

PRODUCT INFORMATION PACKET

Model No: 056H17T2012
Catalog No: Y501
1/4, 1800, TENV, 56C, 3/60/230
1000:1 Speed Ratio



Regal and Marathon are trademarks of Regal Beloit Corporation or one of its affiliated companies.
©2018 Regal Beloit Corporation, All Rights Reserved. MC017097E





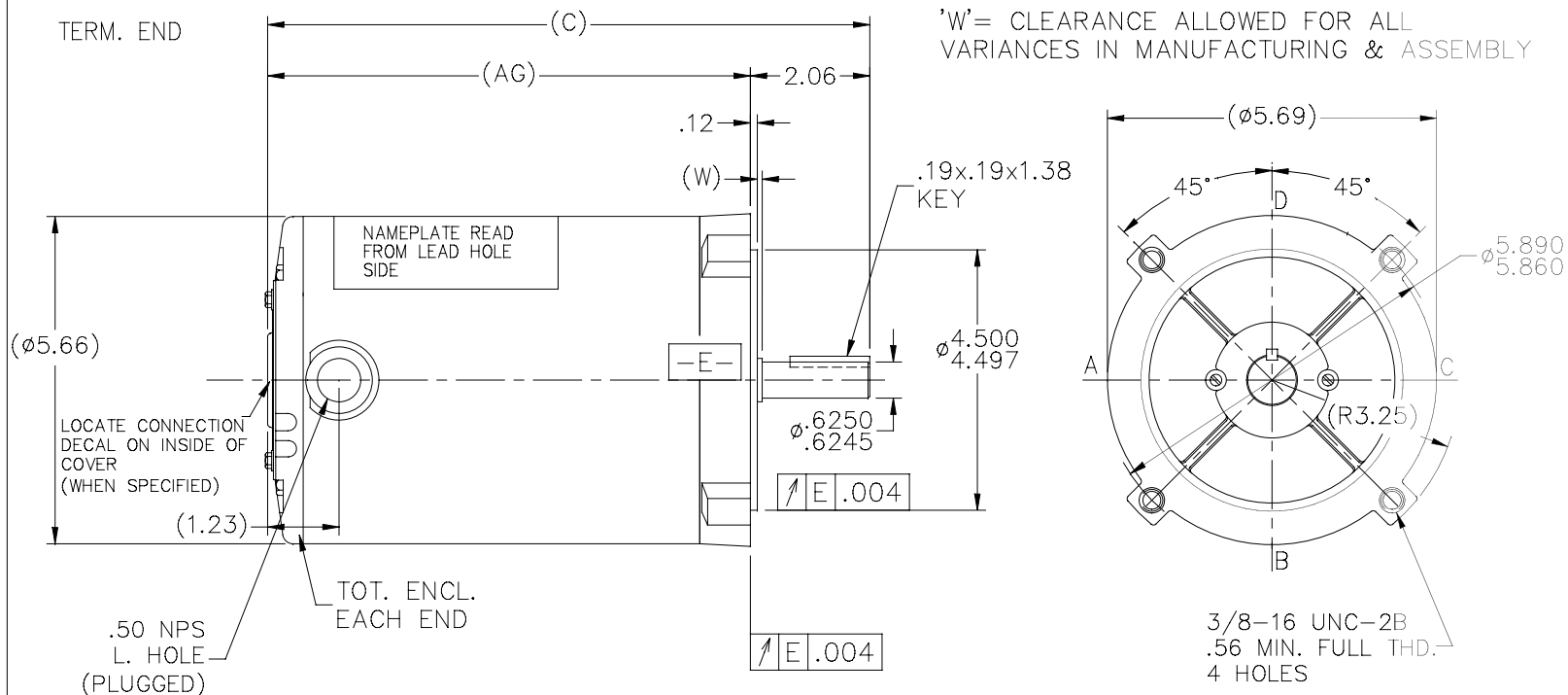
Nameplate Specifications

Output HP	0.25 Hp	Output KW	0.19 kW
Frequency	60 Hz	Voltage	230 V
Current	1 A	Speed	1725 rpm
Service Factor	1	Phase	3
Efficiency	72 %	Duty	CONTINUOUS
Insulation Class	H	Design Code	INV
KVA Code	M	Frame	56C
Enclosure	TENV	Overload Protector	NOT
Ambient Temperature	40 °C	Drive End Bearing Size	6203
Opp Drive End Bearing Size	6203	UL	Recognized
CSA	Y	CE	Y
IP Code	43		

Technical Specifications

Electrical Type	SQ CAGE INV DUTY	Starting Method	INVERTER ONLY
Poles	4	Rotation	REV
Mounting	ROUND	Motor Orientation	HORIZONTAL
Drive End Bearing	BALL	Opp Drive End Bearing	BALL
Frame Material	ROLLED STEEL	Shaft Type	STANDARD 56
Overall Length	9.91 in	Frame Length	6.25 in
Shaft Diameter	0.63 in	Shaft Extension	2.06 in
Assembly/Box Mounting	F1 ONLY		
Outline Drawing	A-SS400214-625	Connection Diagram	A-EE7300HX

This is an uncontrolled document once printed or downloaded and is subject to change without notice. Date Created: 04/05/2018

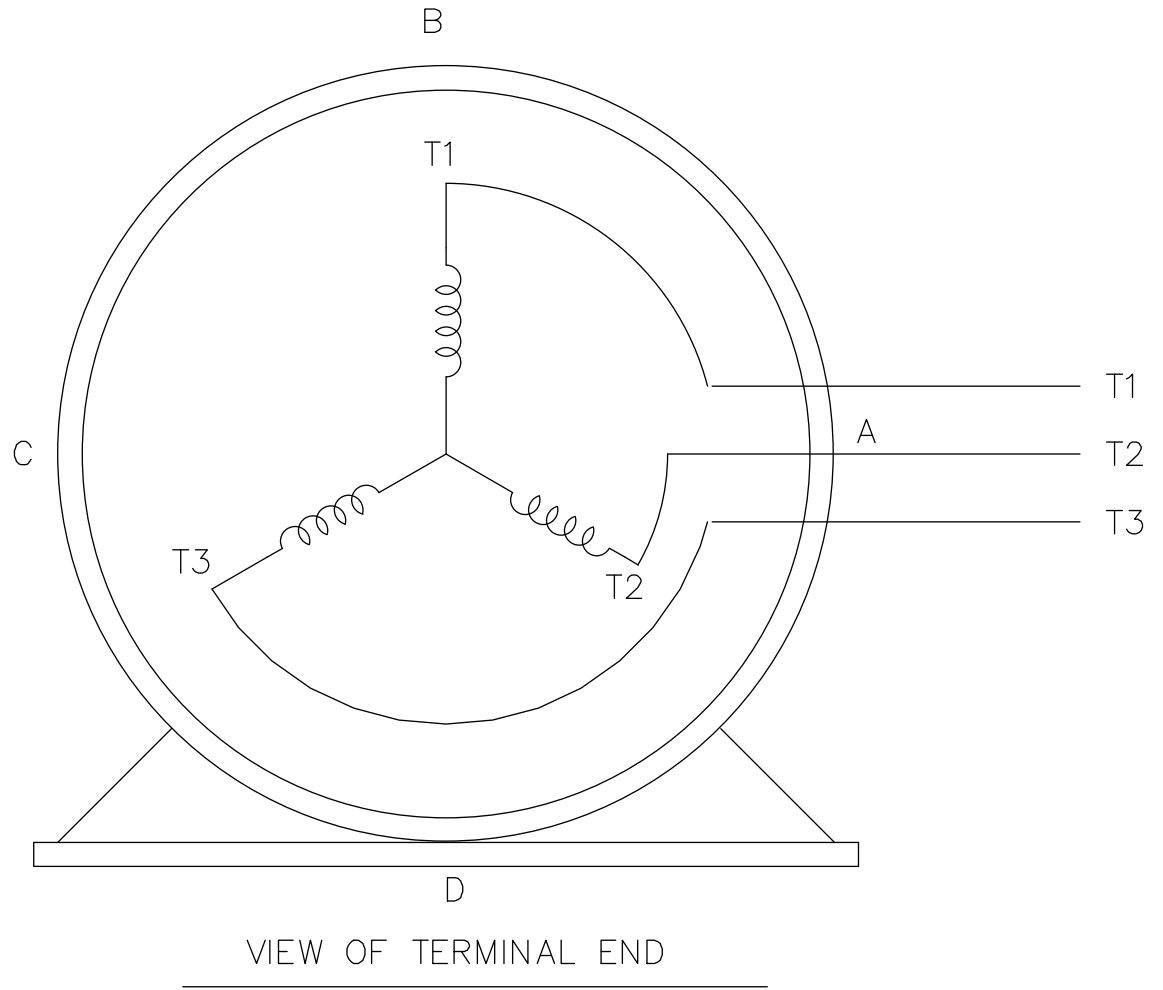


DASH		C	AG		DASH		C	AG		DASH		C	AG	
525	10-20-2004	8.91	6.85											
550	01-16-2002	9.16	7.10		650		10.16	8.10		725		10.91	8.85	
600		9.66	7.60		675		10.41	8.35		750		11.16	9.10	
625		9.91	7.85		700		10.66	8.60		775		11.41	9.35	

6	CONNECTION DECAL NOTE ADDED PER ECO-0089570	KIR 11/26/15	KK	TOLERANCES UNLESS SPECIFIED		DRAWN BRH 05-17-1996
5	REVISED "C" & "AG" DIMS ISAAC10-2047	TJW 7/27/2010	CTO	DEC. INCHES		CHK ML 05-21-1996
4	ADDED DASH 525 MU62602	RJW 10-20-2004	MJS	.X ±.1	APPD SAT 05-21-1996	
3	REDRAWN IN AUTOCAD	TAT 07-06-2004	ML	.XX ±.03	SCALE 3=8	
2	REVISED NAMEPLATE LOCATION CN 34681	NJS 02-19-2002		.XXX ±.005	REF	
1	NEW DRAWING 4397198	BRH 05-24-1996		.XXXX ±.0005	FMF	
NO.	REVISION	BY & DATE	CHK	ANG ±'30"	PREV	
THIS DRAWING IN DESIGN AND DETAIL IS OUR PROPERTY AND MUST NOT BE USED EXCEPT IN CONNECTION WITH OUR WORK ALL RIGHTS OF DESIGN AND INVENTION ARE RESERVED THIS IS AN ELECTRONICALLY GENERATED DOCUMENT - DO NOT SCALE THIS PRINT				RFP	CAD FILE ss400214	SIZE A
				DIST WP		DRAWING NO. SS400214
						PAGE 3 OF 6
						REV. 6

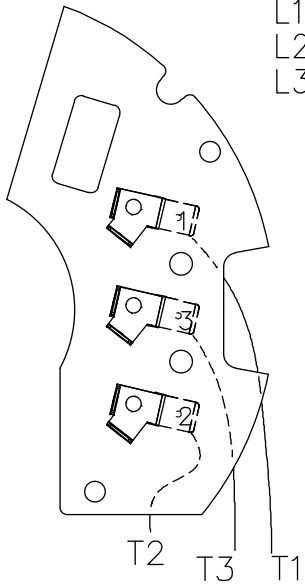
THREE PHASE – SINGLE VOLTAGE MOTOR

TO REVERSE ROTATION:
INTERCHANGE ANY TWO LINE
LEAD CONNECTIONS



TERMINAL BOARD
WHEN SPECIFIED

L1 TO 1
L2 TO 2
L3 TO 3



NO.	REVISION	BY & DATE	CHK	TOLERANCES UNLESS SPECIFIED		FINISH	DRAWN NJS 06-18-2001			
				DEC.	INCHES			CHK	ML 06-19-2001	
				.X	±.1		APPD GK 06-19-2001			
3	UPDATED TERMINAL BOARD COMMENT	UD 11/12/13	BV	.XX	±.02	TITLE CONNECTION DIAGRAM SINGLE VOLT – 3Ø MOTOR	SCALE 1=1			
2	REDRAWN IN AUTOCAD	TAT 08-02-2004	ML	.XXX	±.005		REF			
1	NEW DRAWING MU37179	NJS 06-19-2001		.XXXX	±.0005		FMF			
				ANG	±7'30"		PREV			
THIS DRAWING IN DESIGN AND DETAIL IS OUR PROPERTY AND MUST NOT BE USED EXCEPT IN CONNECTION WITH OUR WORK ALL RIGHTS OF DESIGN AND INVENTION ARE RESERVED THIS IS AN ELECTRONICALLY GENERATED DOCUMENT – DO NOT SCALE THIS PRINT				RFP	CAD FILE ee7300hx		SIZE A	DRAWING NO. EE7300HX	PAGE OF	REV. 3
				DIST						



CERTIFICATION DATA SHEET

Model#: 56H17T2012 A WINDING#: TE48428 R2 2
 CONN. DIAGRAM: A-EE7300HX ASSEMBLY: F1 ONLY
 OUTLINE: A-SS400214-625

TYPICAL MOTOR PERFORMANCE DATA

HP	KW	SYNC. RPM	F.L. RPM	FRAME	ENCLOSURE	KVA CODE	DESIGN
1/4	0.19	1800	1725	56C	TENV	M	INV

PH	Hz	VOLTS	FL AMPS	START TYPE	DUTY	INSL	S.F	AMB°C	ELEVATION
3	60	230	1.0	INVERTER ONLY	CONTINUOUS	H1	1.0	40	3300

FULL LOAD EFF: 72	3/4 LOAD EFF: 70	1/2 LOAD EFF: 62.5	GTD. EFF	ELEC. TYPE	NO LOAD AMPS
FULL LOAD PF: 65	3/4 LOAD PF: 57	1/2 LOAD PF: 45	68.5	SQ CAGE INV DUTY	.7

F.L. TORQUE	LOCKED ROTOR AMPS	L.R. TORQUE	B.D. TORQUE	F.L. RISE°C
0.76 LB-FT	7	3.5 LB-FT 461	3.7 LB-FT 487	45

SOUND PRESSURE @ 3 FT.	SOUND POWER	ROTOR WK^2	MAX. WK^2	SAFE STALL TIME	STARTS /HOUR	APPROX. MOTOR WGT
62 dBA	72 dBA	0.04 LB-FT^2	- LB-FT^2	- SEC.	-	- LBS.

EQUIVALENT WYE CKT.PARAMETERS (OHMS PER PHASE)

R1	R2	X1	X2	XM
36.987471	28.591542	36.30672	17.1322335	680.751
RM	ZREF	XR	TD	TD0
21670.5735	1134.585	1.3	0.004	0.065

*** SUPPLEMENTAL INFORMATION ***

DE BRACKET TYPE	ODE BRACKET TYPE	MOUNT TYPE	ORIENTATION	SEVERE DUTY	HAZARDOUS LOCATION	DRIP COVER	SCREENS	PAINT
C-FACE	STANDARD	ROUND	HORIZONTAL	FALSE	NONE	FALSE	NONE	BLACK (POWDER)

BEARINGS		GREASE	SHAFT TYPE	SPECIAL DE	SPECIAL ODE	SHAFT MATERIAL	FRAME MATERIAL
DE	OPE						
BALL	BALL	POLYREX EM	STANDARD 56	NONE	NONE	1144 STRESSPROOF (C-223)	ROLLED STEEL
6203	6203						

THERMO-PROTECTORS				THERMISTORS	CONTROL	SPACE /n HEATERS
THERMOSTATS	PROTECTORS	WDG RTDs	BRG RTDs			
NONE	NOT	NONE	NONE	NONE	FALSE	NONE VOLTS

If Inverter equals NONE, contact factory for further information

*
N
O
T
E
S
*

INVERTER TORQUE: CONSTANT 1000:1
INV. HP SPEED RANGE: 2.0 X BASE SPEED
ENCODER: NONE
NONE NONE
NONE NONE PPR
BRAKE: NONE NONE

NONE	P/N	NONE	
NONE	NONE		
NONE FT-LB	NONE V	NONE Hz	

DATE: 06/28/2017 01:11:04 AM
FORM 3531 REV.3 02/07/99
** Subject to change without notice.