

PRODUCT INFORMATION PACKET

Model No: 5KCR49SN3009X
Catalog No: C1478
1-1/3,1725/1140,DP,56,1/60/115
Open Drip Proof (ODP)



Regal and Marathon are trademarks of Regal Beloit Corporation or one of its affiliated companies.
©2018 Regal Beloit Corporation, All Rights Reserved. MC017097E





Nameplate Specifications

Output HP	1,0.33 Hp	Output KW	0.75 kW
Frequency	60 Hz	Voltage	115 V
Current	10.8,7.4 A	Speed	1725,1140 rpm
Service Factor	1.15	Phase	1
Efficiency	70 %	Duty	CONT
Insulation Class	B	KVA Code	J
Frame	56	Enclosure	DP
Overload Protector	AUTO	Ambient Temperature	40 °C
Drive End Bearing Size	6203	Opp Drive End Bearing Size	6203
UL	Recognized	CSA	Yes
CE	N		

Technical Specifications

Electrical Type	Capacitor Start Capacitor Run(CSCR)	Starting Method	SM
Poles	4	Rotation	CCW/CW
Mounting	RB	Motor Orientation	ANY
Drive End Bearing	BALL	Opp Drive End Bearing	BALL
Frame Material	Rolled Steel	Overall Length	12.01 in
Frame Length	7.68 in	Shaft Diameter	0.63 in
Shaft Extension	1.88 in		
Outline Drawing	52A109607P3	Connection Diagram	52A105385AF

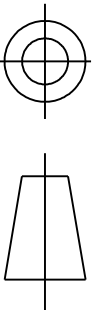
This is an uncontrolled document once printed or downloaded and is subject to change without notice. Date Created: 04/05/2018



REVISIONS

REV.	DESCRIPTION	DATE	APPROVED
6	ADDED PT#6 PER DS11-1413 REDESIGN	06/15/2011	BHASKAR

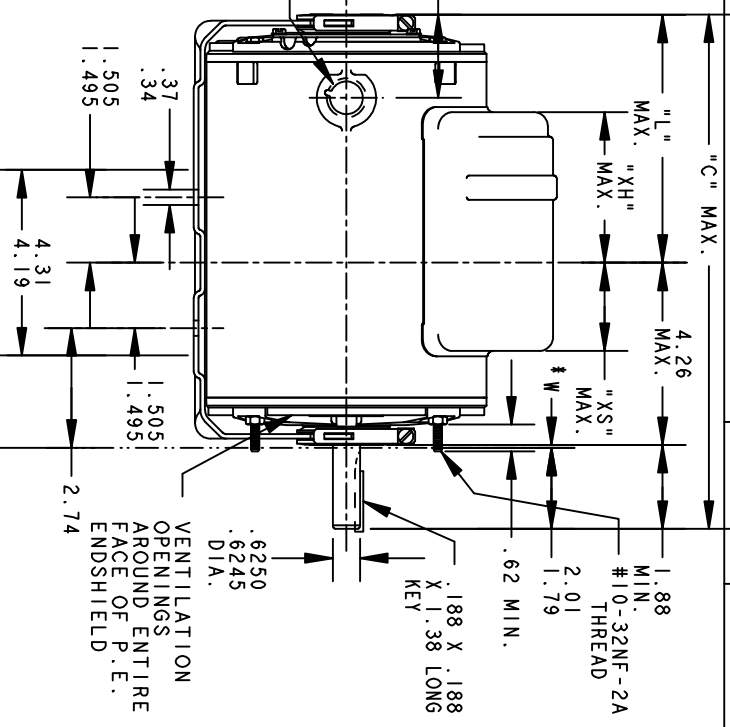
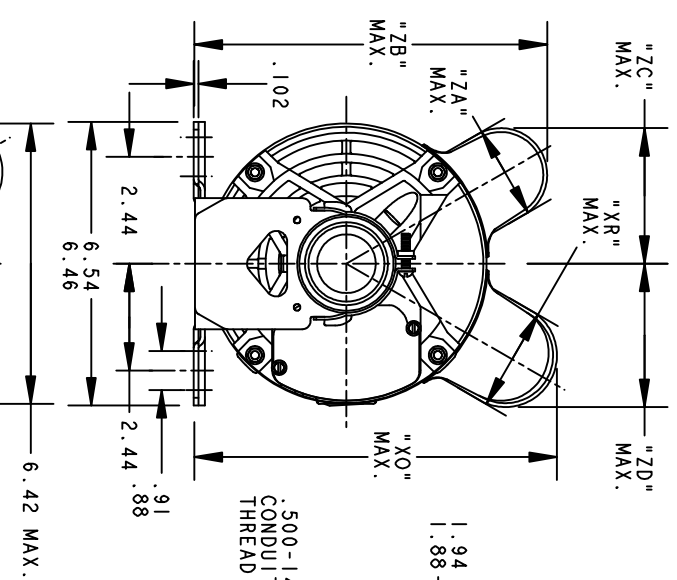
THIRD ANGLE PROJECTION



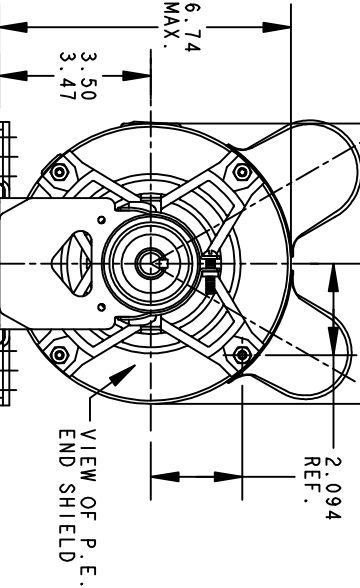
SHEET 1
REV

52A109607

DRAWING NO. A
SIZE A



*W IS A VARIABLE CLEARANCE DUE TO VARIATIONS IN PARTS AND ASSEMBLY



6	KCR	49	56	12.01	6.75	3.62	8.16	2.10	2.30	2.10	8.16	3.15	3.15	7.68
5	KCR	48	56	12.54	6.50	4.37	7.92	1.60	2.39	2.10	8.16	3.15	3.16	8.43
4	KC	46	56	10.78	4.62	2.92	7.81	1.60	2.82	2.15	8.18	3.20	2.89	6.55
3	KCR	49	56	12.01	5.75	3.62	7.74	1.60	2.30	2.10	8.16	3.15	2.80	7.68
2	KCR	49	56	11.48	5.22	3.48	8.16	2.40	2.26	2.10	8.16	3.15	3.30	7.15
1	KCR	49	56	11.48	5.22	3.48	7.56	1.60	2.26	2.10	8.16	3.15	3.09	7.15
P	TYPE	GE SIZE	NEMA FR	"C"	"L"	"XH"	"XO"	"XR"	"XS"	"ZA"	"ZB"	"ZC"	"ZD"	MIN. SHELL

REGAL-BELOIT CORPORATION

TITLE
40 FRAME REDESIGN - GENERAL PURPOSE MOTOR - DRIP PROOF - BALL BEARING - RESILIENT BASE FWF: SKCR49PN3012X

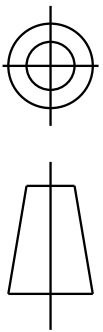
OUTLINE

SIZE DRAWING A

52A109607

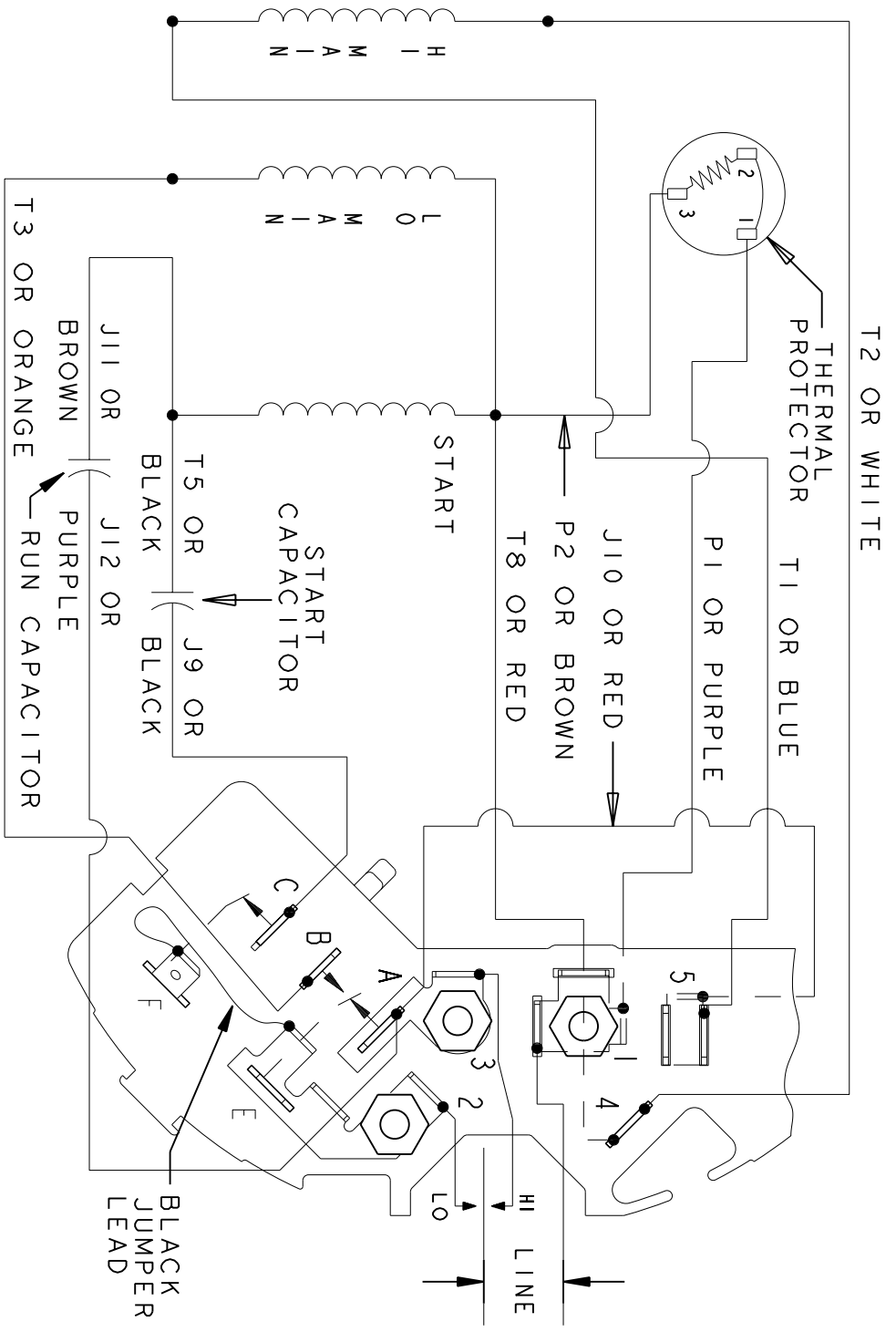
SIGNATURES		DATE
MODEL	MA MARKS	04/08/94
DETAIL		
CHECKED		
ENGRG		
MFG		
QUALITY		
ISSUED	M.D. PAPER	02/11/00
FOR ADDITIONAL INFO REFER TO:		
APPLIED DIMENSIONS ARE IN INCHES		
MATERIAL		

SCALE: 0.250 REF. No. SHEET 1 of 1



REV.	DESCRIPTION	DATE	APPROVED
1	UPDATED FORMAT	12/19/05	MAM

EITHER ROTATION
 SINGLE VOLTAGE
 TYPE KC WITH
 THERMAL PROTECTOR
 2 SPEED
 POLE CHANGING
 (HI SPEED START WINDING)



NOTE #1 - TO REVERSE ROTATION INTERCHANGE BLUE (T1) AND WHITE (T2) LEADS.

NOTE #2 - WHEN MORE THAN ONE CAPACITOR IS USED CONNECT IN PARALLEL.

REF. DIAG. - 52A101511 SWITCH (D) - 115D958BA CONNECTION LABEL - 52X332052

SIGNATURES		DATE	
MODEL	B. JOHNSON	08/19/92	
DETAIL			
CHECKED			
ENGRG			
MFG			
FOR ADDITIONAL INFO REFER TO:			
APPLIED PRACTICES	ISSUED	QUALITY	
	B.L.J.	08/19/92	
DIMENSIONS ARE IN INCHES			
MATERIAL	SOLID MODEL: 52A105385AF	SCALE: 1.000	REF. No.:

		REGAL-BELOTT CORPORATION	
CONNECTION DIAGRAM			
TITLE		FMF: 5KCR49ZN3003T	
SIZE DRAWING A		52A105385AF	
SCALE: 1.000		REF. No.:	
SHEET 1 of 1		REV 1	