

# PRODUCT INFORMATION PACKET

Model No: 5KH32FN3123X  
Catalog No: HG121  
1/4, 1725, TEFC, 48, 1/60/115  
Totally Enclosed Fan Cooled (TEFC)



Regal and Marathon are trademarks of Regal Beloit Corporation or one of its affiliated companies.  
©2018 Regal Beloit Corporation, All Rights Reserved. MC017097E





### Nameplate Specifications

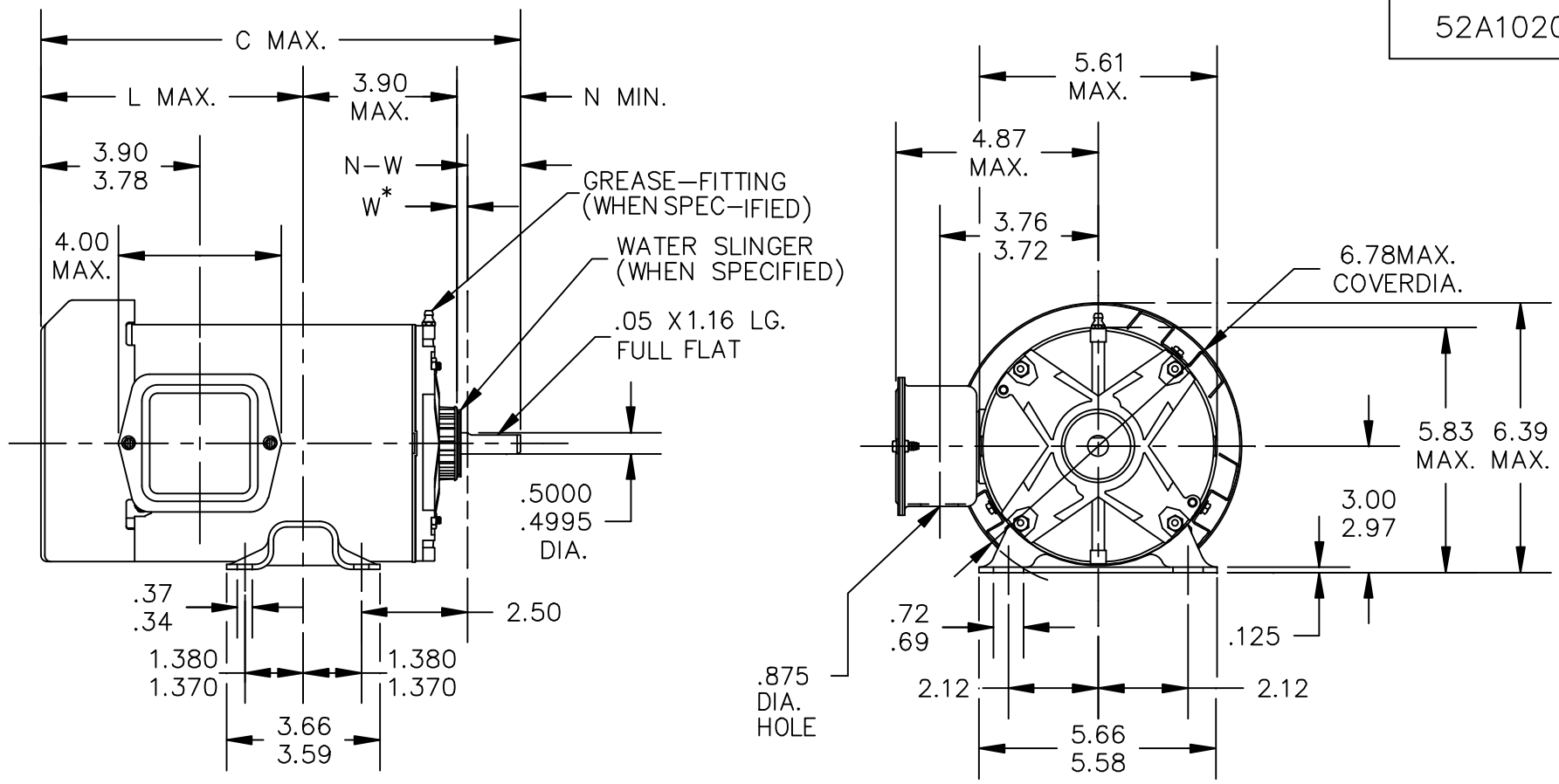
Output HP	<b>0.25 Hp</b>	Output KW	<b>0.19 kW</b>
Frequency	<b>60 Hz</b>	Voltage	<b>115 V</b>
Current	<b>5.1 A</b>	Speed	<b>1725 rpm</b>
Service Factor	<b>1</b>	Phase	<b>1</b>
Efficiency	<b>55.7 %</b>	Duty	<b>CONT</b>
Insulation Class	<b>B</b>	KVA Code	<b>R</b>
Frame	<b>48</b>	Enclosure	<b>TEFC</b>
Overload Protector	<b>AUTO</b>	Ambient Temperature	<b>40 °C</b>
Drive End Bearing Size	<b>6203</b>	Opp Drive End Bearing Size	<b>6203</b>
UL	<b>Recognized</b>	CSA	<b>Yes</b>
CE	<b>N</b>		

### Technical Specifications

Electrical Type	<b>Split Phase</b>	Starting Method	<b>SM</b>
Poles	<b>4</b>	Rotation	<b>CCW/CW</b>
Mounting	<b>WB</b>	Motor Orientation	<b>ANY</b>
Drive End Bearing	<b>BALL</b>	Opp Drive End Bearing	<b>BALL</b>
Frame Material	<b>Rolled Steel</b>	Overall Length	<b>9.92 in</b>
Frame Length	<b>5.16 in</b>	Shaft Diameter	<b>0.5 in</b>
Shaft Extension	<b>1.5 in</b>		
Outline Drawing	<b>52A102041P1</b>	Connection Diagram	<b>52A105379BA</b>

This is an uncontrolled document once printed or downloaded and is subject to change without notice. Date Created: 04/05/2018

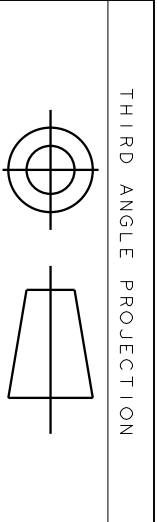
52A102041



W\* IS A CLEARANCE DUE TO VARIATION IN PARTS AND ASSEMBLY

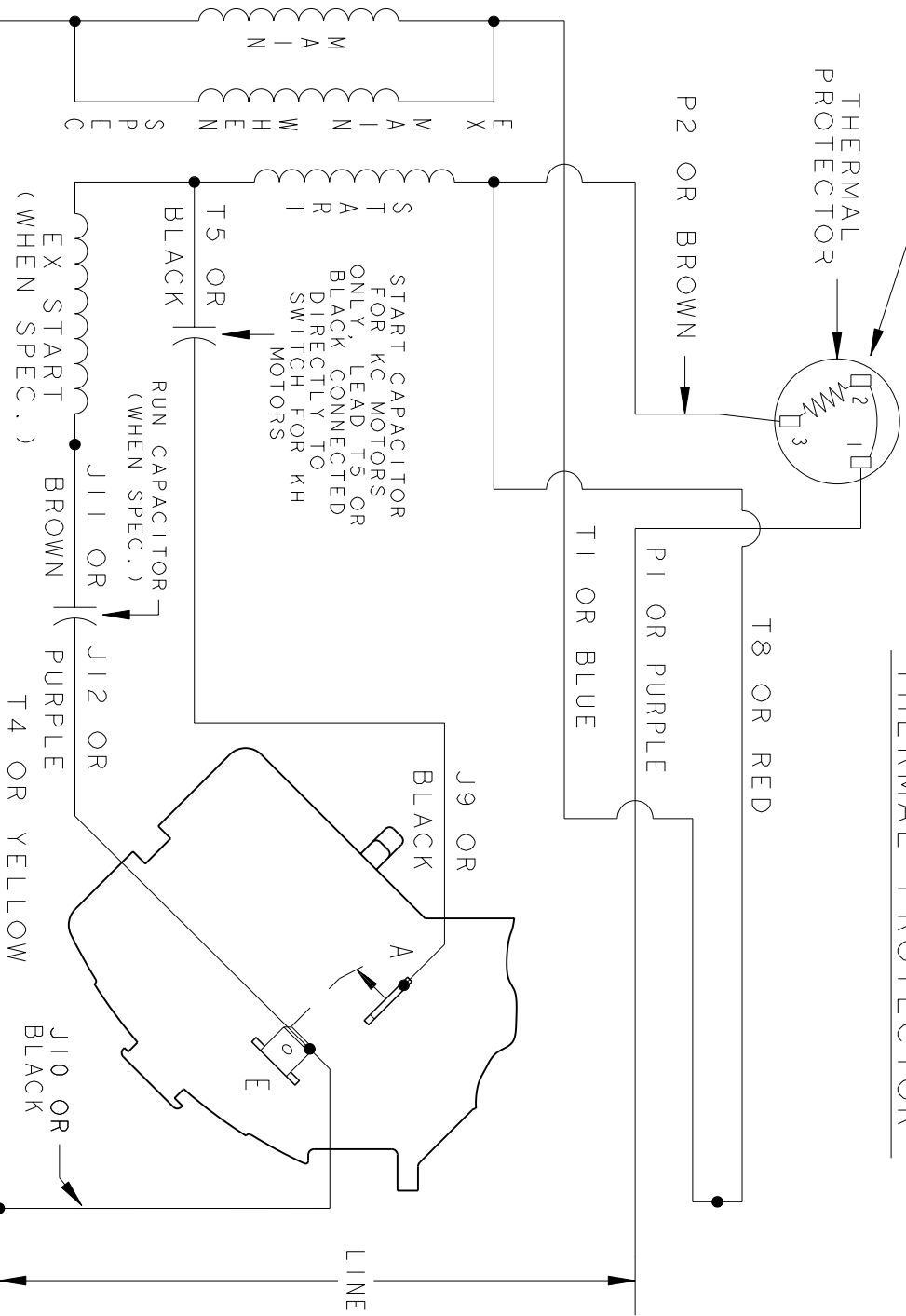
5	K KH	37	48	11.38	6.00	1.50	1.63/1.41											
4	K KH	36	48	10.98	5.60	1.50	1.63/1.41											
3	K KH	35	48	10.55	5.17	1.50	1.63/1.41	8	K KH	39	48	9.67	4.29	1.50	1.63/1.41	4.91		
2	K KH	33	48	10.17	4.79	1.50	1.63/1.41	7	K KH	32	48Z	10.92	4.54	2.50	2.63/2.41			
1	K KH	32	48	9.92	4.54	1.50	1.63/1.41	6	K KH	38	48	11.98	6.60	1.50	1.63/1.41			
P	TYPE	RBC SIZE	NEMA FR.	C	L	N	N-W	SHELL LGTH.	P	TYPE	RBC SIZE	NEMA FR.	C	L	N	N-W	SHELL LGTH.	

										TOLERANCES UNLESS SPECIFIED		DRAWN F.P.K 12/13/76							
										DEC.	INCHES	CHK							
										.X	±0.1	APPD M.D.P 05/24/96							
										.XX	±0.02	SCALE 1=1							
12	REDRAWN IN DRAFTSIGHT -NO CHANGES			UD 09/08/12	.XXX	±0.005	TITLE OUTLINE TOTALLY ENCLOSED OUTBOARD FAN-WELDED BASE					REF							
11	PER ISAAC 05-2096			RK 09/05/05	.XXXX	±0.0005						MAT'L.					FMF		
NO.	REVISION			BY & DATE	CHK	ANG	±1.0	FINISH					PREV						
THIS DRAWING IN DESIGN AND DETAIL IS OUR PROPERTY AND MUST NOT BE USED EXCEPT IN CONNECTION WITH OUR WORK ALL RIGHTS OF DESIGN AND INVENTION ARE RESERVED THIS IS AN ELECTRONICALLY GENERATED DOCUMENT - DO NOT SCALE THIS PRINT										RFP	CAD FILE	52A102041	SIZE	DRAWING NO.					REV.
										DIST			A	52A102041					12



REV.	DESCRIPTION	DATE	APPROVED
9	UPDATED FORMAT	12/02/05	MAM

- CCW/CW ROTATION -  
 - SINGLE VOLTAGE -  
 TYPE KC, KCR OR KH WITH  
 THERMAL PROTECTOR



NOTE #1 - TO REVERSE ROTATION INTERCHANGE BLUE (T1) AND YELLOW (T4) LEADS.

NOTE #2 - WHEN MORE THAN ONE CAPACITOR IS USED CONNECT IN PARALLEL.

REF. DIAG. - 113A329

CONNECTION LABEL - 52X332919

SIGNATURES	DATE
MODEL M.D. PAPE	06/29/87
DETAIL	
CHECKED	
ENGRG	
MFG	
QUALITY	
ISSUED	M.D.P. 12/02/94
MATERIAL	SOLID MODEL: 52A105379BA



REGAL-BELOIT CORPORATION

CONNECTION DIAGRAM

FME: 3-FR SWITCH REDESIGN

52A105379BA

SCALE: 1.000	REF. No.:	SHEET 1 of 1
--------------	-----------	--------------