

PRODUCT INFORMATION PACKET

Model No: 5KCR48WN0566Y
Catalog No: C659
1 1/2, 1725, TEFC, 56H, 1/60/115/208-230
Totally Enclosed Fan Cooled (TEFC)



Regal and Marathon are trademarks of Regal Beloit Corporation or one of its affiliated companies.
©2018 Regal Beloit Corporation, All Rights Reserved. MC017097E



Nameplate Specifications

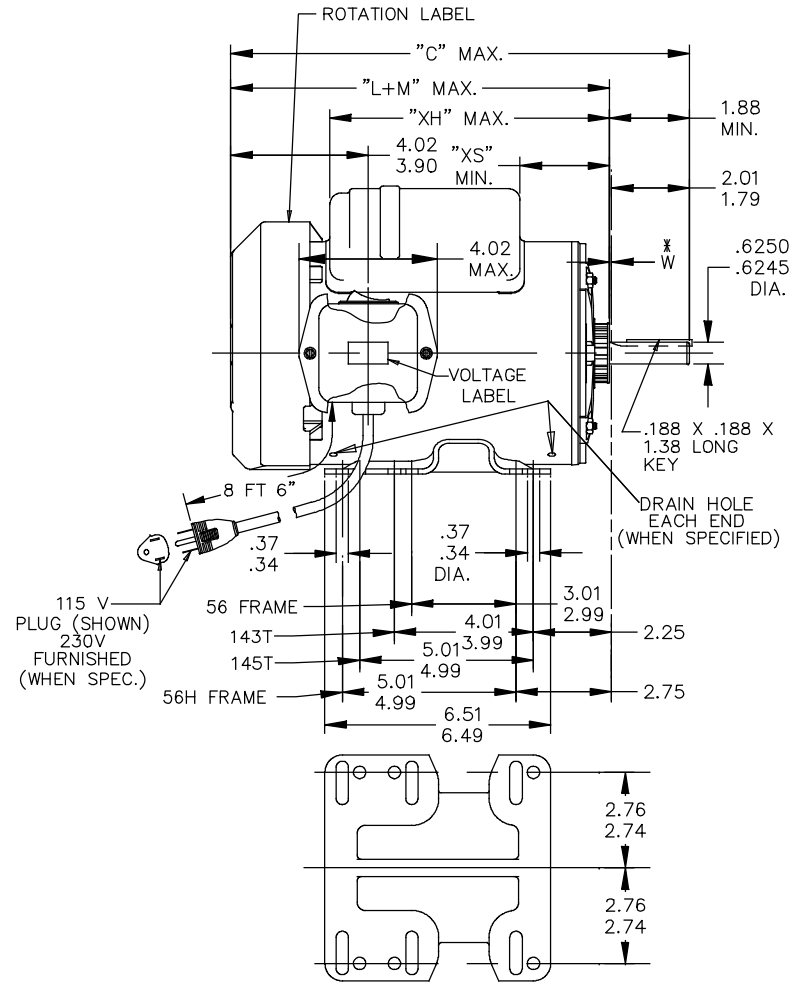
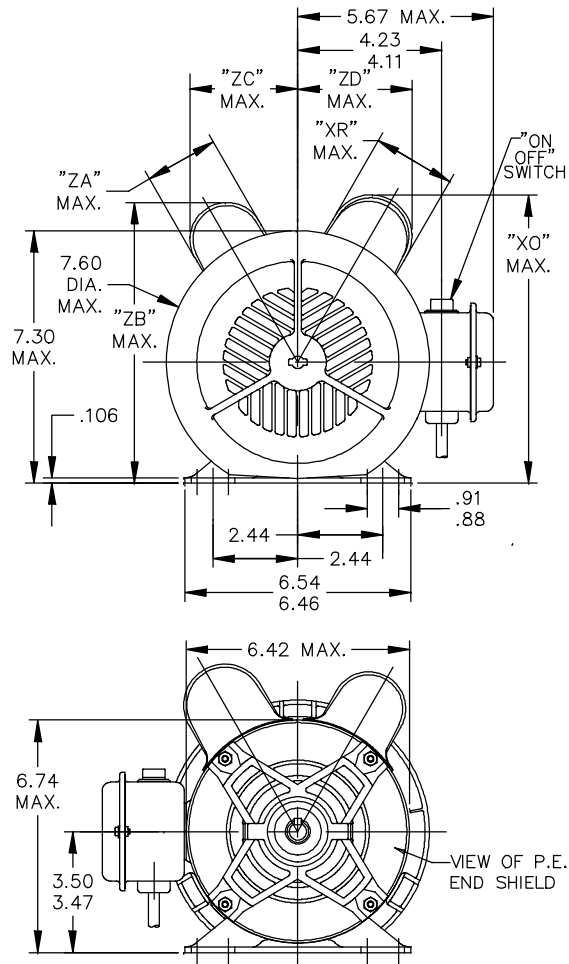
Output HP	1.5 Hp	Output KW	1.12 kW
Frequency	60 Hz	Voltage	115/208-230 V
Current	14.5,7.1-7.3 A	Speed	1725 rpm
Service Factor	1.15	Phase	1
Efficiency	76.5 %	Duty	CONT
Insulation Class	B	KVA Code	K
Frame	56H	Enclosure	TEFC
Overload Protector	MAN	Ambient Temperature	40 °C
Drive End Bearing Size	6205	Opp Drive End Bearing Size	6203
UL	Recognized	CSA	Yes
CE	N		

Technical Specifications

Electrical Type	Capacitor Start Capacitor Run(CSCR)	Starting Method	SM
Poles	4	Rotation	CCW/CW
Mounting	WB	Motor Orientation	ANY
Drive End Bearing	BALL	Opp Drive End Bearing	BALL
Frame Material	Rolled Steel	Overall Length	13.82 in
Frame Length	8.43 in	Shaft Diameter	0.63 in
Shaft Extension	1.88 in		
Outline Drawing	52A110620P1	Connection Diagram	52A105383BB

This is an uncontrolled document once printed or downloaded and is subject to change without notice. Date Created: 04/05/2018

52A110620



115 V
PLUG (SHOWN)
230V
FURNISHED
(WHEN SPEC.)

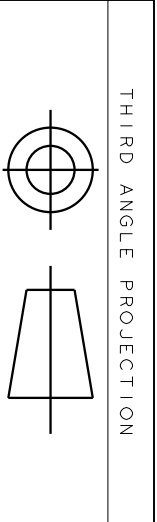
56 FRAME
143T
145T
56H FRAME

* W IS A VARIABLE CLEARANCE
DUE TO VARIATIONS IN
PARTS AND ASSEMBLY

ALL DIMENSIONS ARE IN INCHES

1	KCR	48	56H	13.82	11.82	7.72	8.77	2.72	2.03	2.10	8.15	3.14	3.63	8.43
P	TYPE	GE SIZE	NEMA FR.	"C"	"L+M"	"XH"	"XO"	"XR"	"XS"	"ZA"	"ZB"	"ZC"	"ZD"	MIN. SHELL

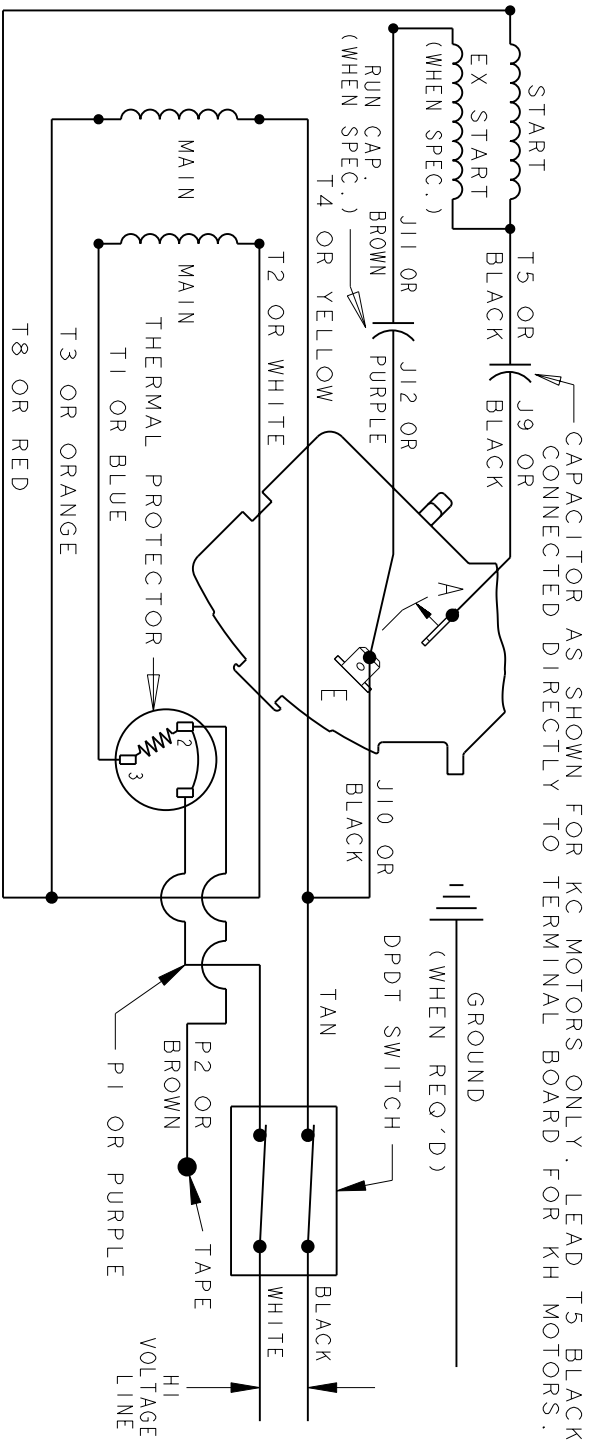
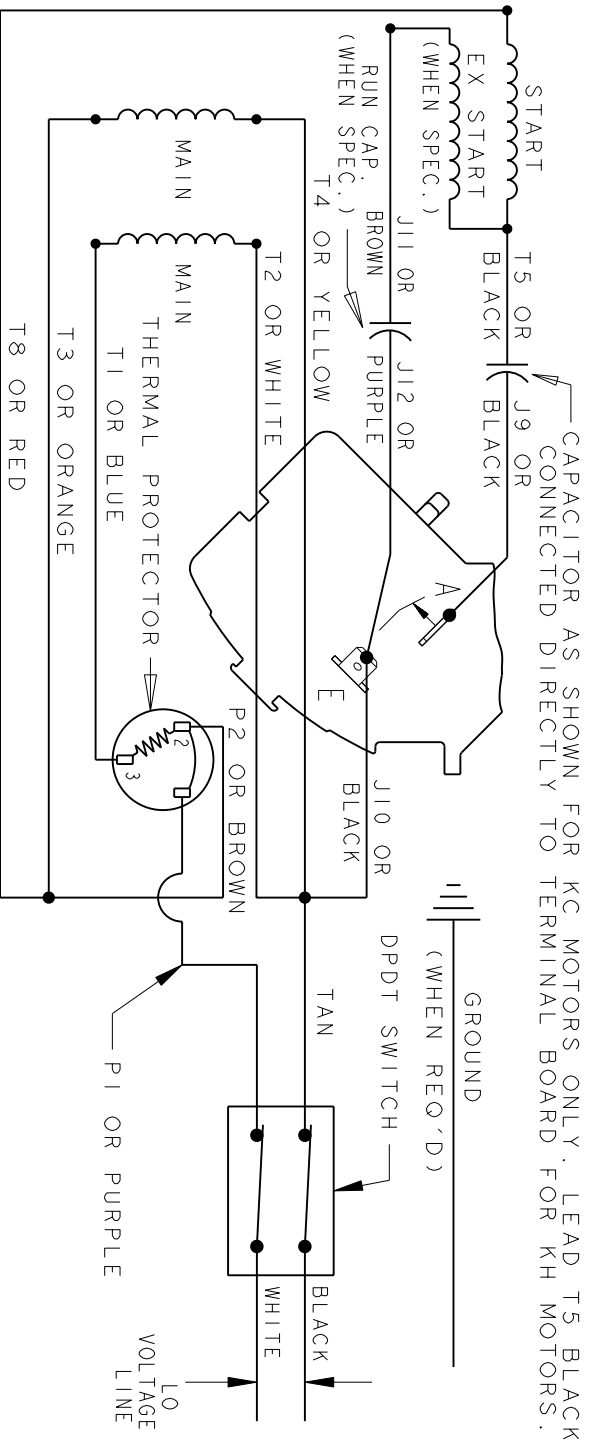
		TOLERANCES UNLESS SPECIFIED		REGAL™ Regal Beloit America, Inc.		DRAWING NO. 09/19/00	
		DEC.		CHK		APPD M.D.PAPE 09/19/00	
		.X ±.1		TITLE		SCALE 1=1	
		.XX ±.03		GENERAL PURPOSE MTR-TEFC-BALL BEARING-WELDED BASE		REF	
3	ADDED DRAIN HOLES PER ECO-0136529	SN 12/19/17	SN .XXX ±.005	MAT'L.		FMF 40 FR DESIGN	
2	CHG TO RBC FORMAT PER IS05-1777	SUD 04/24/06	SUD .XXXX ±.0005	FINISH		PREV	
NO.	REVISION	BY & DATE	CHK ANG ±7'30"	CAD FILE 52A110620		SIZE A	DRAWING NO. 52A110620
THIS DRAWING IN DESIGN AND DETAIL IS OUR PROPERTY AND MUST NOT BE USED EXCEPT IN CONNECTION WITH OUR WORK ALL RIGHTS OF DESIGN AND INVENTION ARE RESERVED THIS IS AN ELECTRONICALLY GENERATED DOCUMENT - DO NOT SCALE THIS PRINT				RFP	PAGE OF		REV. 3
				DIST			



REVISIONS

REV.	DESCRIPTION	DATE	APPROVED
7	UPDATED FORMAT	01/05/06	MAM

CCW/CW ROTATION - DUAL VOLTAGE
TYPE KC, KH, OR KCR - WITH THERMAL PROTECTOR



NOTE#1 - TO REVERSE ROTATION, INTERCHANGE T8 RED AND J10 BLACK LEADS.
NOTE#2 - WHEN MORE THAN ONE CAPACITOR IS USED, CONNECT IN PARALLEL.

SWITCH (H) - 115D958AA

CONNECTION LABEL - 52X332946

REF. DIAG. - 52A104929

SIGNATURES	DATE
MODEL M.D.P.	05/27/88
DETAIL	.
CHECKED	.
ENGRG	.
MFG	.
QUALITY	M.D.P.
ISSUED	09/18/92
APPLIED PRACTICES	✓
DIMENSIONS ARE IN INCHES	✓
MATERIAL	SOLID MODEL: 52A105383BB



REGAL-BELOIT CORPORATION

CONNECTION DIAGRAM

FME: 5KC36PN435GX

52A105383BB

SIZE DRAWING	A	SCALE: 1.000	REF. No.:	SHEET 1 of 1
TITLE	CONNECTION DIAGRAM			
REV	7			