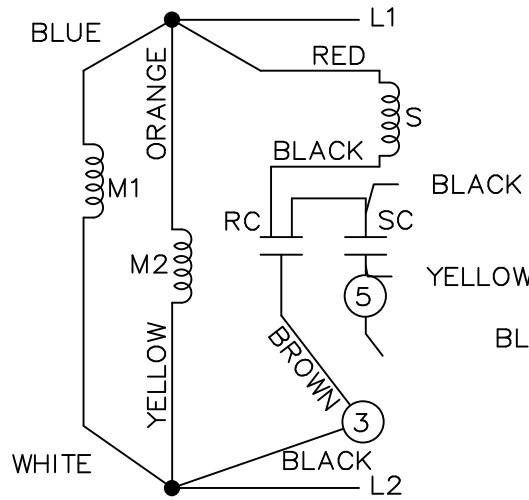
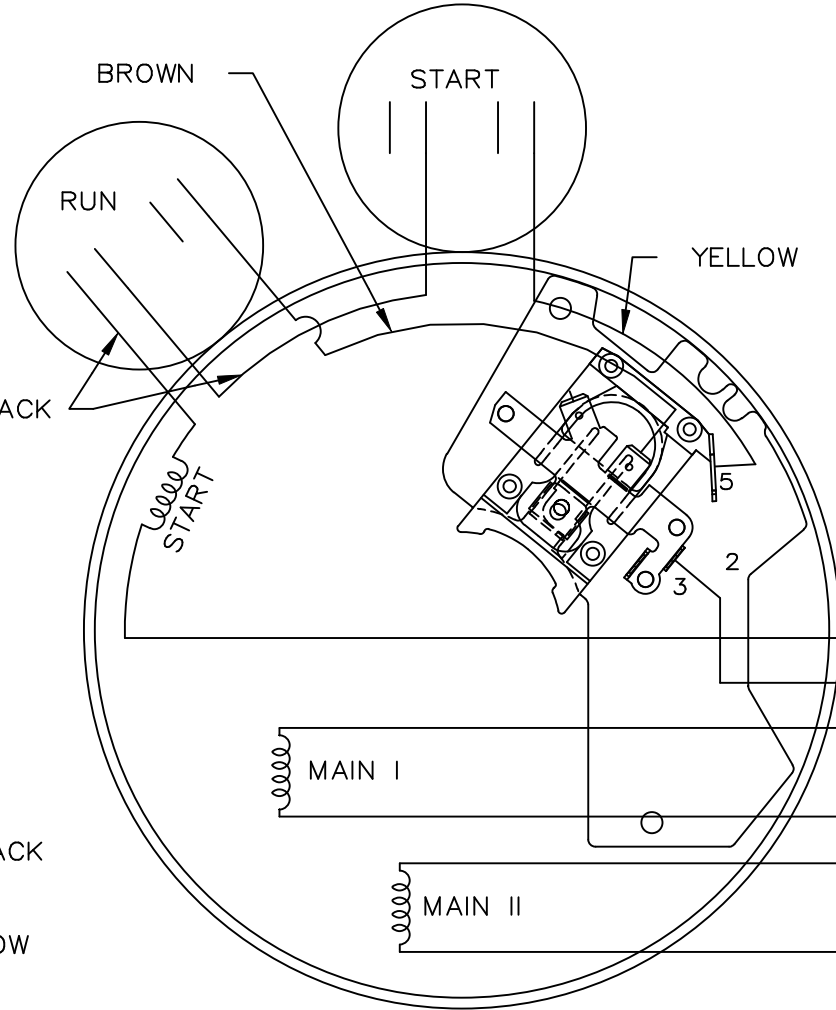
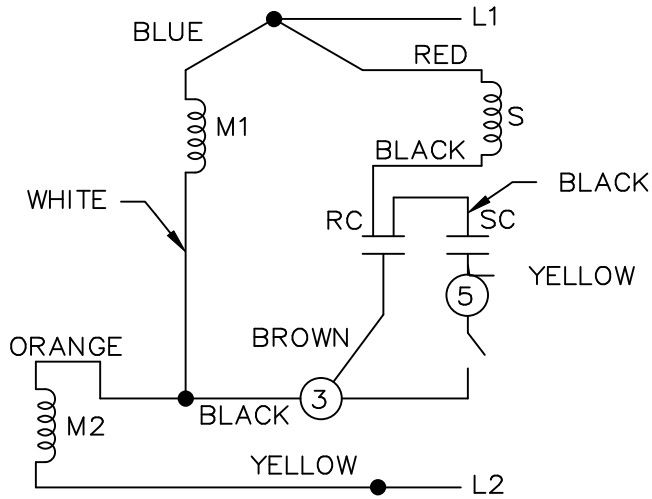


LOW VOLTAGE C.C.W.

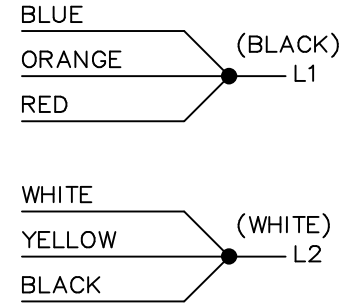


HIGH VOLTAGE C.C.W.

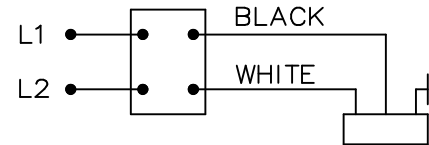
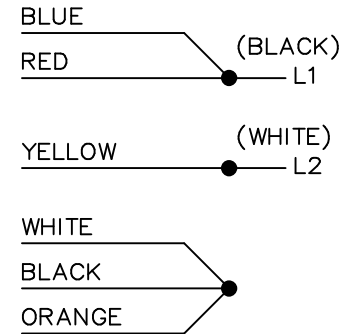


DUAL VOLTAGE CAPACITOR  
START-CAP RUN NO OVERLOAD  
SELECT ROTATION

LOW VOLTAGE C.C.W. ROTATION



HIGH VOLTAGE C.C.W. ROTATION



FOR C.W. ROTATION,  
EITHER VOLTAGE,  
INTERCHANGE RED WITH  
BLACK LEAD

|  |                                    | TOLERANCES UNLESS SPECIFIED |            | MARATHON ELECTRIC        | DRAWN DT 06-07-1996 |                       |
|--|------------------------------------|-----------------------------|------------|--------------------------|---------------------|-----------------------|
|  |                                    | DEC.                        | INCHES     |                          | CHK                 | MRB 06-16-1996        |
|  |                                    | .X                          | ±.1        | TITLE CONNECTION DIAGRAM | APPD GK 06-16-1996  |                       |
|  |                                    | .XX                         | ±.02       |                          | SCALE 5=8           |                       |
| 9  | ADDED CORD AND SWITCH VIEW MU37521 | DRS                         | 06-22-2001 |                          | REF                 |                       |
| 8  | REDRAWN ON CADD                    | DT                          | 06-16-1996 |                          | FMF                 |                       |
| NO.  | REVISION                           | BY & DATE                   | CHK        | ANG                      | FINISH              | PREV                  |
|  |                                    |                             | RFP        |                          | CAD FILE 102006-51  | SIZE A                |
| THIS DRAWING IN DESIGN AND DETAIL IS OUR PROPERTY AND MUST NOT BE USED EXCEPT IN CONNECTION WITH OUR WORK ALL RIGHTS OF DESIGN AND INVENTION ARE RESERVED THIS IS AN ELECTRONICALLY GENERATED DOCUMENT - DO NOT SCALE THIS PRINT |                                    |                             |            | DIST                     | WP                  | DRAWING NO. 102006-51 |
|  |                                    |                             |            |                          |                     | PAGE 9                |
|  |                                    |                             |            |                          |                     | OF 9                  |
|  |                                    |                             |            |                          |                     | REV. 9                |