

PRODUCT INFORMATION PACKET

Model No: 143TTDR16009
Catalog No: GT2003
1 1/2,3600,DP,143JMV,3/60/200
JM



Regal and Marathon are trademarks of Regal Beloit Corporation or one of its affiliated companies.
©2018 Regal Beloit Corporation, All Rights Reserved. MC017097E





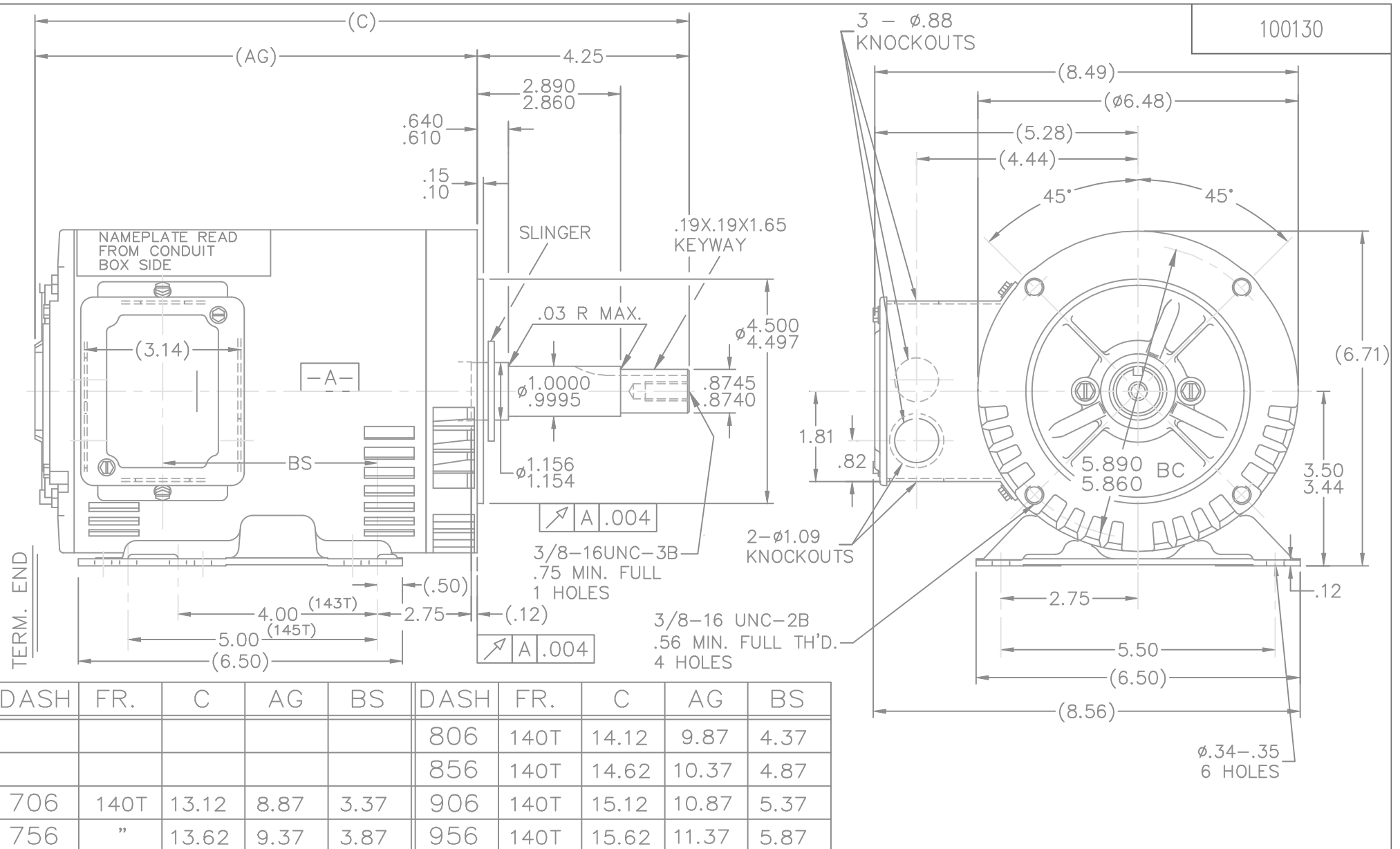
Nameplate Specifications

Output HP	1.5 Hp	Output KW	1.12 kW
Frequency	60 Hz	Voltage	200 V
Current	4.4 A	Speed	3515 rpm
Service Factor	1.15	Phase	3
Efficiency	86.5 %	Duty	CONTINUOUS
Insulation Class	F	Design Code	B
KVA Code	L	Frame	143JM
Enclosure	DP	Overload Protector	NOT
Ambient Temperature	40 °C	Drive End Bearing Size	6206
Opp Drive End Bearing Size	6203	UL	Recognized
CSA	Y	CE	Y
IP Code	22		

Technical Specifications

Electrical Type	SQ CAGE INV RATED	Starting Method	LINE OR INVERTER
Poles	2	Rotation	REV
Mounting	RIGID	Motor Orientation	HORIZONTAL OR SHAFT DOWN
Drive End Bearing	BALL	Opp Drive End Bearing	BALL
Frame Material	ROLLED STEEL	Shaft Type	JM
Overall Length	14.62 in	Frame Length	8.56 in
Shaft Diameter	0.88 in	Shaft Extension	4.25 in
Assembly/Box Mounting	F1 ONLY		
Outline Drawing	A-100130-856	Connection Diagram	A-EE7300

This is an uncontrolled document once printed or downloaded and is subject to change without notice. Date Created: 04/05/2018

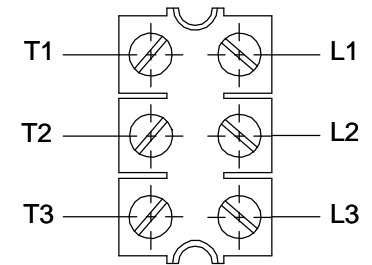


				TOLERANCES UNLESS SPECIFIED		MARATHON ELECTRIC		DRAWN SMC 09-30-1999	
				DEC.	INCHES			CHK	ET 01-24-1999
5	UPDATED DRAWING			RJW 03-28-2007	ML	.X	\pm .1	APPD	ML 01-24-1999
4	REMOVED THE DASH VALUE 656. ECN:9600			NB 11-20-2006		.XX	\pm .03	SCALE	3=8
3	REDRAWN IN AUTOCAD			TAT 07-06-2004	ML	.XXX	\pm .005	REF	
2	ADDED PACKAGING DIMS. CN 27400-456			SMC 09-30-1999		.XXXX	\pm .0005	FMF	
1	REDRAWN ON CADD, ADDED DASH 956 3877534			SMC 01-23-1992		ANG	\pm 7'30"	PREV	
NO.	REVISION			BY & DATE	CHK				
THIS DRAWING IN DESIGN AND DETAIL IS OUR PROPERTY AND MUST NOT BE USED EXCEPT IN CONNECTION WITH OUR WORK ALL RIGHTS OF DESIGN AND INVENTION ARE RESERVED THIS IS AN ELECTRONICALLY GENERATED DOCUMENT - DO NOT SCALE THIS PRINT					RFP	CAD FILE 100130		SIZE	DRAWING NO. PAGE OF REV.
					DIST	WP	A	100130	5

**THREE PHASE - SINGLE VOLTAGE
MOTOR - CONDUIT BOX @ 'A'**

**TO REVERSE ROTATION:
INTERCHANGE ANY TWO
LINE LEAD CONNECTIONS.**

TERMINAL BLOCK WHEN SPECIFIED



VIEW OF TERMINAL END

**IF MOTOR HAS
6 LEADS**



A-9806 DECAL

**OPTIONAL CORD
CONNECTION**

- L1 _____ WHITE _____
- L2 _____ RED _____
- L3 _____ BLACK _____

DRAWING REVISION AB	REVISION BY JJB	DATE 06-27-2017
ECO ECO-0125361	APPROVED BY TB	DATE 06-27-2017
ECO DESCRIPTION UPDATED TO CURRENT STANDARDS		
<small>COPYRIGHT REGAL BELOIT AMERICA, INC. ALL RIGHTS RESERVED. PROPRIETARY AND CONFIDENTIAL INFORMATION - THIS DOCUMENT IS THE PROPERTY OF REGAL BELOIT AMERICA, INC. ("OWNER") AND CONTAINS OWNER'S PROPRIETARY INFORMATION. ANY PERSON, CORPORATION OR OTHER FIRM RECEIVING IT IS DEEMED, BY RECEIVING IT, TO AGREE THAT IT, AND/OR ANY PART OF IT, SHALL NOT BE DISCLOSED TO ANY PERSON, CORPORATION OR OTHER ENTITY, DUPLICATED, AND/OR USED, EXCEPT AS EXPRESSLY APPROVED IN WRITING IN ADVANCE BY OWNER. THIS DOCUMENT SHALL BE RETURNED TO OWNER UPON REQUEST. IT MAY BE SUBJECT TO CERTAIN RESTRICTIONS UNDER APPLICABLE EXPORT CONTROL LAWS AND REGULATIONS.</small>		



DRAWN BY DA
DATE 03-26-1993
APPROVED BY TB
DATE 03-26-1993
REFERENCE
THIRD ANGLE PROJECTION

Regal Beloit America, Inc.		
		DESCRIPTION CONNECTION DIAGRAM EXTERNAL - SINGLE VOLTAGE - 3Ø MOTOR
MATERIAL	PROCESS/FINISH	
SIZE A	DRAWING NUMBER EE7300	SHEET 1 OF 1

Data Sheet

143TDR16009



Submission
Data @ 200 V

Date: 6/19/2017
 Customer:
 Attention:
 Submitted by: FAREEDA DUDEKULA

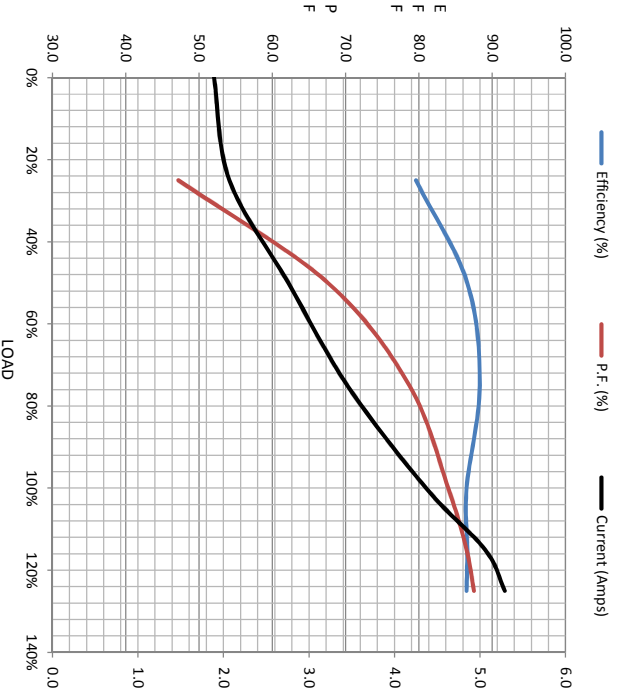
Load	Motor Load Data							
	0%	25%	50%	75%	100%	115%	125%	LR
Current (Amps)	1.89	2.07	2.76	3.5	4.4	5.1	5.3	42.8
Torque (ft-lb)	0.00	0.55	1.10	1.68	2.25	2.60	2.80	6.8
RPM	3600	3580	3560	3540	3515	3505	3495	0
Efficiency (%)		79.6	86.6	88.3	86.5	86.6	86.5	
P.F. (%)	14.3	47.2	67.6	78.7	84.0	86.5	87.5	62.5

Motor Speed Data

	LR	Pull-Up	BD	Rated	Idle
Speed (rpm)	0	215	2700	3515	3600
Current (Amps)	42.8	43.0	26.9	4.4	1.89
Torque (ft-lb)	6.8	5.7	10.0	2.25	0.00

Information Block

HP	1.5			
Sync. RPM	3600			
Frame	143			
Enclosure	DP			
Construction	TDR			
Voltage	200 V			
Frequency	60 HZ			
Design	A			
LR Code letter	L			
Service Factor	1.15			
Temp Rise @ FL	20 °C			
Duty	CONT			
Ambient	40 °C			
Elevation	1,000 feet			
Rotor/Shaft wk ^e	0.00 Lb-Fe			
Rel Wdg	Z1Z168 DR			
Sound Pressure @ 1M	68 dBA			
VFD Rating	CONSTANT 2:1			
Outline Dwg	A-100130-856			
Conn. Diag	A-EEZ300			
Additional Specifications:				
EQUIV CKT (OHMS / PHASE)				
R1	R2	X1	X2	Xm
1.0010	0.7150	1.7520	1.7870	67.9190



Speed - Torque Curve

