

PRODUCT INFORMATION PACKET

Model No: 143TTDR16006
Catalog No: GT2503
1 1/2,3600,DP,143JPV,3/60/575
JP



Regal and Marathon are trademarks of Regal Beloit Corporation or one of its affiliated companies.
©2018 Regal Beloit Corporation, All Rights Reserved. MC017097E



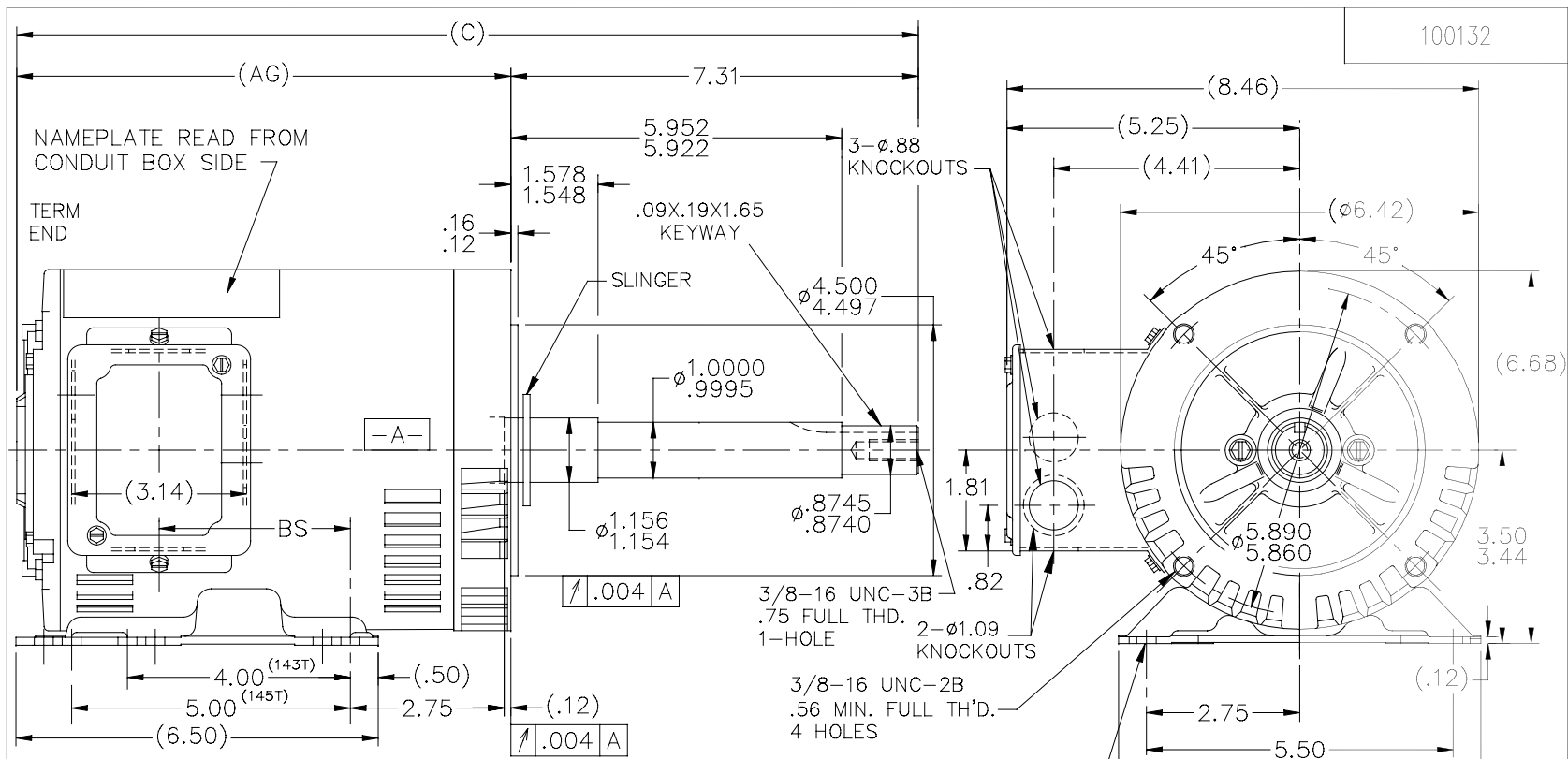


Nameplate Specifications

Output HP	1.5 Hp	Output KW	1.12 kW
Frequency	60 Hz	Voltage	575 V
Current	1.5 A	Speed	3515 rpm
Service Factor	1.15	Phase	3
Efficiency	86.5 %	Duty	CONTINUOUS
Insulation Class	F	Design Code	B
KVA Code	L	Frame	143JP
Enclosure	DP	Overload Protector	NOT
Ambient Temperature	40 °C	Drive End Bearing Size	6206
Opp Drive End Bearing Size	6203	UL	Recognized
CSA	Y	CE	Y
IP Code	22		

Technical Specifications

Electrical Type	SQ CAGE INV RATED	Starting Method	LINE OR INVERTER
Poles	2	Rotation	REV
Mounting	RIGID	Motor Orientation	HORIZONTAL
Drive End Bearing	BALL	Opp Drive End Bearing	BALL
Frame Material	ROLLED STEEL	Shaft Type	JP
Overall Length	17.68 in	Frame Length	8.56 in
Shaft Diameter	0.88 in	Shaft Extension	7.31 in
Assembly/Box Mounting	F1 ONLY		
Outline Drawing	A-100132-856	Connection Diagram	A-EE7300



DASH	FR.	C	AG	BS	DASH	FR.	C	AG	BS
					806	140T	17.18	9.87	4.37
					856	140T	17.68	10.37	4.87
706	140T	16.18	8.87	3.37	906	140T	18.18	10.87	5.37
756	140T	16.68	9.37	3.87	956	140T	18.68	11.37	5.87

NOTES: CONDUIT BOX CAN BE ROT. 180°

NO.	REVISION	BY & DATE	CHK	ANG	TOLERANCES UNLESS SPECIFIED		FINISH	DRAWN BRH 11-02-1995					
					DEC.	INCHES							
9	CHANGED LOGO TO REGAL	SL 09-14-2015	AB	.XX	±.03		TITLE OUTLINE	CHK DA 11-06-1995					
8	REDRAWN IN AUTOCAD	TAT 07-13-2004	ML	.XXX	±.005		140 FR.-BB-DR.PR.-3ø-C' FACE-JP EXT.	APPD GK 11-06-1995					
7	REDRAWN ON CADD	BRH 11-06-1995		.XXXX	±.0005		MAT'L.	SCALE 3=8					
								REF					
								FMF					
								PREV					
THIS DRAWING IN DESIGN AND DETAIL IS OUR PROPERTY AND MUST NOT BE USED EXCEPT IN CONNECTION WITH OUR WORK ALL RIGHTS OF DESIGN AND INVENTION ARE RESERVED THIS IS AN ELECTRONICALLY GENERATED DOCUMENT - DO NOT SCALE THIS PRINT							RFP	CAD FILE 100132	SIZE A	DRAWING NO. 100132	PAGE 3	OF 8	REV. 9
							DIST WP						



**THREE PHASE - SINGLE VOLTAGE
MOTOR - CONDUIT BOX @ 'A'**

**TO REVERSE ROTATION:
INTERCHANGE ANY TWO
LINE LEAD CONNECTIONS.**

TERMINAL BLOCK WHEN SPECIFIED



VIEW OF TERMINAL END

**IF MOTOR HAS
6 LEADS**

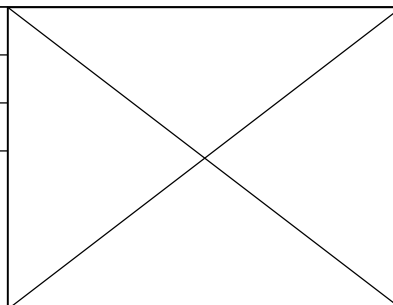


A-9806 DECAL

**OPTIONAL CORD
CONNECTION**



DRAWING REVISION AB	REVISION BY JJB	DATE 06-27-2017
ECO ECO-0125361	APPROVED BY TB	DATE 06-27-2017
ECO DESCRIPTION UPDATED TO CURRENT STANDARDS		
<small>COPYRIGHT REGAL BELOIT AMERICA, INC. ALL RIGHTS RESERVED. PROPRIETARY AND CONFIDENTIAL INFORMATION - THIS DOCUMENT IS THE PROPERTY OF REGAL BELOIT AMERICA, INC. ("OWNER") AND CONTAINS OWNER'S PROPRIETARY INFORMATION. ANY PERSON, CORPORATION OR OTHER FIRM RECEIVING IT IS DEEMED, BY RECEIVING IT, TO AGREE THAT IT, AND/OR ANY PART OF IT, SHALL NOT BE DISCLOSED TO ANY PERSON, CORPORATION OR OTHER ENTITY, DUPLICATED, AND/OR USED, EXCEPT AS EXPRESSLY APPROVED IN WRITING IN ADVANCE BY OWNER. THIS DOCUMENT SHALL BE RETURNED TO OWNER UPON REQUEST. IT MAY BE SUBJECT TO CERTAIN RESTRICTIONS UNDER APPLICABLE EXPORT CONTROL LAWS AND REGULATIONS.</small>		



DRAWN BY DA
DATE 03-26-1993
APPROVED BY TB
DATE 03-26-1993
REFERENCE
THIRD ANGLE PROJECTION

Regal Beloit America, Inc.	
DESCRIPTION CONNECTION DIAGRAM EXTERNAL - SINGLE VOLTAGE - 3Ø MOTOR	
MATERIAL	PROCESS/FINISH
SIZE A	DRAWING NUMBER EE7300
SHEET 1 OF 1	

CERTIFICATION DATA SHEET

Model#: 143TTDR16006 AA WINDING#: ZT2168 DR 4
 CONN. DIAGRAM: A-EE7300 ASSEMBLY: F1 ONLY
 OUTLINE: A-100132-856

TYPICAL MOTOR PERFORMANCE DATA

HP	KW	SYNC. RPM	F.L. RPM	FRAME	ENCLOSURE	KVA CODE	DESIGN			
1 1/2	1.12	3600	3515	143JP	DP	L	B			
PH	Hz	VOLTS	FL AMPS	START TYPE	DUTY	INSL	S.F	AMB°C	ELEVATION	
3	60	575	1.5	LINE OR INVERTER	CONTINUOUS	F3	1.15	40	3300	
FULL LOAD EFF: 86.5		3/4 LOAD EFF: 88.3		1/2 LOAD EFF: 86.6		GTD. EFF		ELEC. TYPE		NO LOAD AMPS
FULL LOAD PF: 84		3/4 LOAD PF: 78.7		1/2 LOAD PF: 67.6		84		SQ CAGE INV RATED		.7
F.L. TORQUE		LOCKED ROTOR AMPS		L.R. TORQUE		B.D. TORQUE		F.L. RISE°C		
2.25 LB-FT		14.9		6.8 LB-FT 302		10 LB-FT 444		20		
SOUND PRESSURE @ 3 FT.	SOUND POWER	ROTOR WK^2	MAX. WK^2	SAFE STALL TIME	STARTS /HOUR	APPROX. MOTOR WGT				
68 dBA	78 dBA	0 LB-FT^2	0 LB-FT^2	10 SEC.	0	0 LBS.				

*** SUPPLEMENTAL INFORMATION ***

DE BRACKET TYPE	ODE BRACKET TYPE	MOUNT TYPE	ORIENTATION	SEVERE DUTY	HAZARDOUS LOCATION	DRIP COVER	SCREENS	PAINT
C-FACE	STANDARD	RIGID	HORIZONTAL	FALSE	NONE	PROVISIONS ONLY	NONE	BLUE (POWDER)
BEARINGS		GREASE	SHAFT TYPE	SPECIAL DE	SPECIAL ODE	SHAFT MATERIAL	FRAME MATERIAL	
DE	OPE	POLYREX EM	JP	NONE	NONE	1144 STRESSPROOF (C-223)	ROLLED STEEL	
BALL	BALL							
6206	6203							
THERMO-PROTECTORS				THERMISTORS	CONTROL	SPACE /n HEATERS		
THERMOSTATS	PROTECTORS	WDG RTDs	BRG RTDs	NONE	FALSE	NONE VOLTS		
NONE	NOT	NONE	NONE					

If Inverter equals NONE, contact factory for further information

*
N
O
T
E
S
*

INVERTER TORQUE: CONSTANT 2:1
INV. HP SPEED RANGE: NONE
ENCODER: NONE
NONE NONE
NONE NONE PPR
BRAKE: NONE NONE
NONE P/N NONE
NONE NONE
- FT-LB NONE V NONE Hz

DATE: 06/22/2017 05:55:17 AM
 FORM 3531 REV.3 02/07/99
 ** Subject to change without notice.

Data Sheet

143TDR16006



Submittal
Data @ 575 V

Date: 6/19/2017
Customer: _____
Attention: _____
Submitted by: FAREEDA DUDEKULA

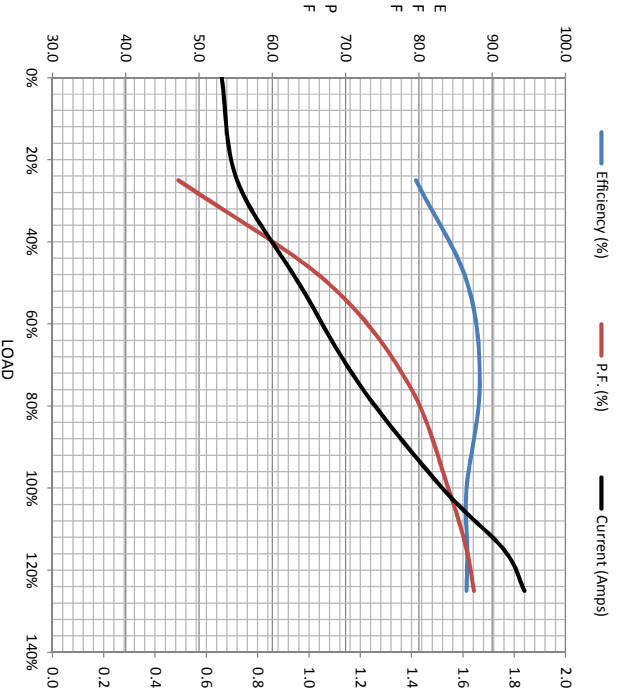
Load	Motor Load Data						
	0%	25%	50%	75%	100%	115%	125%
Current (Amps)	0.66	0.72	0.96	1.20	1.52	1.76	1.84
Torque (ft-lb)	0.00	0.55	1.10	1.68	2.25	2.60	2.80
RPM	3600	3580	3560	3540	3515	3505	3495
Efficiency (%)		79.6	86.6	88.3	86.5	86.6	86.5
P.F. (%)	14.3	47.2	67.6	78.7	84.0	86.5	87.5
						LR	
							14.9

Motor Speed Data

	LR	Pull-Up	BD	Rated	Idle
Speed (rpm)	0	215	2700	3515	3600
Current (Amps)	14.9	15.0	9.4	1.52	0.66
Torque (ft-lb)	6.8	5.7	10.0	2.25	0.00

Information Block

HP	1.5			
Sync. RPM	3600			
Frame	143			
Enclosure	DP			
Construction	TDR			
Voltage	575 V			
Frequency	60 HZ			
Design	A			
LR Code letter	L			
Service Factor	1.15			
Temp Rise @ FL	20 °C			
Duty	CONT			
Ambient	40 °C			
Elevation	1,000 feet			
Rotor/Shaft wkt	0.00 Lb-Fe			
Rel Wdg	Z1Z168 DR			
Sound Pressure @ 1M	68 dBA			
VFD Rating	CONSTANT 2:1			
Outline Dwg	A-100132-856			
Conn. Diag	A-EEZ300			
Additional Specifications:				
EQUIV CKT (OHMS / PHASE)				
R1	R2	X1	X2	Xm
8.2730	5.9090	14.4780	14.7730	561.3910



Speed - Torque Curve

