

PRODUCT INFORMATION PACKET

Model No: 145TTDR16015
Catalog No: GT2006
2,3600,DP,145JMV,3/60/200
JM



Regal and Marathon are trademarks of Regal Beloit Corporation or one of its affiliated companies.
©2018 Regal Beloit Corporation, All Rights Reserved. MC017097E





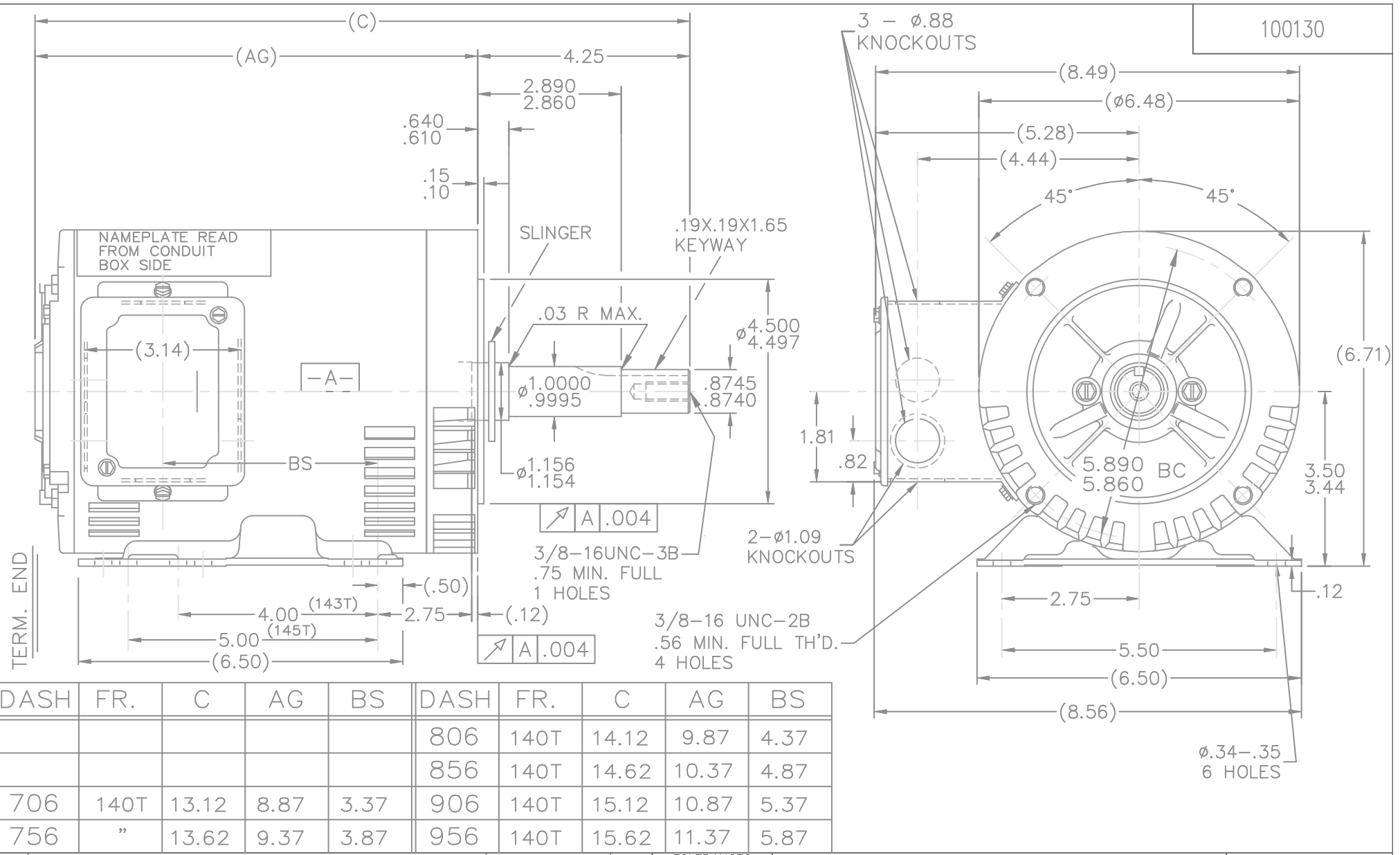
Nameplate Specifications

Output HP	2 Hp	Output KW	1.49 kW
Frequency	60 Hz	Voltage	200 V
Current	6.45 A	Speed	3510 rpm
Service Factor	1.15	Phase	3
Efficiency	86.5 %	Duty	CONTINUOUS
Insulation Class	F	Design Code	B
KVA Code	L	Frame	145JMV
Enclosure	DP	Overload Protector	NOT
Ambient Temperature	40 °C	Drive End Bearing Size	6206
Opp Drive End Bearing Size	6203	UL	Recognized
CSA	Y	CE	Y
IP Code	22		

Technical Specifications

Electrical Type	SQ CAGE INV RATED	Starting Method	LINE OR INVERTER
Poles	2	Rotation	REV
Mounting	RIGID	Motor Orientation	HORIZONTAL OR SHAFT DOWN
Drive End Bearing	BALL	Opp Drive End Bearing	BALL
Frame Material	ROLLED STEEL	Shaft Type	JM
Overall Length	13.12 in	Frame Length	7.06 in
Shaft Diameter	0.88 in	Shaft Extension	4.25 in
Assembly/Box Mounting	F1 ONLY		
Outline Drawing	A-100130-706	Connection Diagram	A-EE7300

This is an uncontrolled document once printed or downloaded and is subject to change without notice. Date Created: 04/05/2018



NO.	REVISION	BY & DATE	CHK	ANG	TOLERANCES UNLESS SPECIFIED
5	UPDATED DRAWING	RJW 03-28-2007	ML	DEC.	INCHES
4	REMOVED THE DASH VALUE 656. ECN:9600	NB 11-20-2006		.X	\pm .1
3	REDRAWN IN AUTOCAD	TAT 07-06-2004	ML	.XX	\pm .03
2	ADDED PACKAGING DIMS. CN 27400-456	BR 09-30-1999		.XXX	\pm .005
1	REDRAWN ON CADD, ADDED DASH 956 3877534	SMC 01-23-1992		.XXXX	\pm .0005
					\pm '7'30"

MARATHON ELECTRIC

TITLE OUTLINE
140 FR. - DR. PR. 3 ϕ - C'FACE JM EXT.

MAT'L.

FINISH

DRAWN SMC 09-30-1999

CHK ET 01-24-1999

APPD ML 01-24-1999

SCALE 3=8

REF

FMF

PREV

RFP

DIST WP

CAD FILE 100130

SIZE A

DRAWING NO. 100130

PAGE OF

REV. 5

**THREE PHASE - SINGLE VOLTAGE
MOTOR - CONDUIT BOX @ 'A'**

**TO REVERSE ROTATION:
INTERCHANGE ANY TWO
LINE LEAD CONNECTIONS.**

TERMINAL BLOCK WHEN SPECIFIED



VIEW OF TERMINAL END

**IF MOTOR HAS
6 LEADS**



A-9806 DECAL

**OPTIONAL CORD
CONNECTION**



DRAWING REVISION AB	REVISION BY JJB	DATE 06-27-2017
ECO ECO-0125361	APPROVED BY TB	DATE 06-27-2017
ECO DESCRIPTION UPDATED TO CURRENT STANDARDS		
<small>COPYRIGHT REGAL BELOIT AMERICA, INC. ALL RIGHTS RESERVED. PROPRIETARY AND CONFIDENTIAL INFORMATION - THIS DOCUMENT IS THE PROPERTY OF REGAL BELOIT AMERICA, INC. ("OWNER") AND CONTAINS OWNER'S PROPRIETARY INFORMATION. ANY PERSON, CORPORATION OR OTHER FIRM RECEIVING IT IS DEEMED, BY RECEIVING IT, TO AGREE THAT IT, AND/OR ANY PART OF IT, SHALL NOT BE DISCLOSED TO ANY PERSON, CORPORATION OR OTHER ENTITY, DUPLICATED, AND/OR USED, EXCEPT AS EXPRESSLY APPROVED IN WRITING IN ADVANCE BY OWNER. THIS DOCUMENT SHALL BE RETURNED TO OWNER UPON REQUEST. IT MAY BE SUBJECT TO CERTAIN RESTRICTIONS UNDER APPLICABLE EXPORT CONTROL LAWS AND REGULATIONS.</small>		



DRAWN BY DA
DATE 03-26-1993
APPROVED BY TB
DATE 03-26-1993
REFERENCE
THIRD ANGLE PROJECTION

Regal Beloit America, Inc.		
		DESCRIPTION CONNECTION DIAGRAM EXTERNAL - SINGLE VOLTAGE - 3Ø MOTOR
MATERIAL	PROCESS/FINISH	
SIZE A	DRAWING NUMBER EE7300	SHEET 1 OF 1

Data Sheet

145TTDR16015



Submittal
Data @ 200 V

Date: 6/19/2017

Customer: _____
Attention: _____
Submitted by: FAREEDA DUDEKULA

Motor Load Data

Load	0%	25%	50%	75%	100%	115%	125%	LR
Current (Amps)	3.5	3.9	4.6	5.3	6.4	7.1	7.6	55.7
Torque (ft-lb)	0.00	0.71	1.50	2.20	3.0	3.5	3.8	9.0
RPM	3600	3580	3560	3540	3510	3,500	3495	0
Efficiency (%)		74.5	83.0	86.0	86.5	86.5	86.0	
P.F. (%)	10.0	37.0	58.0	71.0	78.5	81.0	83.0	64.5

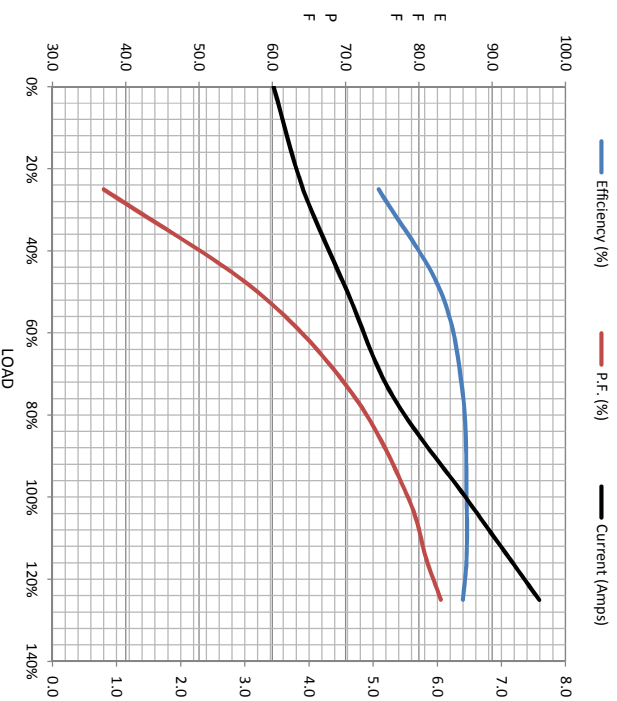
Motor Speed Data

	LR	Pull-Up	BD	Rated	Idle
Speed (rpm)	0	1500	2570	3510	3600
Current (Amps)	55.7	50.1	37.3	6.4	3.5
Torque (ft-lb)	9.0	11.0	12.8	3.0	0.00

Information Block

HP	2.0
Sync. RPM	3600
Frame	145
Enclosure	DP
Construction	TDR
Voltage	200 V
Frequency	60 HZ
Design	B
LR Code letter	L
Service Factor	1.15
Temp Rise @ FL	38 °C
Duty	CONT
Ambient	40 °C
Elevation	1,000 feet
Motor/Shaft wkt	0.03 Lb-Fe
Rel Wdg	ZT224 DR
Sound Pressure @ 1M	68 dBA
VFD Rating	CONSTANT 2:1
Outline Dwg	A-100130-706
Conn. Diag	A-EEZ300
Additional Specifications:	
0	

EQUIV CKT (OHMS / PHASE)				
R1	R2	X1	X2	Xm
0.0000	0.0000	0.0000	0.0000	0.0000



Speed - Torque Curve

