

PRODUCT INFORMATION PACKET

Model No: 215TBDW7030
Catalog No: Z432
10,1800,DP,215JP,1/60/230
JP



Regal and Marathon are trademarks of Regal Beloit Corporation or one of its affiliated companies.
©2018 Regal Beloit Corporation, All Rights Reserved. MC017097E





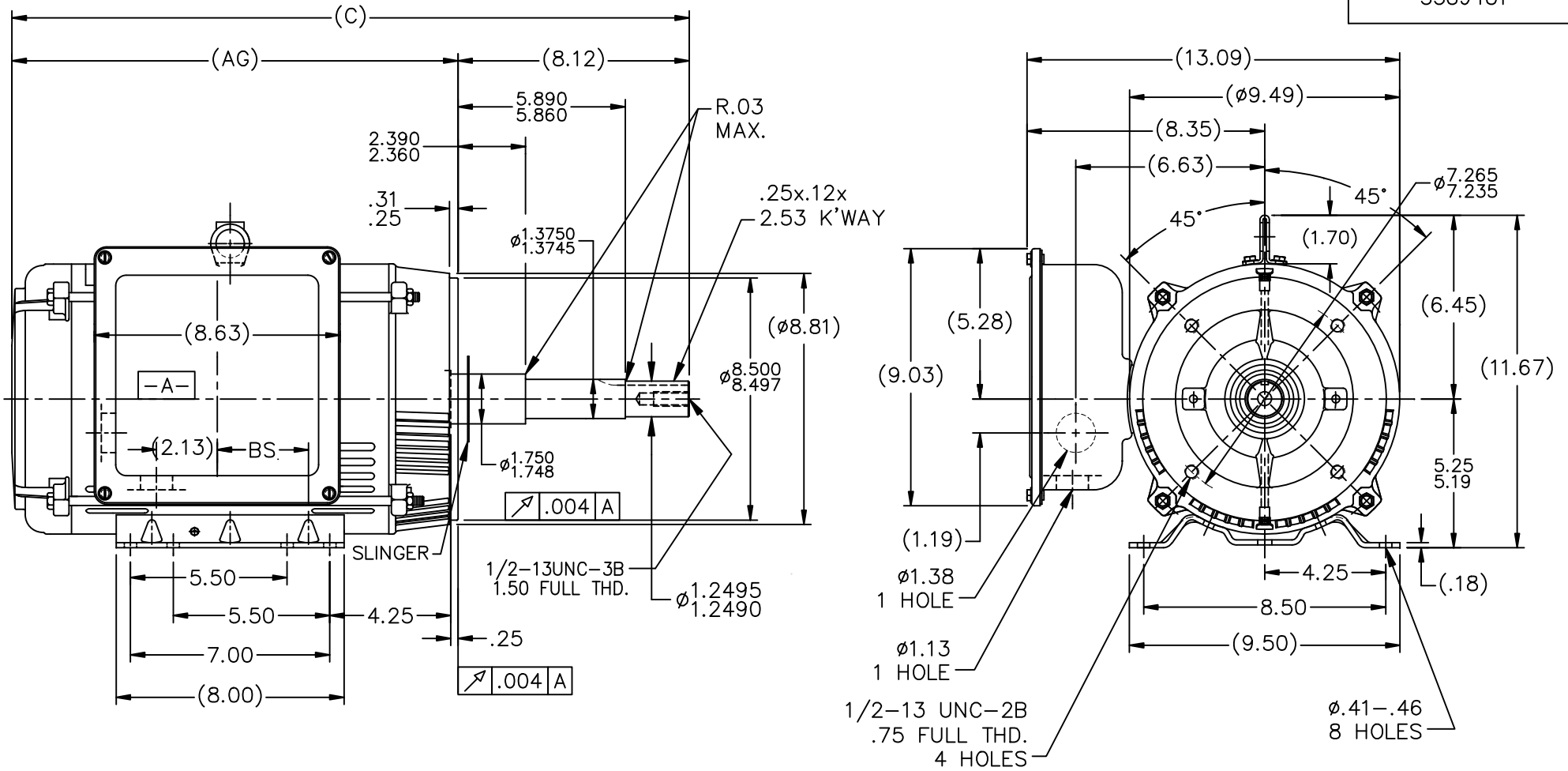
Nameplate Specifications

Output HP	10 Hp	Output KW	7.50 kW
Frequency	60 Hz	Voltage	230 V
Current	44 A	Speed	1730 rpm
Service Factor	1.15	Phase	1
Efficiency	8 %	Duty	CONTINUOUS
Insulation Class	F	Design Code	L
KVA Code	G	Frame	215JP
Enclosure	DP	Overload Protector	NOT
Ambient Temperature	40 °C	Drive End Bearing Size	6309
Opp Drive End Bearing Size	6206	UL	No
CSA	Y	CE	Y
IP Code	22		

Technical Specifications

Electrical Type	CAP START CAP RUN	Starting Method	ACROSS THE LINE
Poles	4	Rotation	SELECTIVE CCW
Mounting	RIGID	Motor Orientation	HORIZONTAL
Drive End Bearing	BALL	Opp Drive End Bearing	BALL
Frame Material	ROLLED STEEL	Shaft Type	JP
Overall Length	25.04 in	Frame Length	12.4 in
Shaft Diameter	1.25 in	Shaft Extension	8.15 in
Assembly/Box Mounting	F1 ONLY		
Outline Drawing	A-SS89481-1240	Connection Diagram	A-EE9048MF

This is an uncontrolled document once printed or downloaded and is subject to change without notice. Date Created: 06/11/2018

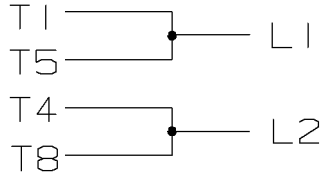


DASH	FR.	C	AG	BS
965	213JP	22.29	14.17	2.45
1115	213/15JP	23.79	15.67	3.95
1240	213/15JP	25.04	16.92	5.20

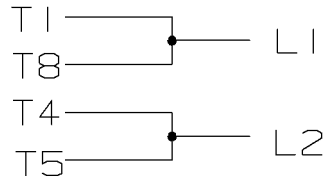
NOTES:
1. NAMEPLATE TO BE READ FROM C'BOX SIDE OF MOTOR.

				TOLERANCES UNLESS SPECIFIED		MARATHON ELECTRIC	DRAWN RWR 01-22-2008			
				DEC.	INCHES		CHK	MSG 01-25-2008		
				.X	±.1	TITLE OUTLINE 210JP FR. - BB - TS - DR.PR. - 'C'FACE	APPD	EMH 01-25-2008		
				.XX	±.03		SCALE	3=16		
				.XXX	±.005		REF			
				.XXXX	±.0005		MAT'L.	FMF ISAAC#07-1847		
NO.	REVISION		BY & DATE	CHK	ANG	FINISH	PREV			
1	DIM 1.50 FULL THD WAS 1.25		ST 05-14-2010							
THIS DRAWING IN DESIGN AND DETAIL IS OUR PROPERTY AND MUST NOT BE USED EXCEPT IN CONNECTION WITH OUR WORK ALL RIGHTS OF DESIGN AND INVENTION ARE RESERVED THIS IS AN ELECTRONICALLY GENERATED DOCUMENT - DO NOT SCALE THIS PRINT				RFP	01-25-2008	CAD FILE	SS89481	SIZE	DRAWING NO. PAGE 1 OF 1	REV.
				DIST	LB			A	SS89481	1

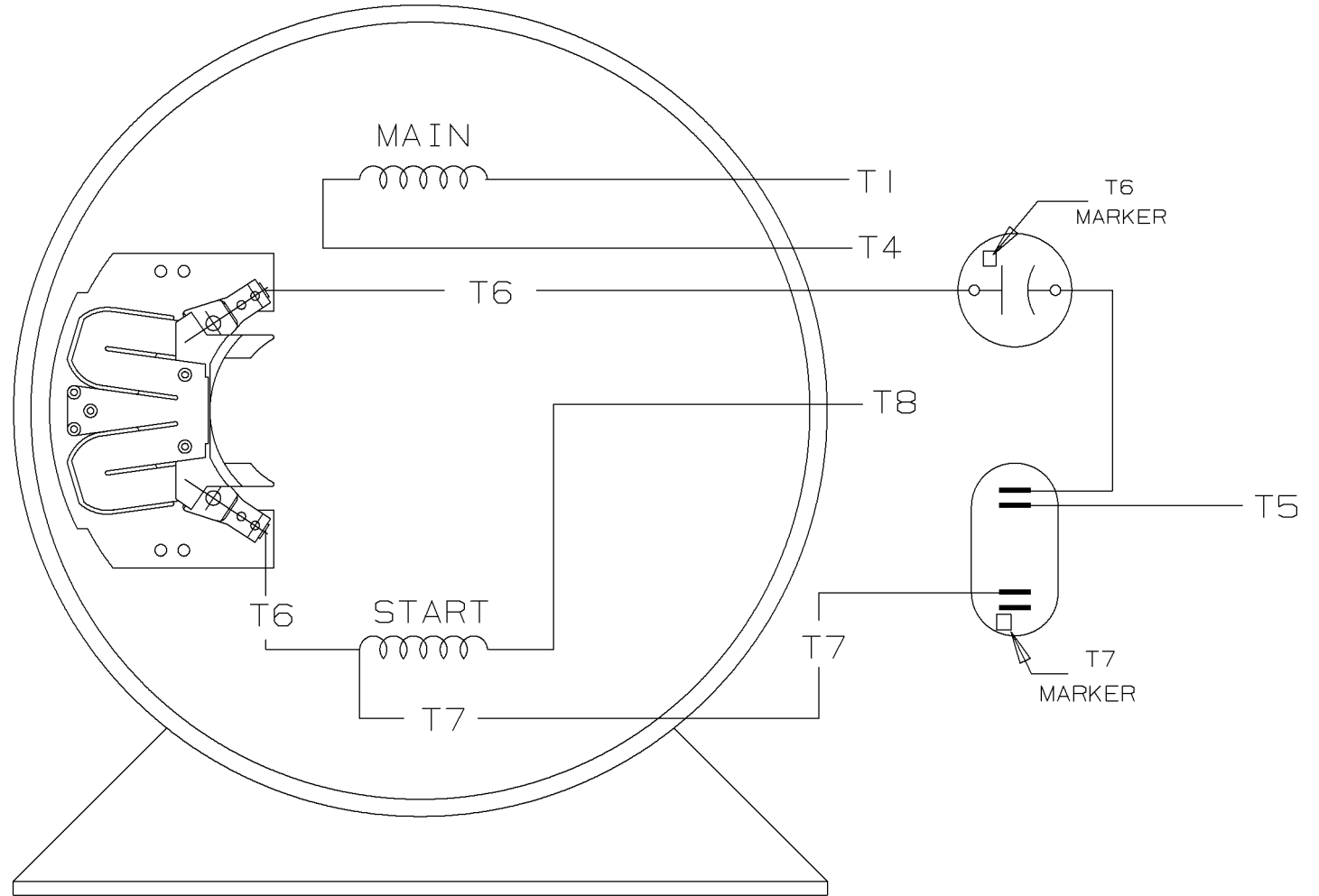
C.W. ROTATION



C.C.W. ROTATION



SINGLE VOLTAGE
CAPACITOR START
CAPACITOR RUN
REVERSIBLE



VIEW OF TERMINAL END

				<input checked="" type="checkbox"/> MAX. SURFACE ROUGHNESS UNLESS NOTED OTHERWISE	UNLESS OTHERWISE SPECIFIED DIMENSIONS ARE IN INCHES TOL. ON XX± XXX±.005 XXXX±.0005 ANGLES±			
				MATL SPEC	180 - 210 SWITCH	DRAWN BY	GK	11-01-1986
				FINISH		CHKD BY	ML	11-01-1986
				REFERENCE DRW.		WAUSAU, WISCONSIN 54401	APPD BY	FG
				PART NAME	CONNECTION DIAGRAM			DRWG NO
								A-EE9048MF

REV	DATE	CHANGE	NAME	SHOP BOOK	PURCHASED	DISTRIBUTION - WA - LB - WP - LM - BR	CADD FILE NO.	EE9048MF
-----	------	--------	------	-----------	-----------	---------------------------------------	---------------	----------