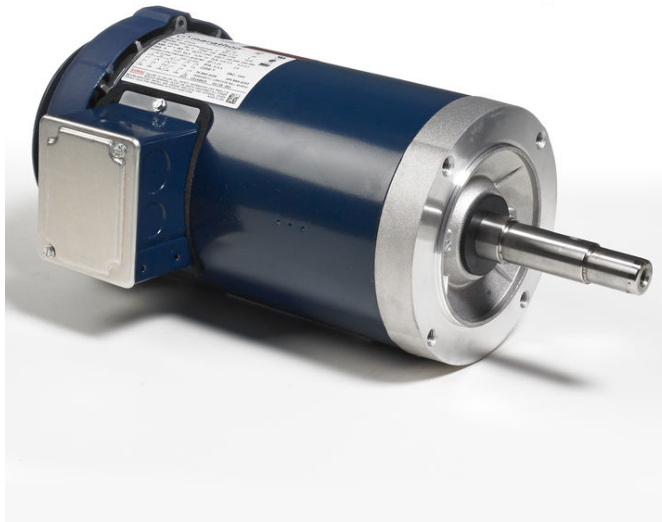


PRODUCT INFORMATION PACKET

Model No: 143TTFR16005
Catalog No: GT5003
1 1/2,3600,TEFC,143JM,3/60/200
JM



Regal and Marathon are trademarks of Regal Beloit Corporation or one of its affiliated companies.
©2018 Regal Beloit Corporation, All Rights Reserved. MC017097E





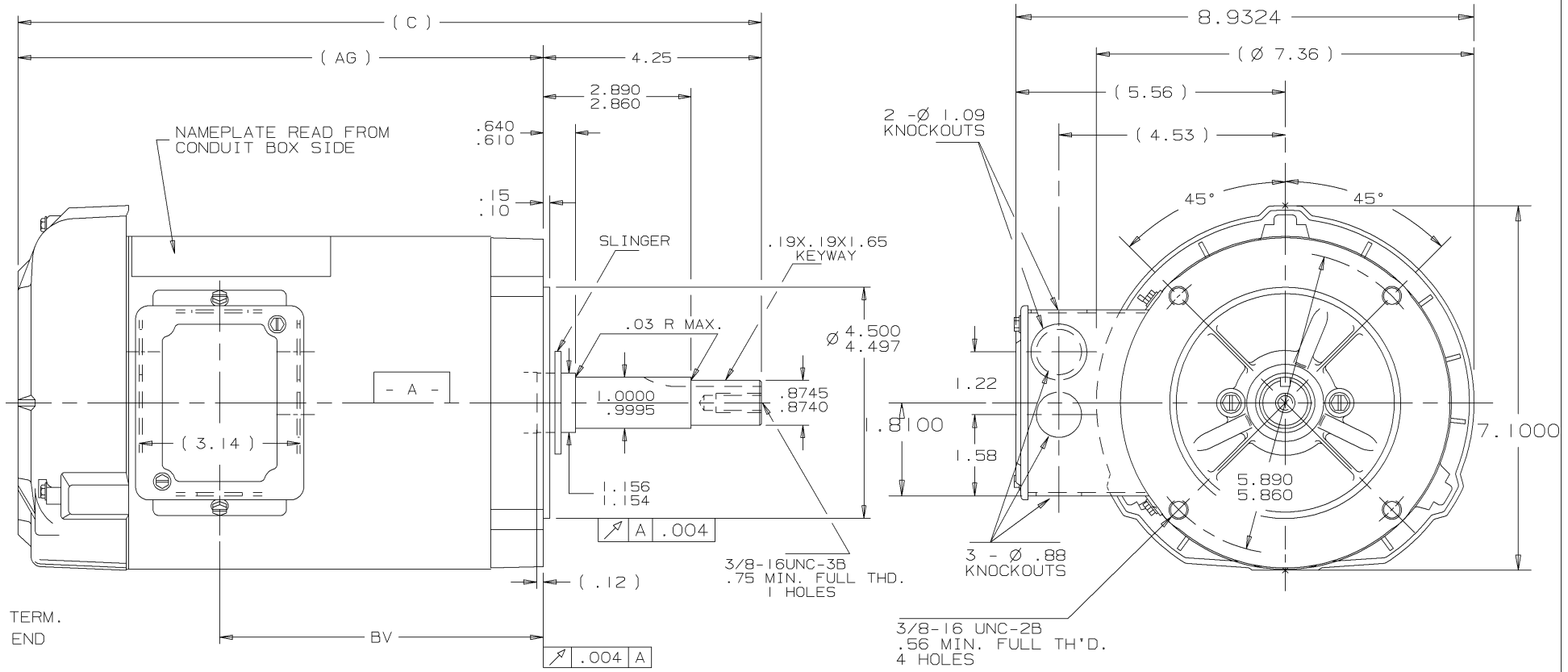
Nameplate Specifications

Output HP	1.5 Hp	Output KW	1.12 kW
Frequency	60 Hz	Voltage	200 V
Current	4.6 A	Speed	3515 rpm
Service Factor	1.15	Phase	3
Efficiency	84 %	Duty	CONTINUOUS
Insulation Class	F	Design Code	B
KVA Code	M	Frame	143JM
Enclosure	TEFC	Overload Protector	NOT
Ambient Temperature	40 °C	Drive End Bearing Size	6206
Opp Drive End Bearing Size	6203	UL	Recognized
CSA	Y	CE	Y
IP Code	43		

Technical Specifications

Electrical Type	SQ CAGE INV RATED	Starting Method	LINE OR INVERTER
Poles	2	Rotation	REV
Mounting	ROUND	Motor Orientation	HORIZONTAL
Drive End Bearing	BALL	Opp Drive End Bearing	BALL
Frame Material	ROLLED STEEL	Shaft Type	JM
Overall Length	15.49 in	Frame Length	8.06 in
Shaft Diameter	0.88 in	Shaft Extension	4.25 in
Assembly/Box Mounting	F1 ONLY		
Outline Drawing	B-100878-806	Connection Diagram	A-EE7300

This is an uncontrolled document once printed or downloaded and is subject to change without notice. Date Created: 04/05/2018



DASH	FR.	C	AG	BV	DASH	FR.	C	AG	BV
					806	145	15.49	11.24	7.31
656	145	13.99	11.74	5.81	856	145	15.99	11.74	7.81
706	145	14.49	10.24	6.31	906	145	16.49	12.24	8.31
756	145	14.99	10.74	6.81	956	145	16.99	12.74	8.81

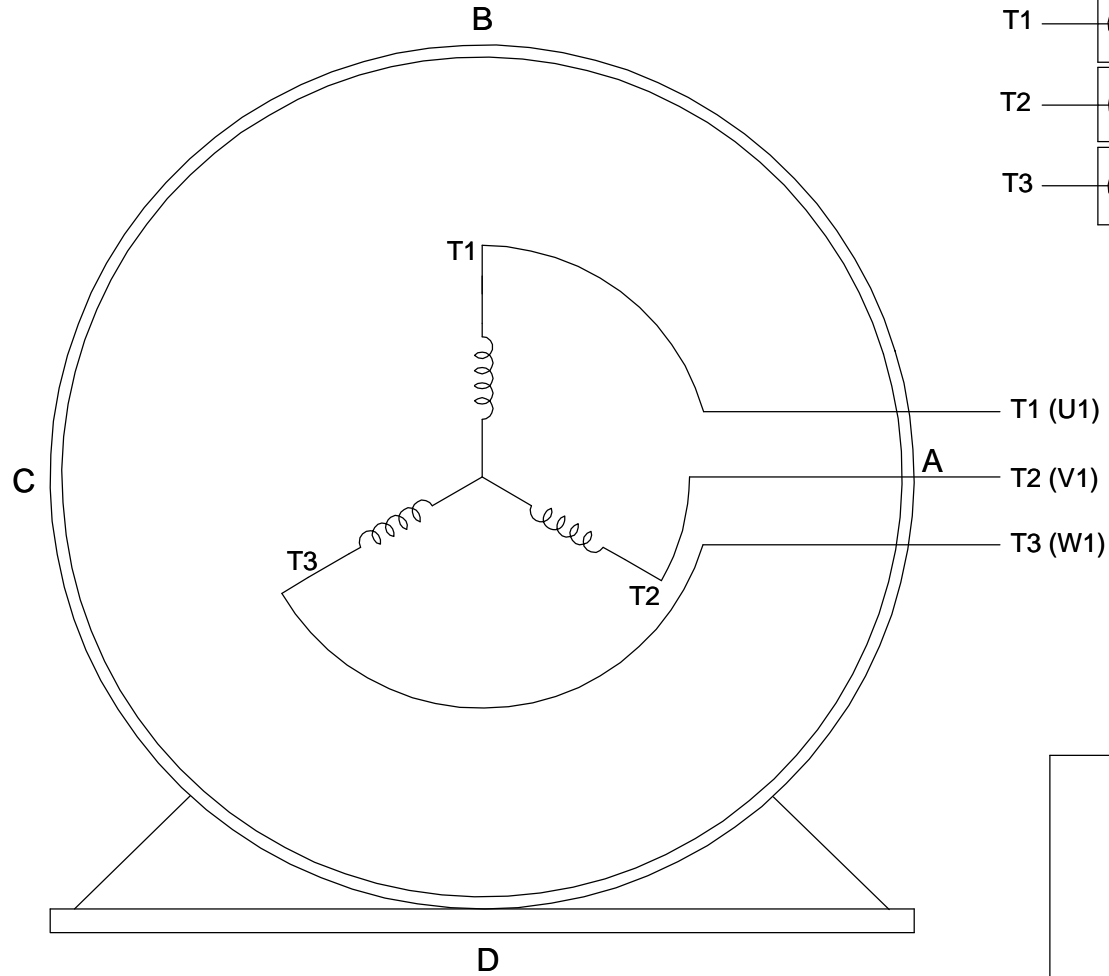
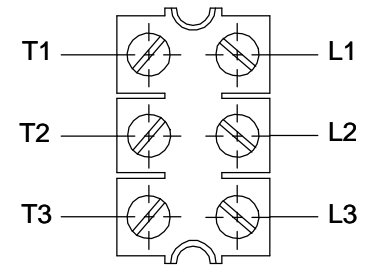
NOTES:
CONDUIT BOX CAN BE ROTATED 180°.

				<input checked="" type="checkbox"/> MAX. SURFACE ROUGHNESS UNLESS NOTED OTHERWISE MATL SPEC		UNLESS OTHERWISE SPECIFIED DIMENSIONS ARE IN INCHES TOL. ON XX±.03 XXX±.005 XXXX±.0005 ANGLES± 1°	
				FINISH		DRAWN BY KL 04-21-94 CHKD BY ML 04-25-94 APPD BY MTB 04-26-94	
05-02-94		NEW DRAWING		4142411		MARATHON ELECTRIC WAUSAU, WISCONSIN 54401	
REV	DATE	CHANGE		NAME	PART NAME		DRWG NO
					OUTLINE		B-100878
		SHOP BOOK			140 FR. - BB - TEFC - C' FACE - 1Ø		
		PURCHASED			DISTRIBUTION - WA - <input checked="" type="checkbox"/> - WP - <input checked="" type="checkbox"/> - YK		CADD FILE NO. 100878

**THREE PHASE - SINGLE VOLTAGE
MOTOR - CONDUIT BOX @ 'A'**

**TO REVERSE ROTATION:
INTERCHANGE ANY TWO
LINE LEAD CONNECTIONS.**

TERMINAL BLOCK WHEN SPECIFIED



VIEW OF TERMINAL END

**IF MOTOR HAS
6 LEADS**



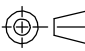
A-9806 DECAL

**OPTIONAL CORD
CONNECTION**

- L1 WHITE
- L2 RED
- L3 BLACK

DRAWING REVISION AB	REVISION BY JJB	DATE 06-27-2017
ECO ECO-0125361	APPROVED BY TB	DATE 06-27-2017
ECO DESCRIPTION UPDATED TO CURRENT STANDARDS		
<small>COPYRIGHT REGAL BELOIT AMERICA, INC. ALL RIGHTS RESERVED. PROPRIETARY AND CONFIDENTIAL INFORMATION - THIS DOCUMENT IS THE PROPERTY OF REGAL BELOIT AMERICA, INC. ("OWNER") AND CONTAINS OWNER'S PROPRIETARY INFORMATION. ANY PERSON, CORPORATION OR OTHER FIRM RECEIVING IT IS DEEMED, BY RECEIVING IT, TO AGREE THAT IT, AND/OR ANY PART OF IT, SHALL NOT BE DISCLOSED TO ANY PERSON, CORPORATION OR OTHER ENTITY, DUPLICATED, AND/OR USED, EXCEPT AS EXPRESSLY APPROVED IN WRITING IN ADVANCE BY OWNER. THIS DOCUMENT SHALL BE RETURNED TO OWNER UPON REQUEST. IT MAY BE SUBJECT TO CERTAIN RESTRICTIONS UNDER APPLICABLE EXPORT CONTROL LAWS AND REGULATIONS.</small>		



DRAWN BY DA	 Regal Beloit America, Inc.		
DATE 03-26-1993			
APPROVED BY TB	DESCRIPTION CONNECTION DIAGRAM		
DATE 03-26-1993	EXTERNAL - SINGLE VOLTAGE - 3Ø MOTOR		
REFERENCE	MATERIAL	PROCESS/FINISH	
THIRD ANGLE PROJECTION 	SIZE A	DRAWING NUMBER EE7300	SHEET 1 OF 1

Data Sheet

Date: 20-06-2017
 Customer: _____
 Attention: _____
 Submitted by: FAREEDA DUDEKULA



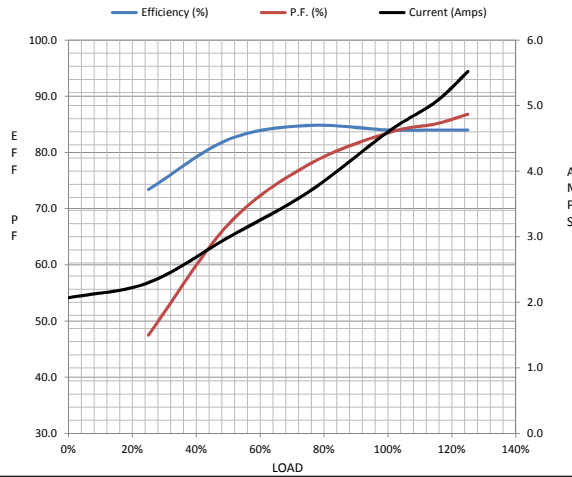
143TFR16005

Submittal

Data @ 200 V

Motor Load Data									
Load	0%	25%	50%	75%	100%	115%	125%	LR	
Current (Amps)	2.07	2.30	2.99	3.7	4.6	5.1	5.5	44.6	
Torque (ft-lb)	0.00	0.60	1.10	1.70	2.20	2.60	2.80	7.3	
RPM	3600	3575	3555	3535	3515	3,500	3485	0	
Efficiency (%)		73.4	82.3	84.8	84.0	84.0	84.0		
P.F. (%)	17.0	47.5	67.2	77.8	83.5	85.1	86.8	58.0	

Motor Speed Data						Information Block	
	LR	Pull-Up	BD	Rated	Idle		
Speed (RPM)	0	650	2815	3515	3600	HP	1.5
Current (Amps)	44.6	42.8	27.8	4.6	2.07	Sync. RPM	3600
Torque (ft-lb)	7.3	6.1	9.6	2.20	0.00	Frame	143
						Enclosure	TEFC
						Construction	TFR
						Voltage	200 V
						Frequency	60 Hz
						Design	A
						LR Code letter	M
						Service Factor	1.15
						Temp Rise @ FL	38 ° C
						Duty	CONT
						Ambient	40 ° C
						Elevation	1,000 feet
						Rotor/Shaft wk²	0.05 Lb-Ft²
						Ref Wdg	ZT2141 R1
						Sound Pressure @ 1M	69 dBA
						VFD Rating	CONSTANT 2:1
						Outline Dwg	B-100878-806
						Conn. Diag	A-EE7300



HP	1.5			
Sync. RPM	3600			
Frame	143			
Enclosure	TEFC			
Construction	TFR			
Voltage	200 V			
Frequency	60 Hz			
Design	A			
LR Code letter	M			
Service Factor	1.15			
Temp Rise @ FL	38 ° C			
Duty	CONT			
Ambient	40 ° C			
Elevation	1,000 feet			
Rotor/Shaft wk²	0.05 Lb-Ft²			
Ref Wdg	ZT2141 R1			
Sound Pressure @ 1M	69 dBA			
VFD Rating	CONSTANT 2:1			
Outline Dwg	B-100878-806			
Conn. Diag	A-EE7300			
Additional Specifications:				
0				
365THFS8036				
EQUIV CKT (OHMS / PHASE)				
R1	R2	X1	X2	Xm
0.2680	0.1790	0.4380	0.4020	15.1110

