

PRODUCT INFORMATION PACKET



Model No: 985.655C
Catalog No: M1125215.00
...30:1.55RPM.56LBIN.1/17HP.30....12V..TENV.985.655C
PZ Series



Regal and Leeson are trademarks of Regal Beloit Corporation or one of its affiliated companies.
©2018 Regal Beloit Corporation, All Rights Reserved. MC017097E





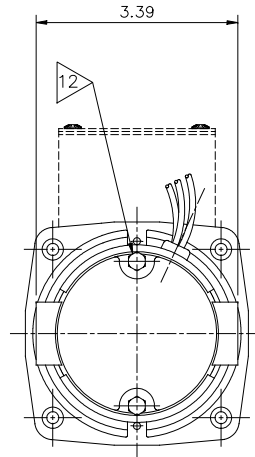
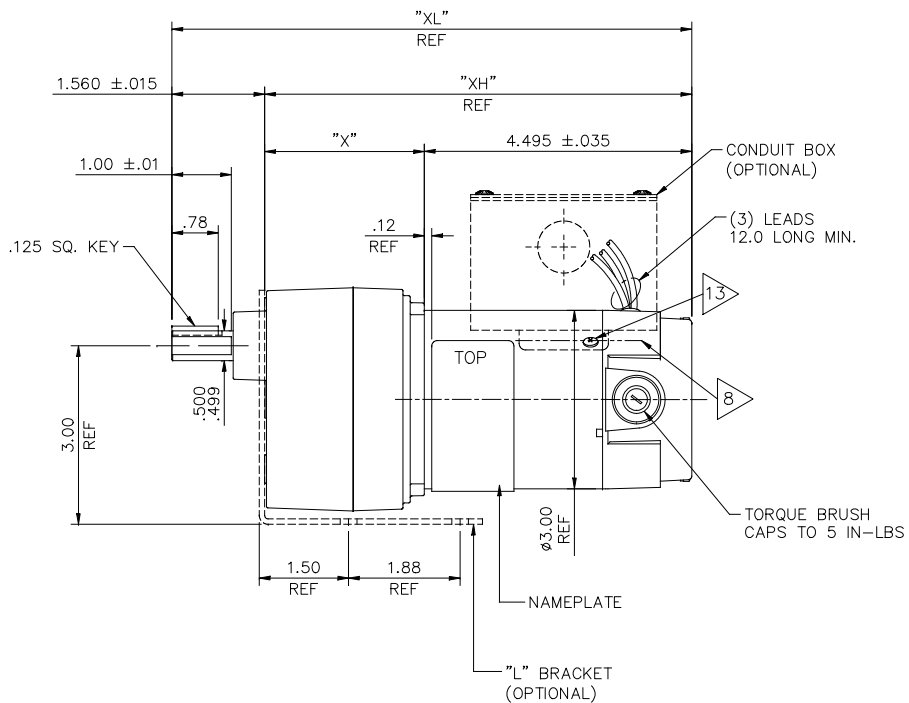
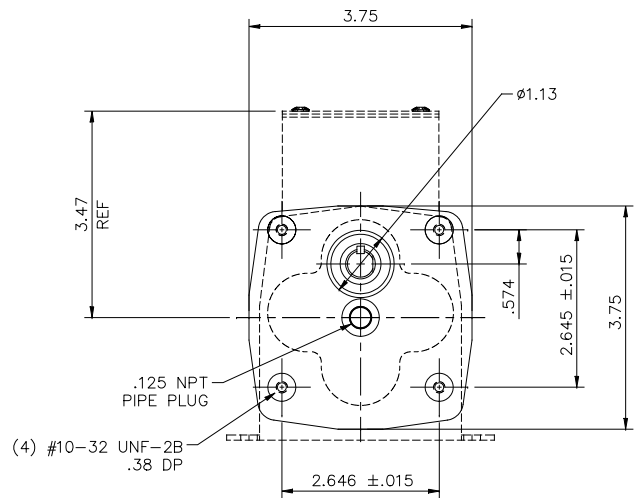
Nameplate Specifications

Output HP	0.06 Hp	Output KW	0.04 kW
Voltage	12 V	Current	5.6 A
Speed	55 rpm	Service Factor	1
Efficiency	60.1 %	Duty	Continuous
Insulation Class	F	Frame	30
Enclosure	Totally Enclosed Non Ventilated	Overload Protector	No
Ambient Temperature	40 °C	Drive End Bearing Size	6000
Opp Drive End Bearing Size	6000	UL	Recognized
CSA	Y	CE	N

Technical Specifications

Rotation	Reversible	Mounting	Special
Shaft Type	Parallel	Overall Length	8.74 in
Frame Length	2.99 in	Shaft Diameter	0.500 in
Shaft Extension	1 in		
Outline Drawing	M1030951-M1125215	Connection Diagram	M112521500FI

This is an uncontrolled document once printed or downloaded and is subject to change without notice. Date Created: 10/15/2018



- NOTES:
1. ROTATION: REVERSIBLE
 2. HIPOT: 1250 VAC FOR ONE SECOND, BOTH LEADS TO CASE
 3. LEADS: 14 GA
 4. BEARINGS: BALL BEARINGS BOTH ENDS
 5. CASTINGS: GEARBOX—DIE CAST ALUMINUM, REAR ENDCAP—DIE CAST ZINC
 6. MAGNET TUBE: ZINC PLATED STEEL
 7. INSULATION: CLASS F 155°C
 - 8 > NAME PLATE MUST BE IN LINE WITH HOLE WITHIN .06"
 9. TEST AND LUBRICATE GEARBOX PER 890-178
 10. PAINT PER DRAWING # PP985-6XX
 11. PACKAGE FOR SHIPMENT PER 890-179
 - 12 > TORQUE THRUBOLTS TO 20-25 IN-LB
 - 13 > INSTALL CONDUIT BOX SCREWS AT FINAL ASSEMBLY BEFORE PAINTING

MODEL No.	VOLTAGE	CATALOG No.	TYPE	RATIO	TORQUE	HP	RPM	"XL" inch	"XH" inch	"X" inch
985.653	12VDC	M1125213.00	DN	180:1	100 IN.LB.	1/20	10	9.28	7.72	3.25
985.654	12VDC	M1125214.00	DN	60:1	100 IN.LB.	1/17	30	8.74	7.18	2.68
985.655	12VDC	M1125215.00	DN	30:1	56 IN.LB.	1/17	55	8.74	7.18	2.68
985.656	12VDC	M1125216.00	DN	18:1	36 IN.LB.	1/17	90	8.74	7.18	2.68

ITEM No.	ITEM REV
-00	001

		TOLERANCES UNLESS SPECIFIED			ELECTRIC MOTORS GEARMOTORS AND DRIVES	DRAWN	KLS 11/24/04		
		DEC.	INCHES			CHK	IPG 11/24/04		
		.X	±.1	TITLE		APPD	SCALE 1=2		
D	REMOVED ±1.00 FROM LEAD LENGTH, ECO-0128114	IPG	7/25/17	OUTLINE		REF	M1125213-160L		
00	RELEASED PER ECR 86540	KLS	11/24/04	30 FRAME DC- PZ GEARBOX		FMF	M1125216.00		
NO.	REVISION	BY & DATE	CHK	ANG	±1/2"	PREV			
THIS DRAWING IN DESIGN AND DETAIL IS OUR PROPERTY AND MUST NOT BE USED EXCEPT IN CONNECTION WITH OUR WORK ALL RIGHTS OF DESIGN AND INVENTION ARE RESERVED THIS IS AN ELECTRONICALLY GENERATED DOCUMENT - DO NOT SCALE THIS PRINT				RFP	CAD FILE	M1030951	SIZE	DRAWING NO.	REV.
				DIST			B	M1030951	D

1. HIPOT @ 1250 VOLTS FOR ONE SECOND, RED & BLACK LEADS TO CASE
2. RED LEAD POS (+)
- BLACK LEAD NEG (-)
- } CCWSE (MOTOR ONLY-SHAFT OUTPUT END)
3. RUN IN @ 12 VDC, 1.49 MAX AMPS, NO LOAD
4. TORQUE THRUBOLTS TO 20-25 LB. IN.
5. ALL MOTORS TO BE RUN-IN AT FREE-LOAD FOR 30 MINS. [REVERSING DIRECTION AT 15 MINUTES] AT 12±1 VDC.


CHECKS TO OUTLINE DRAWING

- A. LEAD LENGTH & STRIP
- B. SHAFT ROTATION (GEARBOX)
- C. LABEL CORRECT, POSITION (CRITICAL) & DATE CODE
- D. -
- E. PAINT - SMOOTH. COMPLETE & NO RUNS
- F. CONDUIT BOX SCREWS
- G. GEARBOX ID
- H. GEARBOX OIL PLUG TORQUE (24 LB. IN.)

PERFORMANCE SPECIFICATIONS

TORQUE	SPEED	MAX AMPS
28 LB. IN.	55-61	3.85
56 LB. IN.	51-56	6.15

UL NUMBER: 985.655

				TOLERANCES UNLESS SPECIFIED			ELECTRIC MOTORS GEARMOTORS AND DRIVES	DRAWN	AD 1/29/01	
				DEC.	INCHES			CHK		
03	REMOVED KEY & RUBBER BAND/"D"OUT.CHKS. ECR83964	RPB 12/17/03	BC	.X	±.1			APPD		
02	CHG'D NOTE 5	JKM 11/8/02		.XX	±.01	TITLE	FINAL INSPECTION	SCALE	1=1	
01	1.49 W .74;55-61 W 60-67;3.85 W 3.4;6.15 W 5.8	AD 3/27/01		.XXX	±.005		30 FRAME DC - PZ GEARBOX	REF		
00	RELEASE	AD 1/29/01		.XXXX	±.0005	MAT'L.		FMF		
NO.	REVISION	BY & DATE	CHK	ANG	±1/2"	FINISH		PREV		
THIS DRAWING IN DESIGN AND DETAIL IS OUR PROPERTY AND MUST NOT BE USED EXCEPT IN CONNECTION WITH OUR WORK ALL RIGHTS OF DESIGN AND INVENTION ARE RESERVED THIS IS AN ELECTRONICALLY GENERATED DOCUMENT - DO NOT SCALE THIS PRINT				RFP		CAD FILE	M112521500FI	SIZE	DRAWING NO.	REV.
				DIST				A	M1125215.00FI	03