

PRODUCT INFORMATION PACKET



Model No: CM31T17NZ26A

Catalog No: M1125282.00

PZ...90:1.19RPM.100LBIN.1/15HP.31...INVERTER RATED./208-230V.3PH.60HZ.TENV.CM31T17NZ26A
PZ Series



Regal and Leeson are trademarks of Regal Beloit Corporation or one of its affiliated companies.

©2018 Regal Beloit Corporation, All Rights Reserved. MC017097E





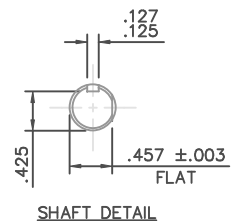
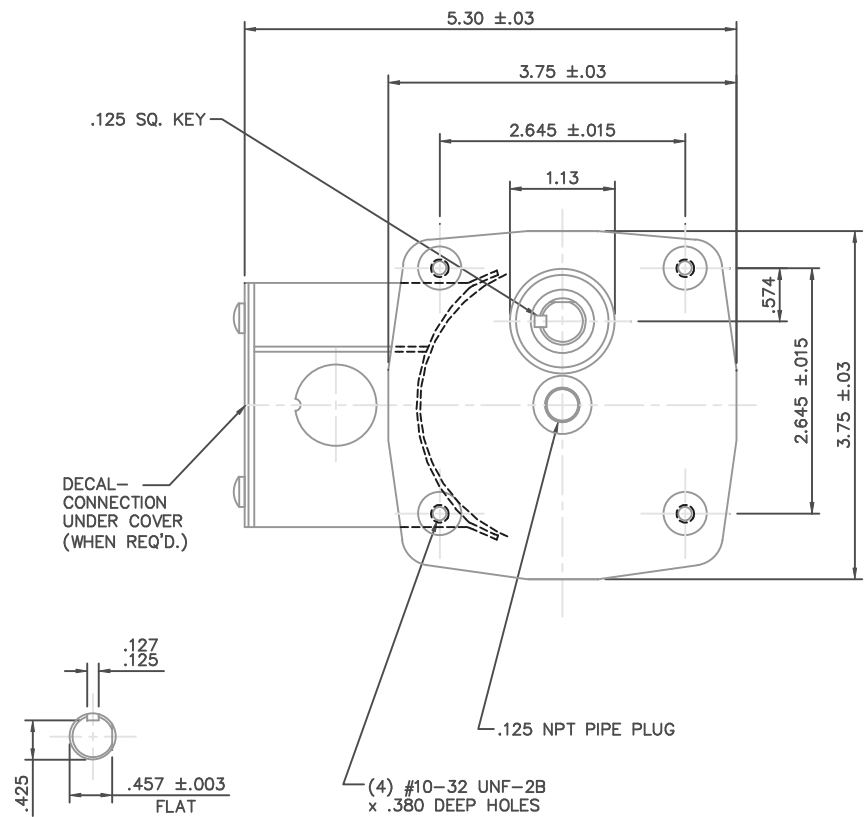
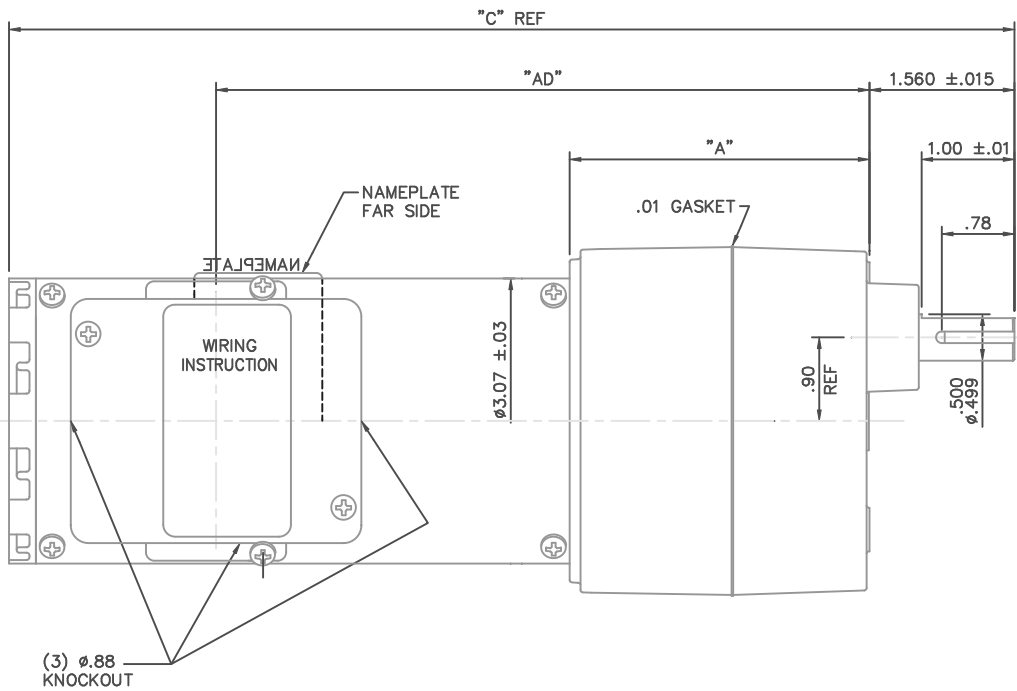
Nameplate Specifications

Output HP	0.07 Hp	Output KW	0.05 kW
Frequency	60 Hz	Voltage	208-230 V
Current	0.40 A	Speed	19 rpm
Service Factor	1	Phase	3
Duty	Continuous	Insulation Class	F
KVA Code	H	Frame	31
Enclosure	Totally Enclosed Non Ventilated	Overload Protector	No
Ambient Temperature	40 °C	Drive End Bearing Size	6000
Opp Drive End Bearing Size	R6	UL	Recognized
CSA	Y	CE	N

Technical Specifications


Rotation	Reversible	Mounting	Special
Shaft Type	Parallel	Overall Length	10.83 in
Frame Length	5.75 in	Shaft Diameter	0.500 in
Shaft Extension	1 in		
Outline Drawing	M1031002-M1125282	Connection Diagram	005102.01

This is an uncontrolled document once printed or downloaded and is subject to change without notice. Date Created: 10/15/2018



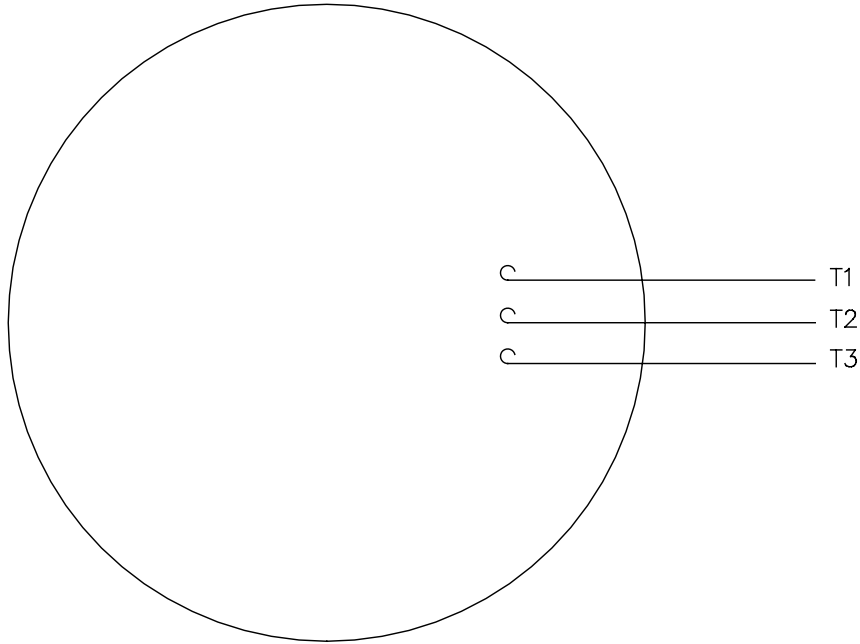
CATALOG NUMBER	OUTPUT RPM	FULL LOAD TORQUE LB.-IN.	INPUT HP	OVERHUNG LOAD LBS.	RATIO TO 1	"C"	"AD"	"A"
M1125282.00	19	100	1/15	155	90	10.83	7.00	3.23
M1125283.00	57	56	1/15	155	30	10.03	6.24	2.43
M1125284.00	142	24	1/15	155	12	9.73	5.94	2.13
M1125285.00	283	12	1/15	155	6	9.73	5.94	2.13

NOTES:
 1- ALL GEARING IS STEEL IN COMPOSITION.
 2- GEARING IS OF AGMA #8 QUALITY OR BETTER.

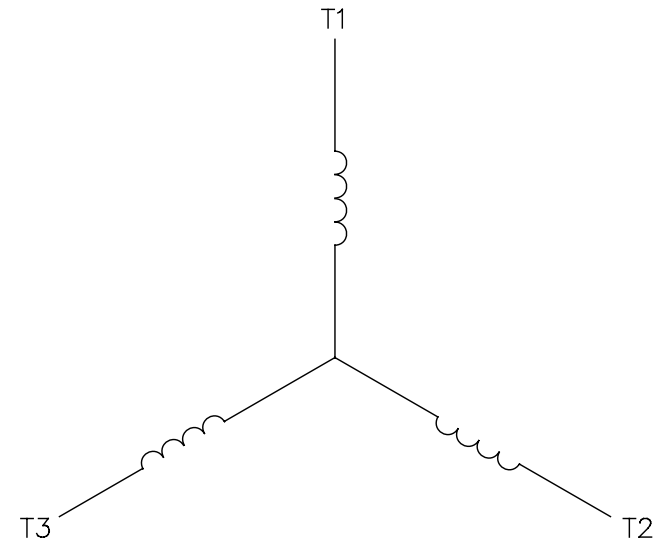
NO.		REVISION		BY & DATE		TO TOLERANCES UNLESS SPECIFIED		 ELECTRIC MOTORS GEARMOTORS AND DRIVES	DRAWN LST 6/15/05		
NO.	DESCRIPTION	BY	DATE	CHK	ANG	DEC.	INCHES		CHK	REV.	
03	ADD "A" TO TABLE PER ISAAC 08-3733	LST	8/15/08	.X	±.1						
02	MIRRORED CONDUIT BOX MOUNTING SCREWS TO SHOW CORRECT ORIENTATION OF BOX; ECR 85528	KLS	12/19/05	RDW	±.03						
01	ADDED PERFORMANCE ATTRIBUTES TABLE	RLW	7/7/05		±.0005						
THIS DRAWING IN DESIGN AND DETAIL IS OUR PROPERTY AND MUST NOT BE USED EXCEPT IN CONNECTION WITH OUR WORK ALL RIGHTS OF DESIGN AND INVENTION ARE RESERVED THIS IS AN ELECTRONICALLY GENERATED DOCUMENT - DO NOT SCALE THIS PRINT								TITLE OUTLINE- 31 FRAME AC TENV- PZ GEARBOX		APPD KH 6/22/05 SCALE 3=4 REF PR040177 FMP PREV	
RFP						CAD FILE		M1031002	SIZE B	DRAWING NO. M1031002	REV. 03
DIST											

005102-01

VIEW FROM OUTSIDE OF MOTOR AT SWITCH END.



LINE LEADS



CONNECT LEADS AS FOLLOWS
FOR FOUR CONDUCTOR CORD ()

CORD	L1 (RED)	L2 (WHITE)	L3 (BLACK)	(GREEN)
MOTOR	T1	T2	T3	GROUND

				TOLERANCES UNLESS SPECIFIED		Regal Beloit America, Inc.		DRAWN JRW 9/11/75			
				DEC.	INCHES			CHK			
				.X	±.1			APPD JCW 9/11/75			
08	UPDATED TO REGAL LOGO	SAJ 06/26/15	AJY	.XX	±.01	TITLE EXTERNAL WIRING DIAGRAM TYPE "T" W/O PROTECTOR		SCALE 1=1			
07	UPDATED TO CURRENT STANDARDS	DBT 5/30/97		.XXX	±.005			REF W-T6343-6			
06	REDRAWN ON CAD; ADDED DECAL NUMBER	SAW 1/24/95		.XXXX	±.0005			FMF 6T17FB7			
NO.	REVISION	BY & DATE	CHK	ANG	±1/2"	FINISH		PREV			
THIS DRAWING IN DESIGN AND DETAIL IS OUR PROPERTY AND MUST NOT BE USED EXCEPT IN CONNECTION WITH OUR WORK ALL RIGHTS OF DESIGN AND INVENTION ARE RESERVED THIS IS AN ELECTRONICALLY GENERATED DOCUMENT - DO NOT SCALE THIS PRINT				RFP	5/1/02	CAD FILE 00510201		SIZE	DRAWING NO.		REV.
				DIST	BRF-NLV		A	005102-01		08	