

# PRODUCT INFORMATION PACKET



Model No: CIM34D30FD1B

Catalog No: M1130153.00

...25KW-1/3HP..3000RPM.63D.IP54.180V...S1.40C.1.0SF.B5.CIM34D30FD1B.....DC METRIC.....

Metric Motors



Regal and Leeson are trademarks of Regal Beloit Corporation or one of its affiliated companies.

©2018 Regal Beloit Corporation, All Rights Reserved. MC017097E





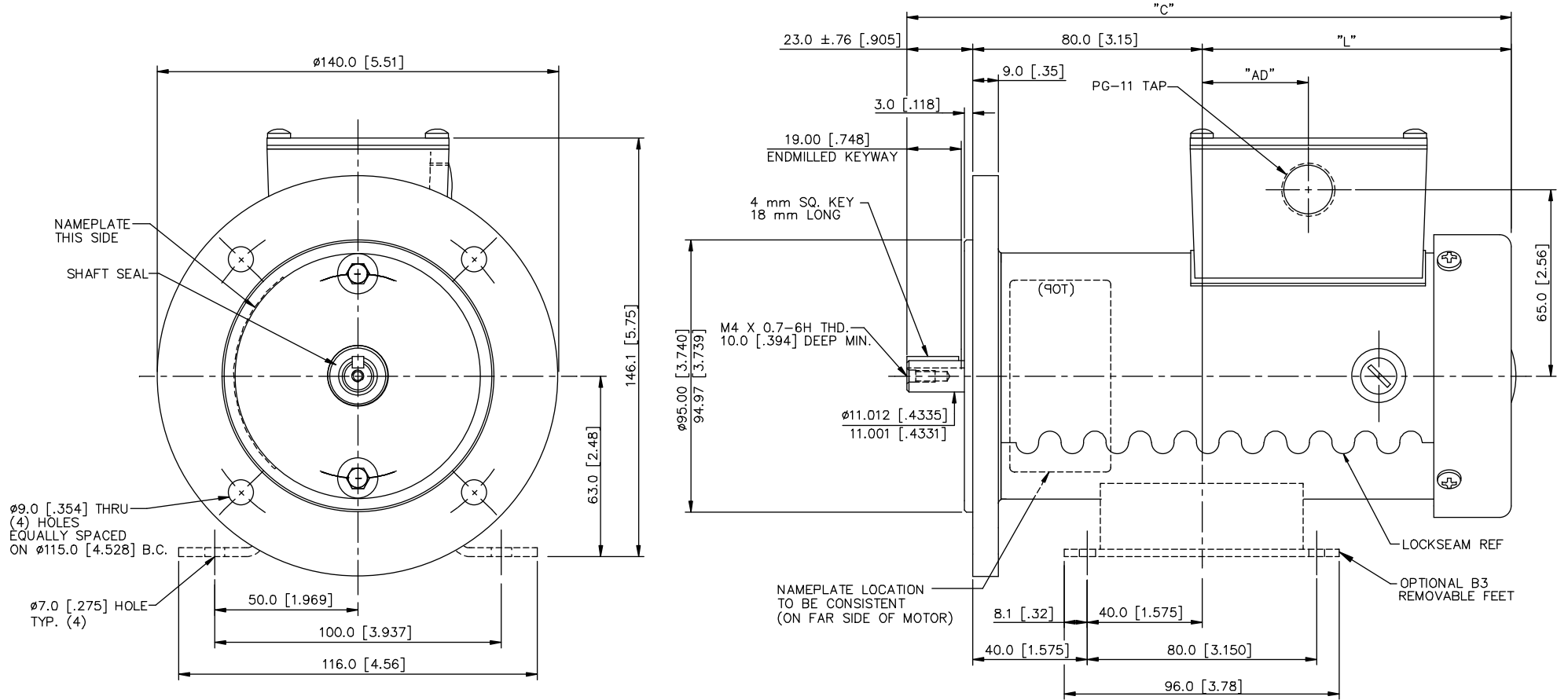
### Nameplate Specifications

Output KW	<b>0.37 kW</b>	Voltage	<b>180 V</b>
Current	<b>2.4 A</b>	Speed	<b>3000 rpm</b>
Service Factor	<b>1</b>	Efficiency	<b>75.8 %</b>
Duty	<b>S1</b>	Insulation Class	<b>F</b>
Frame	<b>63D</b>	Enclosure	<b>IP54</b>
Overload Protector	<b>No</b>	Ambient Temperature	<b>40 °C</b>
Drive End Bearing Size	<b>6201-13</b>	Opp Drive End Bearing Size	<b>6201-13</b>
UL	<b>Recognized</b>	CSA	<b>Y</b>
CE	<b>Y</b>		

### Technical Specifications

Rotation	<b>Reversible</b>	Mounting	<b>B5</b>
Overall Length	<b>9.50 in</b>	Frame Length	<b>7.18 in</b>
Shaft Diameter	<b>0.437 in</b>	Shaft Extension	<b>0.76 in</b>
Outline Drawing	<b>M1030283-G63</b>	Connection Diagram	<b>M100512601</b>

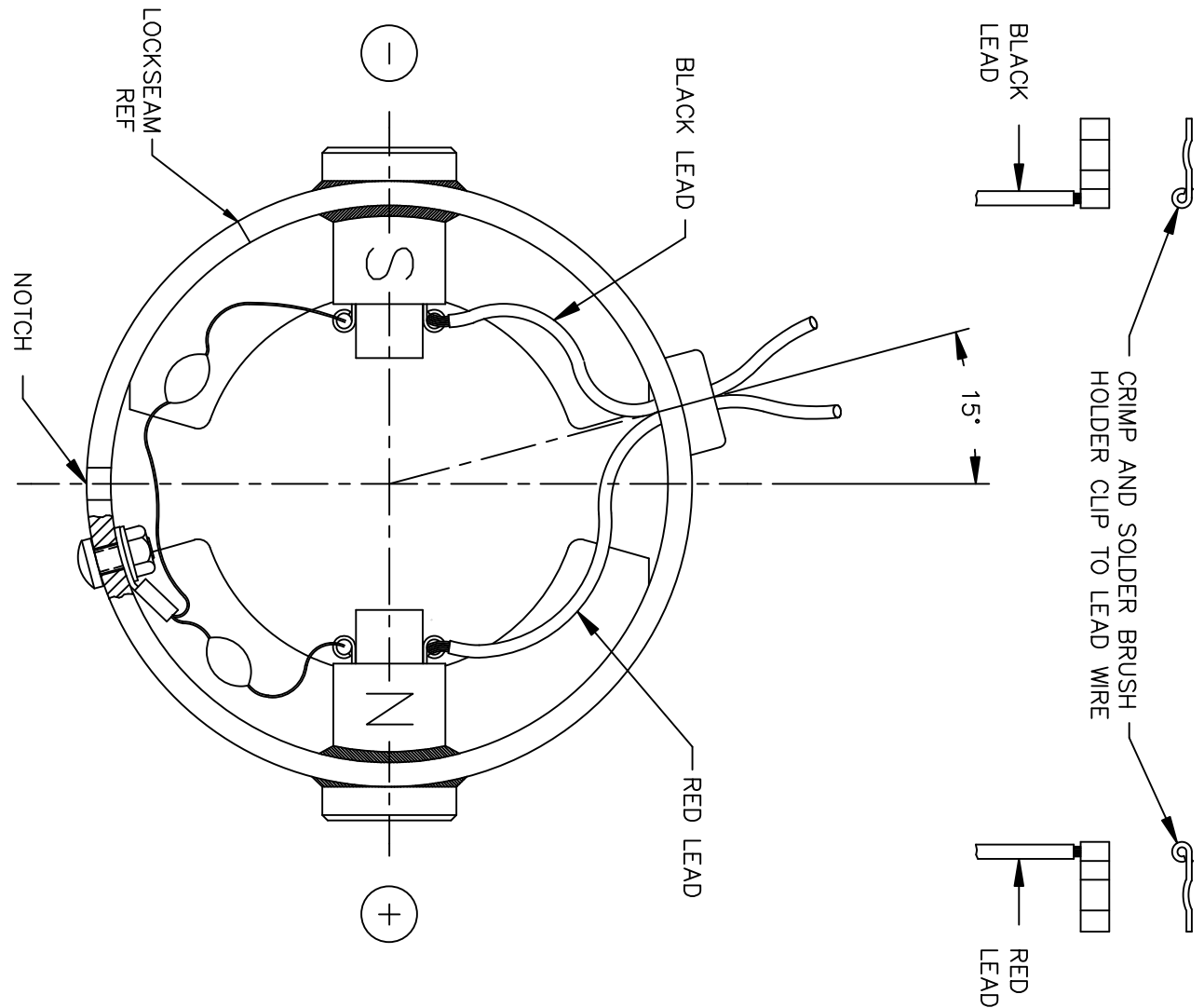
This is an uncontrolled document once printed or downloaded and is subject to change without notice. Date Created: 10/15/2018



G63	241.3 [9.50]	138.2 [5.44]	67.3 [2.65]
E63	210.8 [8.30]	107.7 [4.24]	36.8 [1.45]
FRAME	C	L	AD


		TOLERANCES UNLESS SPECIFIED		LEESON		ELECTRIC MOTORS GEARMOTORS AND DRIVES		DRAWN SPV 2/5/92		
		DEC.	INCHES					CHK		
05	ADDED LOCKSEAM, ECR-0034238	IPG	3/13/13	SAD	.X	$\pm$ .1	TITLE		APPD TGB 2/12/92	
04	ADDED $\pm$ .76 TO THE 23.0 [.905] DIM PER ECR 82033	BPW	04/17/03	SAD	.XX	$\pm$ .03	34 FRAME D.C. - IEC D63 - B5 FLANGE		SCALE 3=4	
03	DIM 9.50 WAS 9.504, 8.30 WAS 8.304, ECR 79823	IPG	8/22/01	SAD	.XXX	$\pm$ .005	MATERIAL		REF	
02	REVISED TO NEW FAN, ADDED METRIC DIM'S	SPV	2/24/97	SAD	.XXXX	$\pm$ .0005	FINISH		FMF M1130149.00	
01	ADDED NAMEPLATE	DWF	6/24/92	CHK	ANG	$\pm$ 1/2'	STOCK		PREV	
NO.	REVISION	BY & DATE		CHK	ANG	$\pm$ 1/2'	FINISH		PREV	
THIS DRAWING IN DESIGN AND DETAIL IS OUR PROPERTY AND MUST NOT BE USED EXCEPT IN CONNECTION WITH OUR WORK ALL RIGHTS OF DESIGN AND INVENTION ARE RESERVED THIS IS AN ELECTRONICALLY GENERATED DOCUMENT - DO NOT SCALE THIS PRINT				RFP	CAD FILE			M1030283	SIZE	DRAWING NO.
				DIST				B	M1030283	REV. 05

DC MOTORS



CAUTION! FILTER CIRCUIT LEADS WITH BRUSH CLIPS MUST NOT TOUCH HOUSING WALL (INSIDE)

EXTERNAL CONNECTIONS FOR CW ROTATION VIEWING LEAD END OF MOTOR WITH RED LEAD POSITIVE (+) FOR CCW ROTATION REVERSE POLARITY

				TOLERANCES UNLESS SPECIFIED		 ELECTRIC MOTORS GEARMOTORS AND DRIVES	DRAWN SPV 01/27/92	
				DEC.	INCHES		CHK	
				.X	±.1		APPD DWF 01/27/92	
02	REVERSED POLARITY FOR CWLE ROTATION	SMB 11/20/03	IPG	.XX	±.01	TITLE	SCALE 1=1	
	PER M1130392.00			.XXX	±.005	CONNECTION DIAGRAM WITH FILTER CIRCUIT	REF	
01	REMOVED PART NUMBERS	DWF 05/07/96		.XXXX	±.0005	MAT'L.	FMF M1130136.00	
NO.	REVISION	BY & DATE	CHK	ANG	±1/2'	FINISH	PREV	
THIS DRAWING IN DESIGN AND DETAIL IS OUR PROPERTY AND MUST NOT BE USED EXCEPT IN CONNECTION WITH OUR WORK ALL RIGHTS OF DESIGN AND INVENTION ARE RESERVED THIS IS AN ELECTRONICALLY GENERATED DOCUMENT - DO NOT SCALE THIS PRINT			RFP	CAD FILE M100512601		SIZE	DRAWING NO.	REV.
			DIST			A	M1005126.01	02