

PRODUCT INFORMATION PACKET



Model No: CM34D25NZ34B

Catalog No: M1135063.00

...30:1.83RPM.125LBIN.1/4HP.34...DC GEARMOTORS SUB-FHP.180V..TENV.CM34D25NZ34B
Right Angle



Regal and Leeson are trademarks of Regal Beloit Corporation or one of its affiliated companies.

©2018 Regal Beloit Corporation, All Rights Reserved. MC017097E





Nameplate Specifications

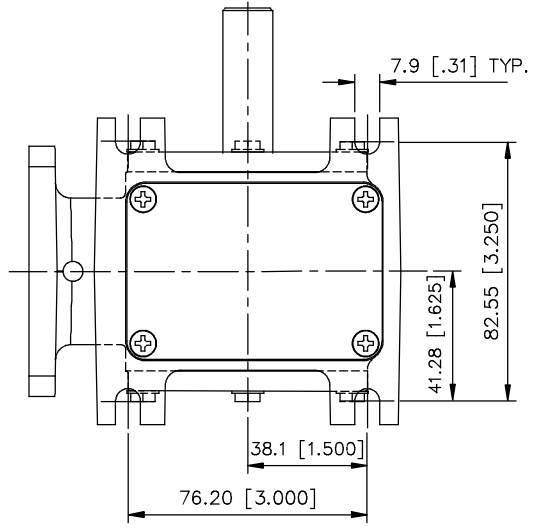
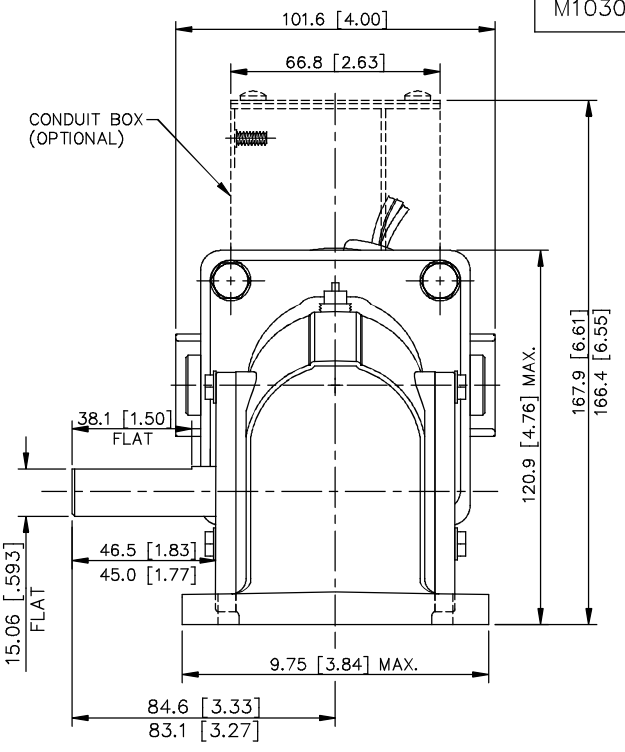
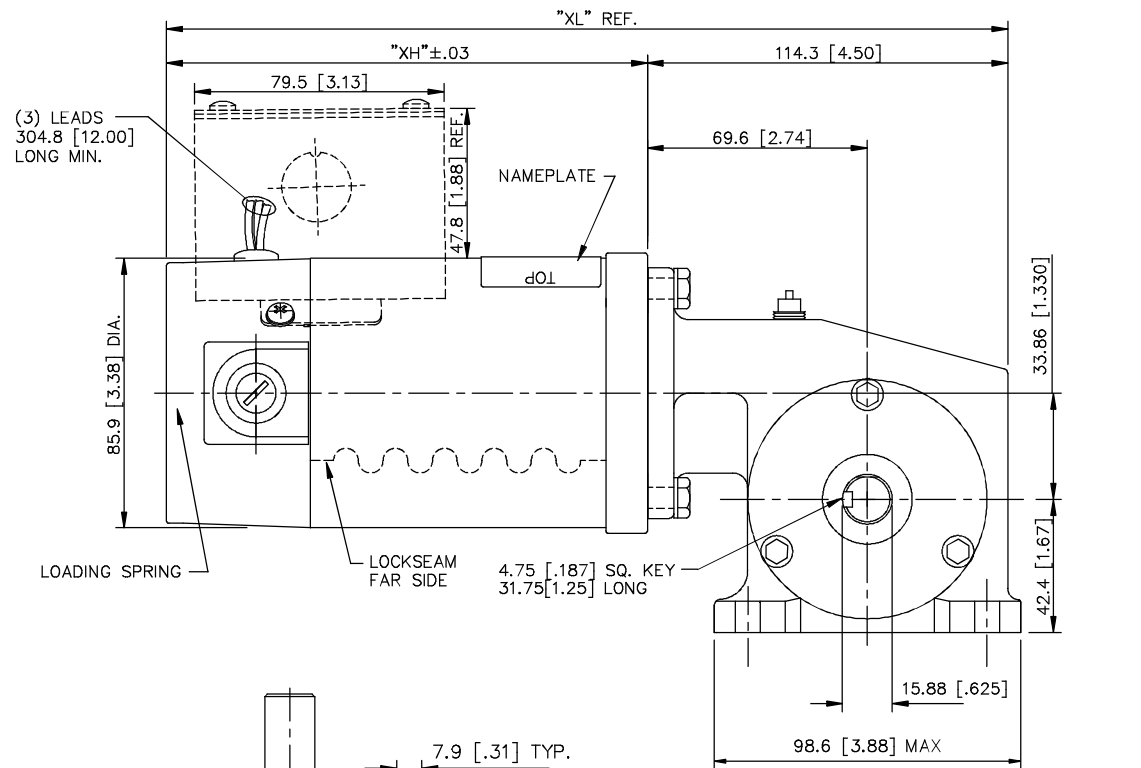
Output HP	0.25 Hp	Output KW	0.19 kW
Voltage	180 V	Current	1.3 A
Speed	83 rpm	Service Factor	1
Efficiency	34.5 %	Duty	Continuous
Insulation Class	H	Frame	34
Enclosure	Totally Enclosed Non Ventilated	Overload Protector	No
Ambient Temperature	40 °C	Drive End Bearing Size	6201
Opp Drive End Bearing Size	608	UL	Recognized
CSA	Y	CE	Y

Technical Specifications

Rotation	Reversible	Mounting	Special
Shaft Type	Right Angle	Overall Length	12.64 in
Frame Length	5.81 in	Shaft Diameter	0.625 in
Shaft Extension	1.8 in		
Outline Drawing	M1030443-M1135063	Connection Diagram	M100512401


This is an uncontrolled document once printed or downloaded and is subject to change without notice. Date Created: 10/15/2018

M1030443.00

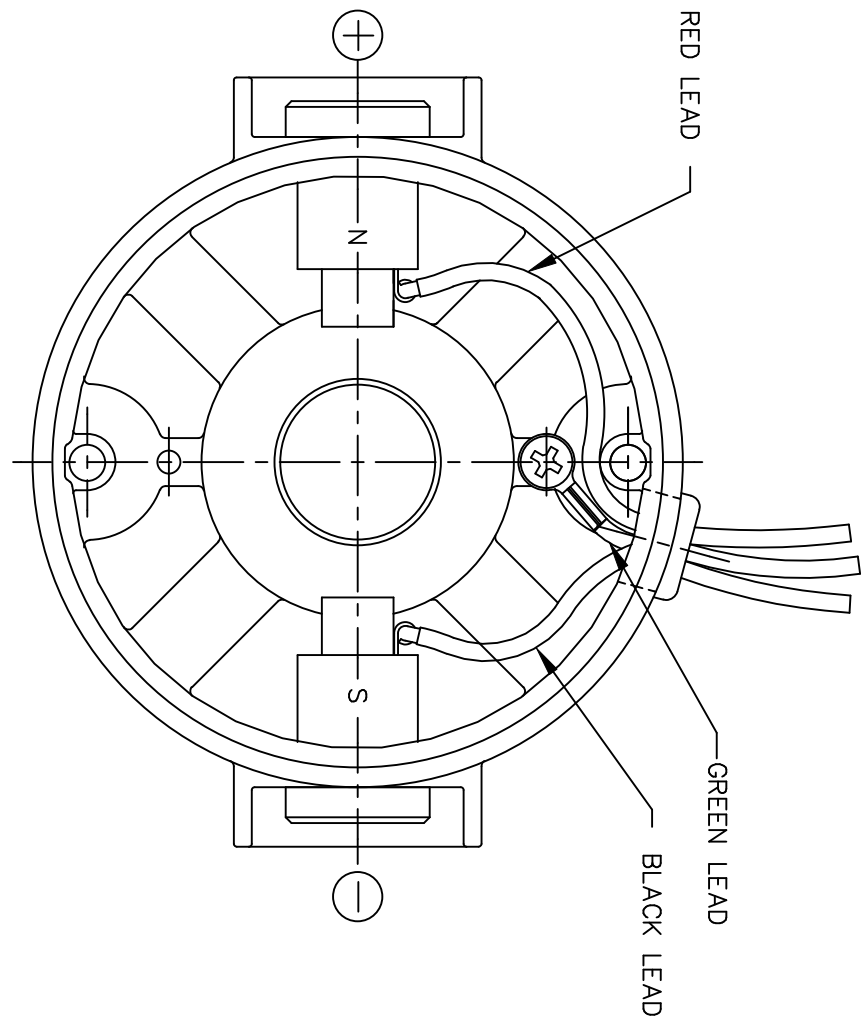


VIEW Z - Z

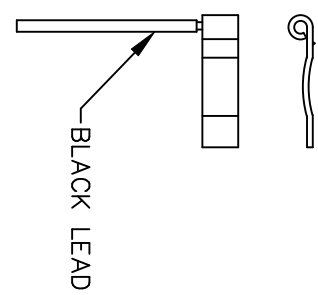
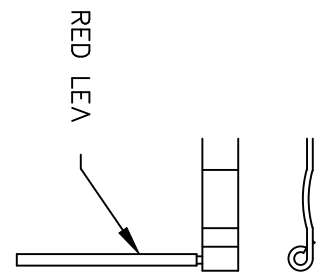
CATALOG NUMBER	SPEED RANGE RPM	FULL LOAD TORQUE LB.-IN.	INPUT HP	OVERHUNG LOAD LBS.	GEARMOTOR TYPE & FRAME	RATIO TO 1	"XH"	"XL"
M1135053.00	42-7	30	1/12	235	13F60-34A	60	130.6 [5.14]	244.9 [9.64]
M1135054.00	62-1	35	1/12	235	13F40-34A	40	130.6 [5.14]	244.9 [9.64]
M1135055.00	125-2.1	18	1/12	235	13F20-34A	20	130.6 [5.14]	244.9 [9.64]
M1135056.00	250-4	12	1/12	235	13F20-34A	10	130.6 [5.14]	244.9 [9.64]
M1135057.00	500-8	7	1/12	235	13F20-34A	5	130.6 [5.14]	244.9 [9.64]
M1135058.00	62-1	70	1/8	235	13F40-34C	40	156.0 [6.14]	270.3 [10.64]
M1135059.00	125-2.1	45	1/8	235	13F20-34C	20	156.0 [6.14]	270.3 [10.64]
M1135060.00	250-4	25	1/8	235	13F10-34C	10	156.0 [6.14]	270.3 [10.64]
M1135061.00	500-8	13	1/8	235	13F05-34C	5	156.0 [6.14]	270.3 [10.64]
M1135062.00	62-1	135	1/4	235	13F40-34G	40	206.8 [8.14]	321.1 [12.64]
M1135063.00	83-1.4	125	1/4	235	13F30-34G	30	206.8 [8.14]	321.1 [12.64]
M1135064.00	125-2.1	90	1/4	235	13F20-34G	20	206.8 [8.14]	321.1 [12.64]
M1135065.00	250-4	50	1/4	235	13F10-34G	10	206.8 [8.14]	321.1 [12.64]
M1135066.00	500-8	30	1/4	235	13F05-34G	5	206.8 [8.14]	321.1 [12.64]

07	CHANGED TO DIE CAST GEARBOX PER ECN 06-3023.	RPB 7/11/06	BC	TOLERANCES UNLESS SPECIFIED	 ELECTRIC MOTORS GEARMOTORS AND DRIVES	DRAWN	SPV 05/11/95			
06	CORRECTED VIEW "Z-Z" PER OTHER TWO VIEWS PER ECR 73469	BPW 03/14/02	SAD	DEC. INCHES		CHK				
05	CORRECTED LENGTH OF KEY: 1.25 WAS 1.00	IPG 11/15/00		.XX ±.03	TITLE	SCALE	5=8			
04	DIM 1.50 WAS 1.25	SAD 05/04/98		.XXX ±.005		REF	M1030350			
03	1.83/1.77 WAS 1.53/1.47, 3.33/3.27 WAS	SAD 05/04/98		.XXX ±.0005	MAT'L	FMF	M1135053.00			
NO.	REVISION	BY & DATE	CHK	ANG ±1/2"	FINISH	LEESON	PREV			
THIS DRAWING IN DESIGN AND DETAIL IS OUR PROPERTY AND MUST NOT BE USED EXCEPT IN CONNECTION WITH OUR WORK ALL RIGHTS OF DESIGN AND INVENTION ARE RESERVED THIS IS AN ELECTRONICALLY GENERATED DOCUMENT - DO NOT SCALE THIS PRINT					RFP	CAD FILE	M1030443	SIZE	DRAWING NO.	REV.
					DIST			B	M1030443.00	07

D.C. MOTORS



EXTERNAL CONNECTIONS FOR CW ROTATION
 VIEWING LEAD END OF MOTOR WITH RED LEAD
 POSITIVE AND BLACK LEAD NEGATIVE (-)
 FOR CCW ROTATION REVERSE POLARITY



07	CORRECTED "N" & "S", ECR 80000 (PER BC)	VS	8/14/02	BC	TOLERANCES UNLESS SPECIFIED		LEESON ELECTRIC MOTORS GEARMOTORS AND DRIVES	DRAWN	SPV 12/10/91
06	REMOVED GROUND HOLE	TMZ	3/16/95	DEC.	INCHES			CHK	DWF 5/20/92
05	REVERSE ROTATION WAS CW	SPV	6/3/94	.X	±.1		TITLE	APPD	
04	CHANGED ROTATION FROM CCW TO CW	MJS	3/9/93	.XX	±.01			SCALE	1=1
03	REVISED ROTATION NOTE	DWF	1/6/93	.XXX	±.005		MAT'L.	REF	
02	ADDED GREEN LEAD	DWF	8/1/92	.XXXX	±.0005			FINISH	FMF M9131D2N22
NO.	REVISION	BY & DATE	CHK	ANG	±1/2"			PREV	
THIS DRAWING IN DESIGN AND DETAIL IS OUR PROPERTY AND MUST NOT BE USED EXCEPT IN CONNECTION WITH OUR WORK ALL RIGHTS OF DESIGN AND INVENTION ARE RESERVED THIS IS AN ELECTRONICALLY GENERATED DOCUMENT - DO NOT SCALE THIS PRINT				RFP	CAD FILE	M100512401	SIZE	DRAWING NO.	REV.
				DIST			A	M1005124.01	07