

PRODUCT INFORMATION PACKET



Model No: CM34D25NZ157A
Catalog No: M1135246.00
...29:1.83RPM.155LBIN.1/4HP.34....12V.DC.TENV
PE350 Series



Regal and Leeson are trademarks of Regal Beloit Corporation or one of its affiliated companies.
©2018 Regal Beloit Corporation, All Rights Reserved. MC017097E





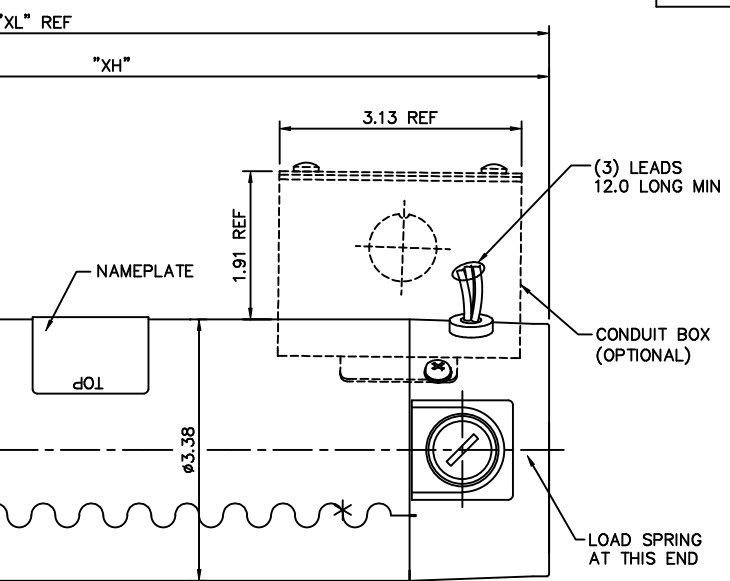
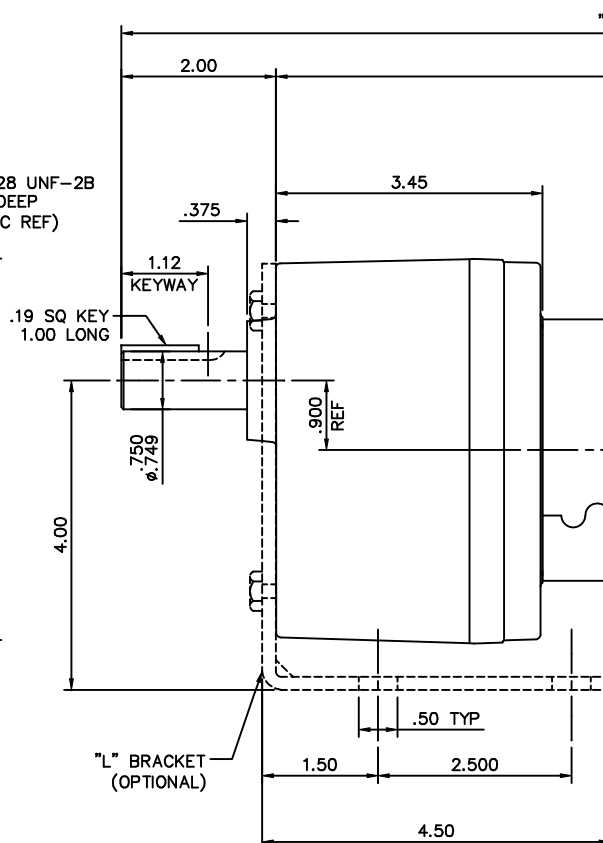
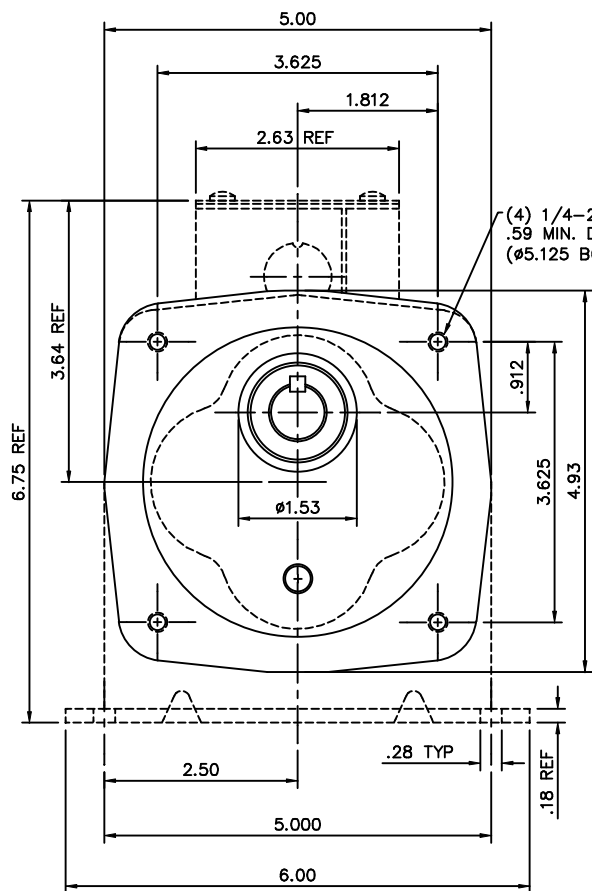
Nameplate Specifications

Output HP	0.25 Hp	Output KW	0.19 kW
Voltage	12 V	Current	21.0 A
Speed	83 rpm	Service Factor	1
Efficiency	65.2 %	Duty	Continuous
Insulation Class	F	Frame	34
Enclosure	Totally Enclosed Non Ventilated	Overload Protector	No
Ambient Temperature	40 °C	Drive End Bearing Size	6201
Opp Drive End Bearing Size	608	UL	Recognized
CSA	Y	CE	N

Technical Specifications

Rotation	Reversible	Mounting	Special
Shaft Type	Parallel	Overall Length	13.31 in
Frame Length	6.06 in	Shaft Diameter	0.750 in
Shaft Extension	1.625 in		
Outline Drawing	M1030807-M1135246	Connection Diagram	M100514301

This is an uncontrolled document once printed or downloaded and is subject to change without notice. Date Created: 10/15/2018



CATALOG NUMBER	OUTPUT RPM	FULL LOAD TORQUE LB.-IN.	F.L. AMPS	INPUT HP	OVERHUNG LOAD LBS.	GEARMOTOR TYPE & FRAME	RATIO TO 1	"XL"	"XH"
M1135243.00	14	341	8.7	1/8	465	P353-34	180	11.05	9.05
M1135244.00	42	325	21	1/4	327	P353-34	58	13.31	11.31
M1135245.00	62	220	21	1/4	303	P353-34	43	13.31	11.31
M1135246.00	83	155	21	1/4	267	P353-34	29	13.31	11.31

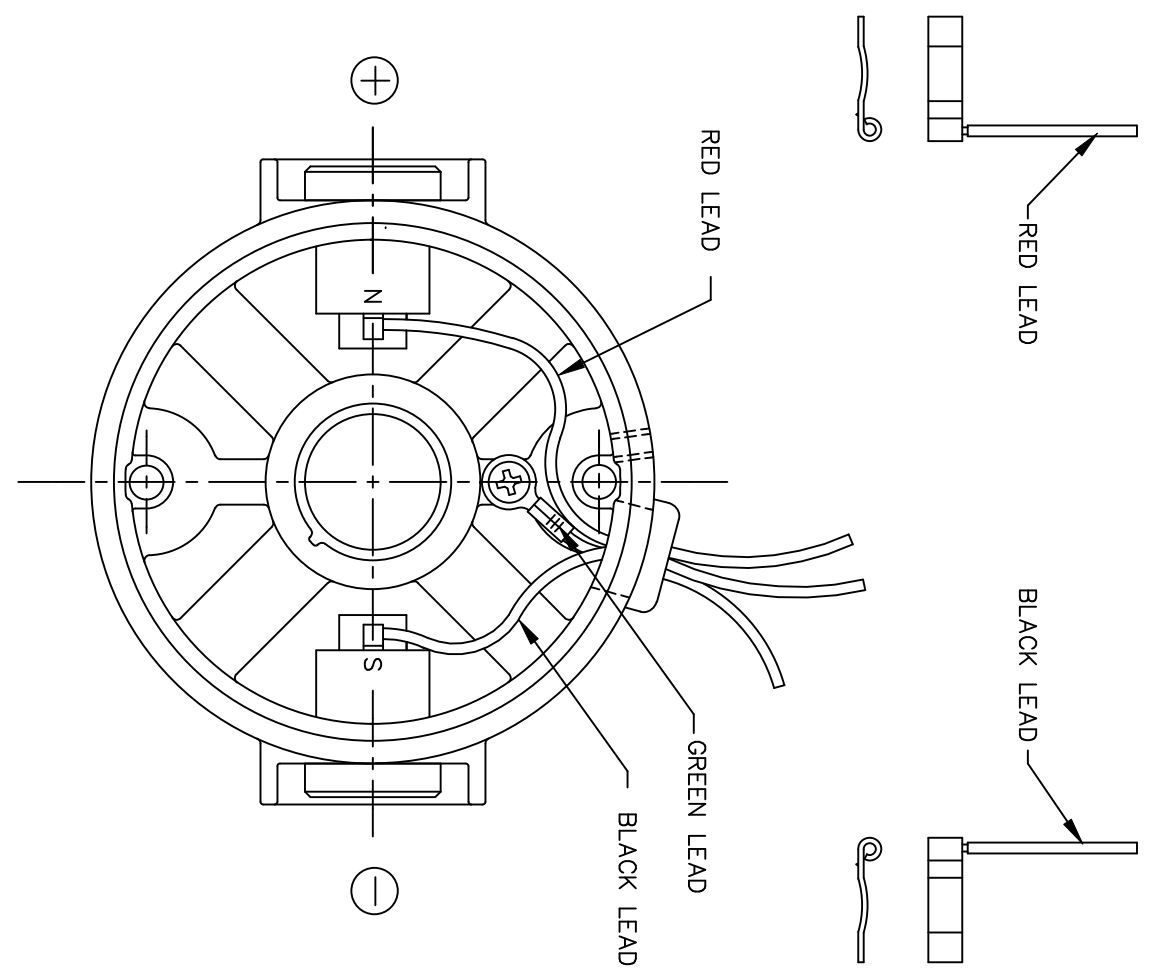
		TOLERANCES UNLESS SPECIFIED			ELECTRIC MOTORS GEARMOTORS AND DRIVES	DRAWN	IPG 1/11/01			
		DEC.	INCHES			CHK				
04	1/4-28 UNF-2B TAPS WERE .63 DEEP PER ECR81849.	RPB 12/1/03	BC .X	±.1	TITLE	OUTLINE - 34 FRAME D.C. PE350 GEARBOX - 12 V	APPD SAD 1/11/01			
03	ADDED ITEM # M1135246.00	IPG 1/23/01	SAD .XX	±.03	SCALE	5=8				
02	ADDED ITEM # M1135245.00	IPG 1/22/01	SAD .XXX	±.005	REF	M1030589.00				
01	ADDED ITEM # M1135244.00	IPG 1/17/01	SAD .XXXX	±.0005	MAT'L	FMF M1135243.00				
NO.	REVISION	BY & DATE	CHK	ANG ±1/2"	FINISH	LEESON	PREV			
THIS DRAWING IN DESIGN AND DETAIL IS OUR PROPERTY AND MUST NOT BE USED EXCEPT IN CONNECTION WITH OUR WORK ALL RIGHTS OF DESIGN AND INVENTION ARE RESERVED THIS IS AN ELECTRONICALLY GENERATED DOCUMENT - DO NOT SCALE THIS PRINT					RFP	CAD FILE	M1030807	SIZE	DRAWING NO.	REV.
					DIST			B	M1030807.00	04

```
ERROR: syntaxerror  
OFFENDING COMMAND: --nostringval--
```

```
STACK:
```

```
-dictionary-  
/Pscript_WinNT_Compat  
-dictionary-
```

D.C. MOTORS



EXTERNAL CONNECTIONS FOR CW ROTATION
 VIEWING LEAD END OF MOTOR WITH RED LEAD
 POSITIVE AND BLACK LEAD NEGATIVE (-)
 FOR CCW ROTATION REVERSE POLARITY

				TOLERANCES UNLESS OTHERWISE SPECIFIED		LEESON ELECTRIC CORPORATION			
				DECIMALS					
03	CORRECTED "N" AND "S", ECR 80000 (PER B.C.)	VS	08/15/02	.00	± .01	DRAWN DWF 3/26/93	TITLE CONNECTION DIAGRAM		
02	ROTATED DETAIL VIEWS OF LEADS	SAD	2/4/98	.000	± .005	CH'K'D.			
01	REVERSE ROTATION WAS CW	SPV	6/3/94	.0000	± .0005	APPR.	MAT'L.		
NO.	REVISION	BY	DATE	FRACTIONS	± 1/64	SCALE 1=1			
THIS DRAWING IN DESIGN AND DETAIL IS OUR PROPERTY AND MUST NOT BE USED EXCEPT IN CONNECTION WITH OUR WORK ALL RIGHTS OF DESIGN OR INVENTION ARE RESERVED				ANGLES	± 1/2'	REF. M1005124	FINISH LEESON	SIZE A	DRAWING NO.
				INCH/MM		FMF M1125046	STOCK		M1005143-01

```
ERROR: syntaxerror  
OFFENDING COMMAND: --nostringval--
```

```
STACK:
```

```
/p2e  
-savelevel-
```