

PRODUCT INFORMATION PACKET



Model No: CM38P17FZ9C

Catalog No: M1145030.00

..1/6HP..16RPM.38.TEFC.115/230V.1PH.60HZ.....CM38P17FZ9C.P240...103:1.AC GEARMOTORS SUB-FHP..391LBIN.....

P240 Series



Regal and Leeson are trademarks of Regal Beloit Corporation or one of its affiliated companies.

©2018 Regal Beloit Corporation, All Rights Reserved. MC017097E





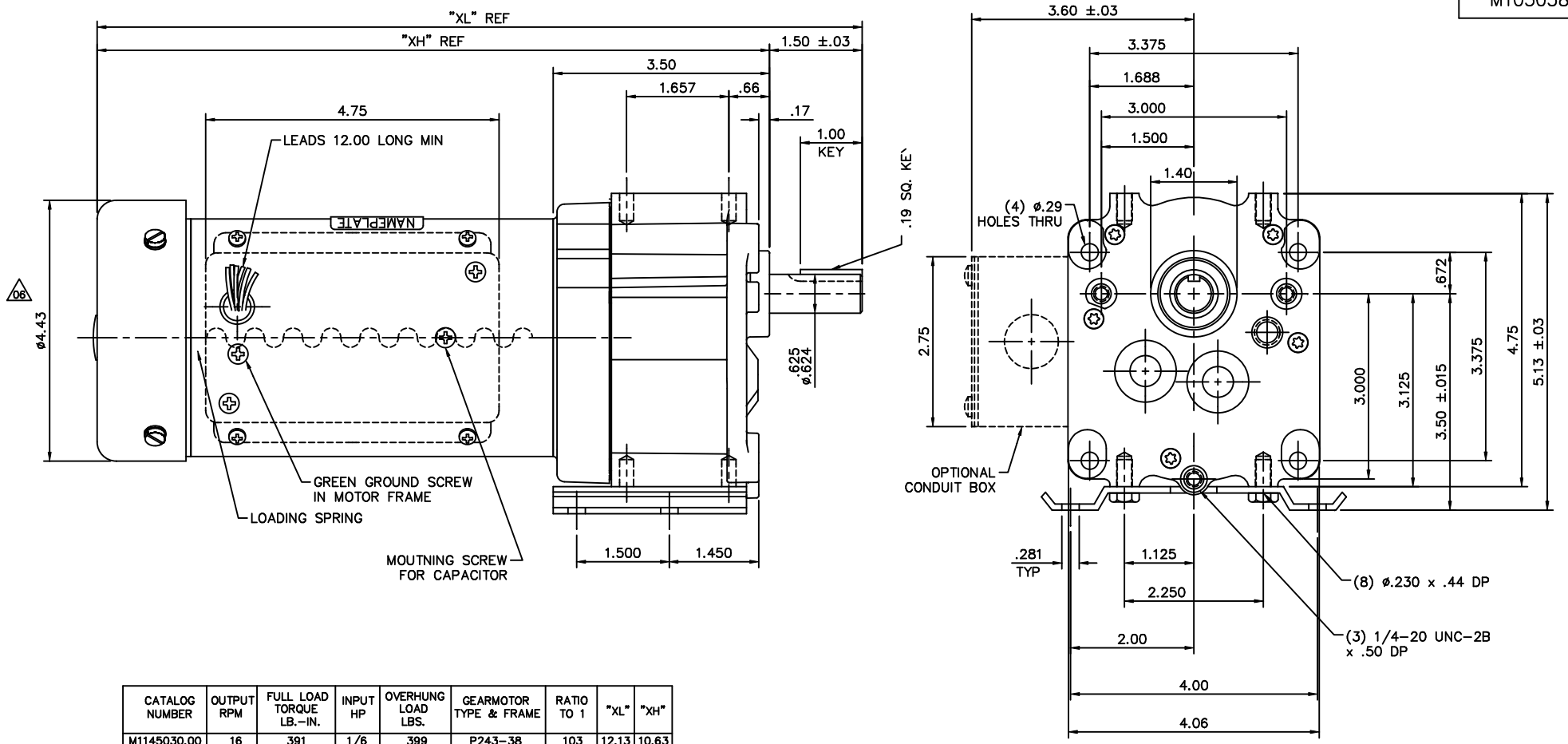
Nameplate Specifications

Output HP	0.16 Hp	Output KW	0.12 kW
Frequency	60 Hz	Voltage	115 V
Current	2.1/1.1 A	Speed	16 rpm
Service Factor	1	Phase	1
Duty	Continuous	Insulation Class	F
KVA Code	D	Frame	38
Enclosure	Totally Enclosed Fan Cooled	Overload Protector	No
Ambient Temperature	40 °C	Drive End Bearing Size	6201
Opp Drive End Bearing Size	6201	UL	Recognized
CSA	Y	CE	Y

Technical Specifications

Rotation	Reversible	Mounting	Special
Shaft Type	Parallel	Overall Length	12.13 in
Frame Length	5.88 in	Shaft Diameter	0.625 in
Shaft Extension	1.5 in		
Outline Drawing	M1030381	Connection Diagram	M1005040.02

This is an uncontrolled document once printed or downloaded and is subject to change without notice. Date Created: 10/15/2018

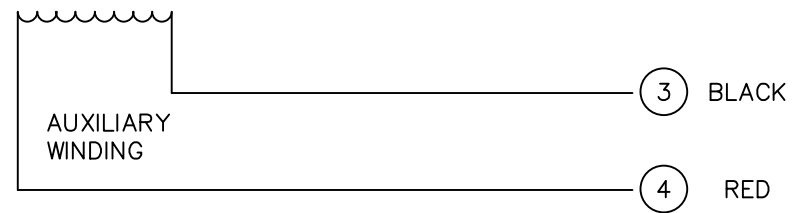
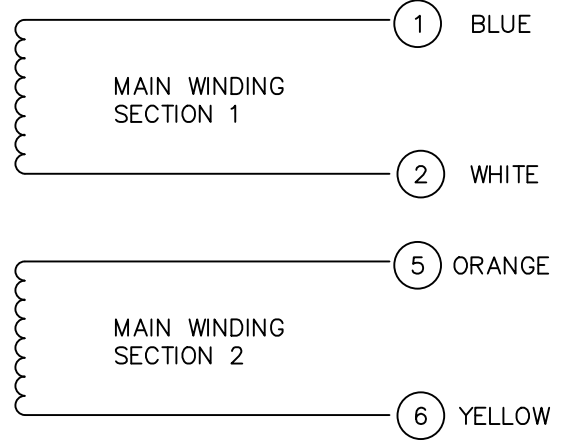
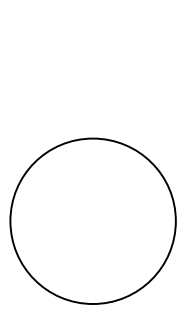


CATALOG NUMBER	OUTPUT RPM	FULL LOAD TORQUE LB.-IN.	INPUT HP	OVERHUNG LOAD LBS.	GEARMOTOR TYPE & FRAME	RATIO TO 1	"XL"	"XH"
M1145030.00	16	391	1/6	399	P243-38	103	12.13	10.63
M1145031.00	30	295	1/6	330	P243-38	58	12.13	10.63
M1145032.00	40	219	1/6	303	P243-38	43	12.13	10.63
M1145033.00	60	157	1/6	268	P242-38	29	12.13	10.63
M1145034.00	90	103	1/6	237	P242-38	19	12.13	10.63
M1145035.00	156	60	1/6	201	P242-38	10.6	12.13	10.63

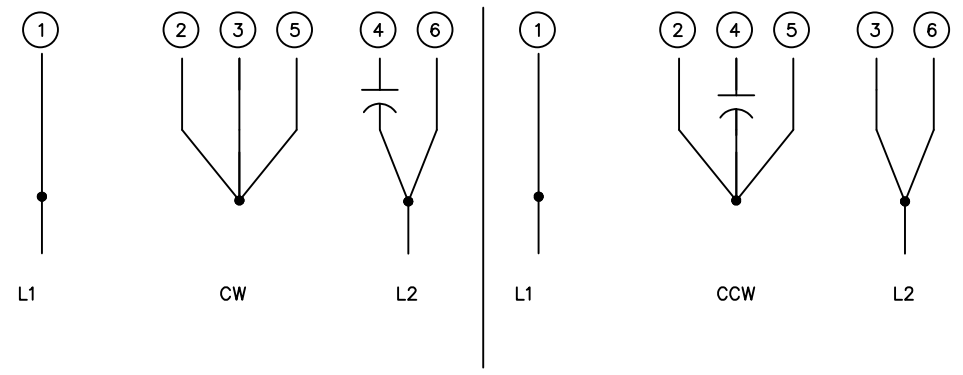
07	EXTENDED 3 PT MOUNTING HOLES .14" TO MAKE FLUSH	RLW 6/25/02		TOLERANCES UNLESS SPECIFIED	LEESON ELECTRIC MOTORS GEARMOTORS AND DRIVES	DRAWN DWF 10/03/94
06	ADDED FANGUARD DIM	BPW 12/19/01	DEC.	INCHES		CHK
05	REV'D NAMEPLATE APPEARANCE FOR ASEMBLY	BJB 12/11/01	DWF	.X ±.1	APPD SPV 10/03/94	
	CLARITY PER ECR 65231		.XX	±.03	TITLE	SCALE 5-8
04	3.50 WAS 3.562, 5.13 WAS 5.19	SPV 04/28/97	.XXX	±.005	OUTLINE DRAWING	REF
03	ADDED FLAT TO FAN SHROUD	DWF 09/23/96	.XXXX	±.0005	P240 GEARMOTOR - 38 FRAME A.C.	FMF M1145030
NO.	REVISION	BY & DATE	CHK	ANG ±1/2"	MAT'L	PREV
THIS DRAWING IN DESIGN AND DETAIL IS OUR PROPERTY AND MUST NOT BE USED EXCEPT IN CONNECTION WITH OUR WORK ALL RIGHTS OF DESIGN AND INVENTION ARE RESERVED THIS IS AN ELECTRONICALLY GENERATED DOCUMENT - DO NOT SCALE THIS PRINT					RFP	CAD FILE M1030381
					SIZE B	DRAWING NO. M1030381
					DIST	REV. 07

M1005040.02

COLORED LEADS

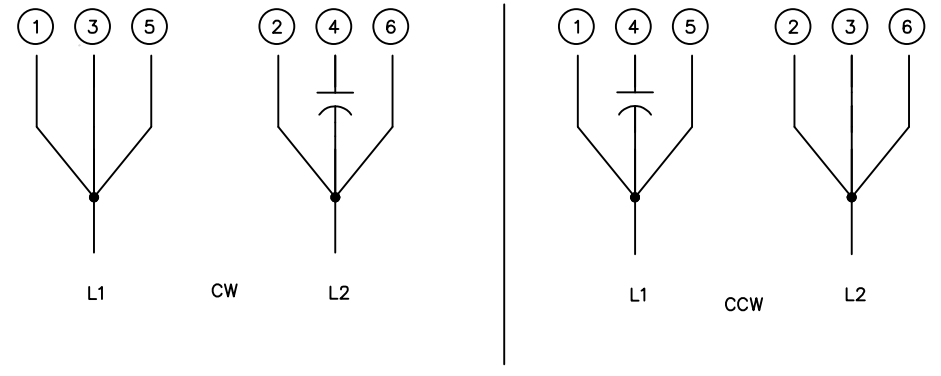


HIGH VOLTAGE CONNECTIONS



ROTATION VIEWING LEAD END OF MOTOR

LOW VOLTAGE CONNECTIONS



ROTATION VIEWING LEAD END OF MOTOR

				TOLERANCES UNLESS OTHERWISE SPECIFIED		LEESON ELECTRIC CORPORATION				
				DECIMALS						
				.00	± .01	DRAWN	DK	TITLE EXTERNAL WIRING DIAGRAM DUAL VOLTAGE DUAL ROTATION		
02	REDRAWN ON CAD	AJR	6/28/99	.000	± .005	CH'K'D.	10/3/91			
01	REMOVED CAP FROM LEFT DIAGRAM	DD	9/16/95	.0000	± .0005	APPR.	10/3/91	MAT'L.		
NO.	REVISION	BY	DATE	FRACTIONS	± 1/64	SCALE	NONE			
THIS DRAWING IN DESIGN AND DETAIL IS OUR PROPERTY AND MUST NOT BE USED EXCEPT IN CONNECTION WITH OUR WORK ALL RIGHTS OF DESIGN AND INVENTION ARE RESERVED				ANGLES	± 1/2°	REF.	FINISH		SIZE	DRAWING NO.
				INCH/MM		FMF			PR91376	LECO CORP.