

DUTY MASTER ALTERNATING CURRENT MOTORS

SQUIRREL-CAGE INDUCTION
CAST IRON CONSTRUCTION

FRAMES 444TS-445TS

COOLING: SELF-VENTILATED

ENCLOSURE: PROTECTED
MOUNTING: FOOT

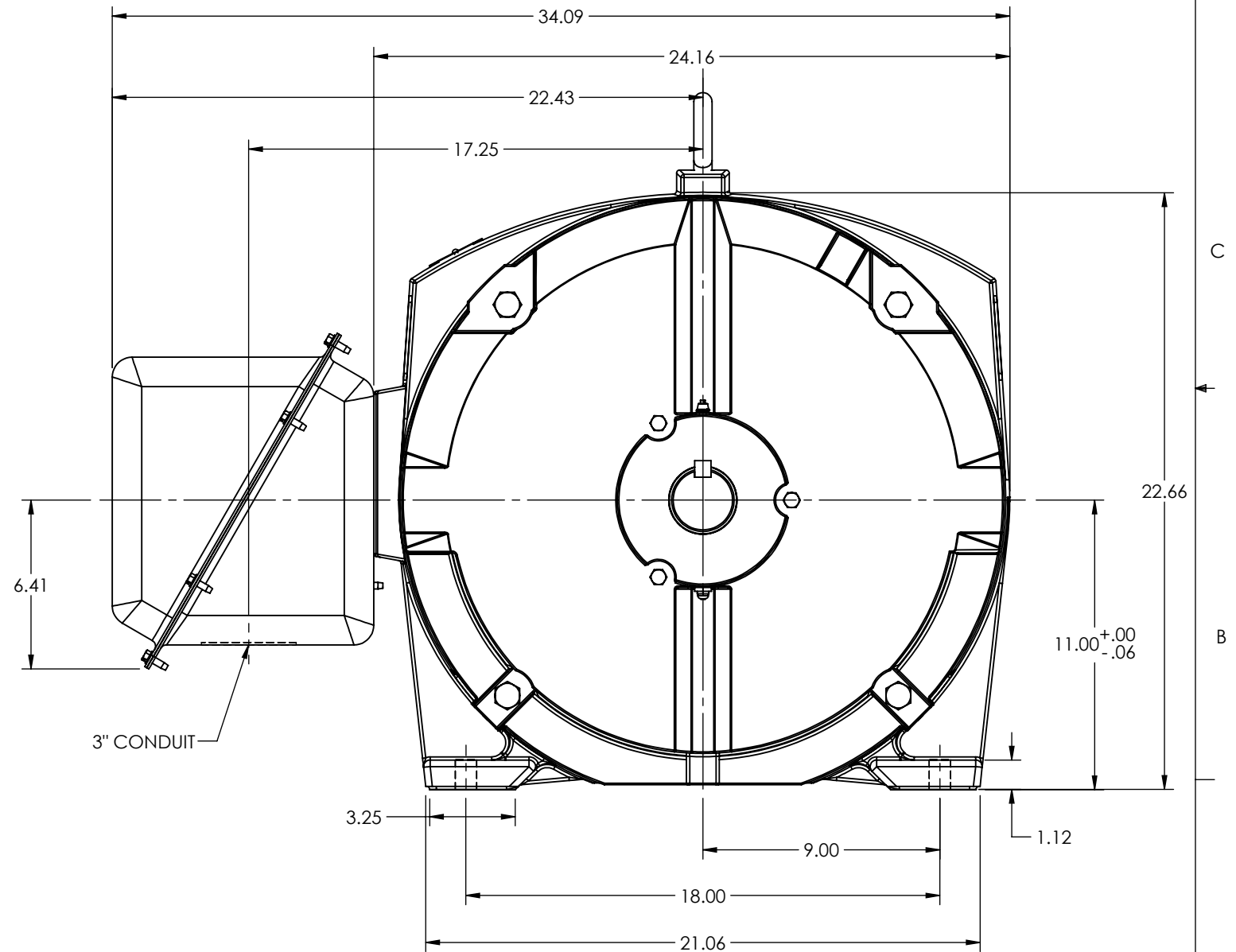
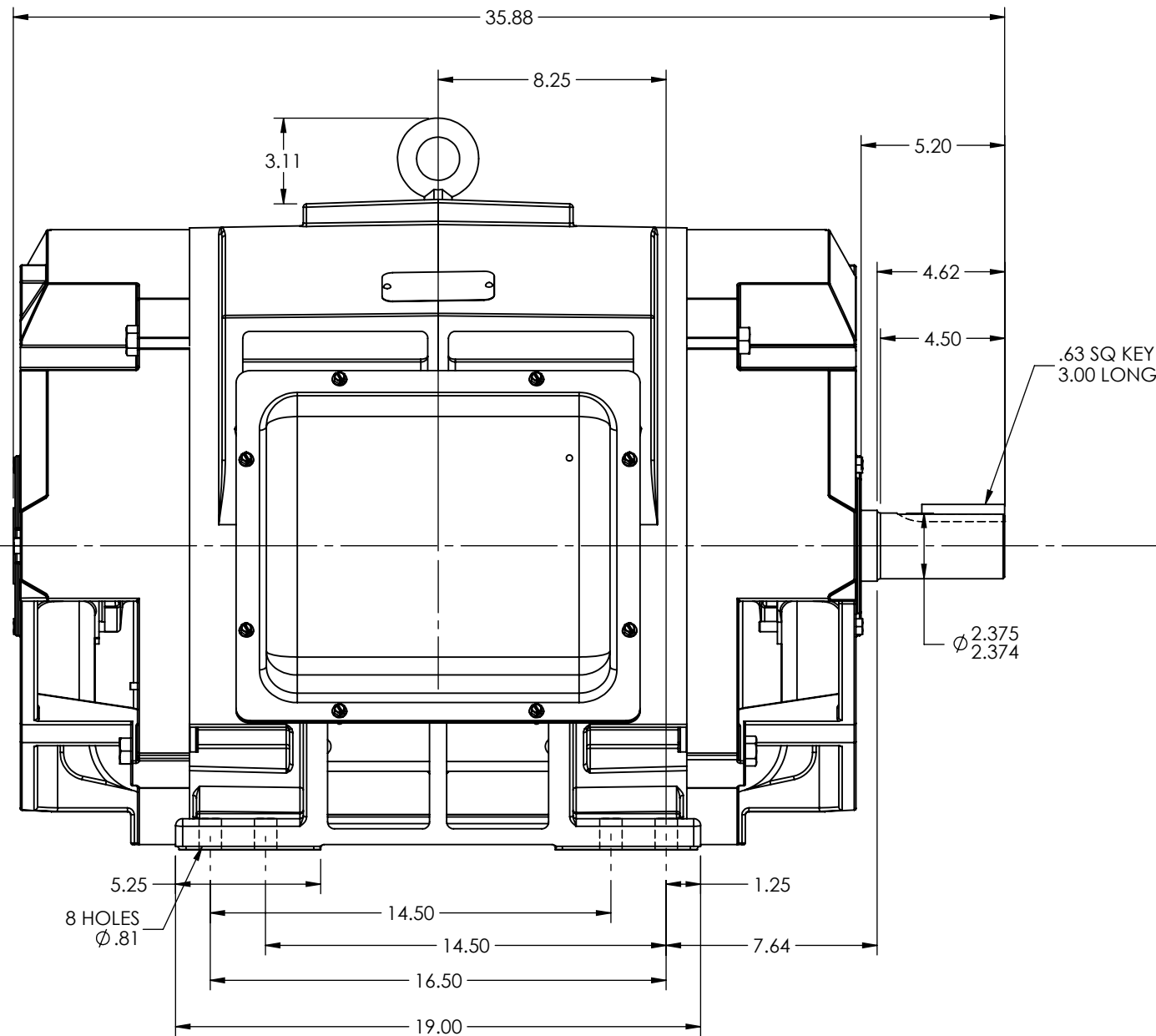
617428-044

D

C

B

A



D

C

B

A

MAXIMUM PERMISSIBLE SHAFT RUNOUT WHEN MEASURED AT END OF STD. SHAFT EXTENSION IS .002 T.I.R. UP TO AND INCLUDING 1.625 DIA. AND .003 T.I.R. 1.625 DIA. TO 5 INCH DIA.

WEIGHT (LBS): 444TS = 1710
445TS = 1750

MOTOR WEIGHTS MAY VARY BY 15% DEPENDING UPON RATING.

CUSTOMER IS RESPONSIBLE FOR DETERMINING THAT BALDOR'S PRODUCT WILL PERFORM SUITABLY IN THE INTENDED APPLICATION

REV. DESC: CONDUIT WAS NPT			
REV: A	VERSION: 01	REVISED: 08:20:28 04/17/2018	TDR: 000001067288
MODEL NO. 617428-044			REF:
BY: RAGEC			B

BALDOR

DIM SHEET HOR 444-445TS PROT SV FT

617428-044

8

7

6

5

4

3

2

1