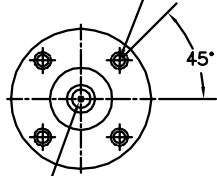
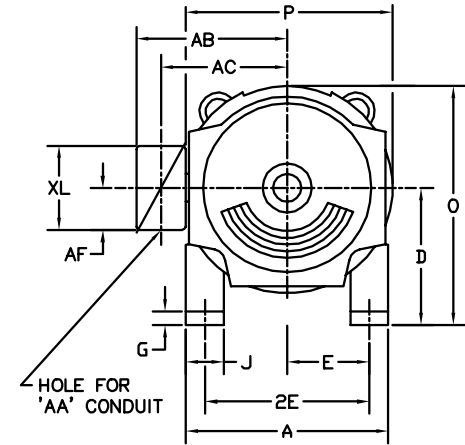
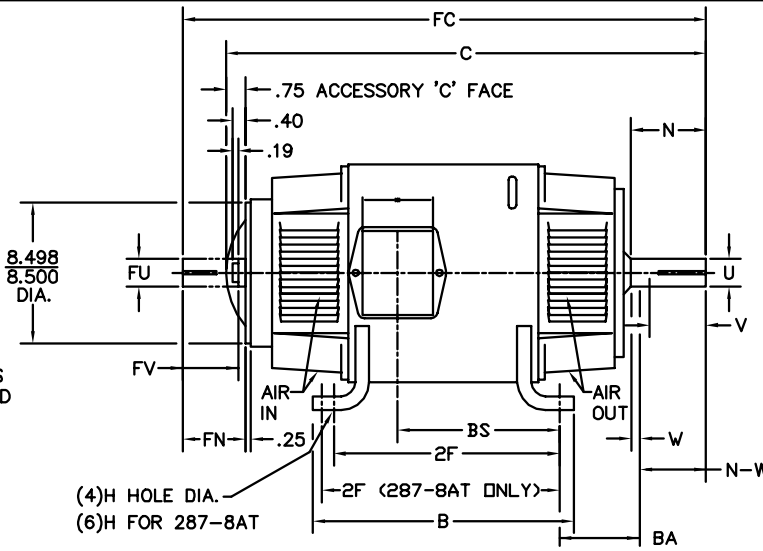


1/2-13UNC-2B THD X 1.00 DEEP
4-HOLES EQUALLY SPACED
ON A 7.250 DIA. B.C.



STANDARD COMM END
FOR SINGLE SHAFT EXTENSION



| FRAME | FOOT MOUNTING | | | | | | | D.E. SHAFT EXTENSION | | | | | DRIVE KEY | | ACC SHAFT EXTENSION | | | ACC KEY | | FRAME | | | | | | |
|---------|---------------|------|---------------|-----|------|------|------|----------------------|-------|-------------------|-----|---------|-----------|------|---------------------|------|---------|----------|-------|-------|-------|-------|-------------------|-------|-------|--|
| | BA | E | 2F | G | H | J | N | N-W | U | V | W | KEY-SQ. | KEY-LONG | FN | FU | FV | KEY-SQ. | KEY-LONG | A | B | C | FC | D | O | P | |
| 287AT | 4.75 | 5.50 | 12.50 | .69 | .531 | 2.50 | 3.91 | 3.75 | 1.875 | 3.50 ³ | .16 | .500 | 2.50 | 3.44 | 1.625 | 3.19 | .375 | 2.44 | 13.81 | 14.13 | 31.00 | 33.71 | 7.00 ² | 13.88 | 13.75 | |
| 287-8AT | 4.75 | 5.50 | 12.50 & 14.00 | .69 | .531 | 2.50 | 3.91 | 3.75 | 1.875 | 3.50 ³ | .16 | .500 | 2.50 | 3.44 | 1.625 | 3.19 | .375 | 2.44 | 13.81 | 15.62 | 31.00 | 33.71 | 7.00 ² | 13.88 | 13.75 | |
| 288AT | 4.75 | 5.50 | 14.00 | .69 | .531 | 2.50 | 3.91 | 3.75 | 1.875 | 3.50 ³ | .16 | .500 | 2.50 | 3.44 | 1.625 | 3.19 | .375 | 2.44 | 13.81 | 15.62 | 32.75 | 35.46 | 7.00 ² | 13.88 | 13.75 | |
| 2810AT | 4.75 | 5.50 | 18.00 | .69 | .531 | 2.50 | 3.91 | 3.75 | 1.875 | 3.50 ³ | .16 | .500 | 2.50 | 3.44 | 1.625 | 3.19 | .375 | 2.44 | 13.81 | 19.62 | 36.75 | 39.46 | 7.00 ² | 13.88 | 13.75 | |
| 2811AT | 4.75 | 5.50 | 20.00 | .69 | .531 | 2.50 | 3.91 | 3.75 | 1.875 | 3.50 ³ | .16 | .500 | 2.50 | 3.44 | 1.625 | 3.19 | .375 | 2.44 | 13.81 | 21.62 | 40.68 | 43.84 | 7.00 ² | 13.88 | 13.75 | |
| 2813AT | 4.75 | 5.50 | 25.00 | .69 | .531 | 2.50 | 3.91 | 3.75 | 1.875 | 3.50 ³ | .16 | .500 | 2.50 | 3.44 | 1.625 | 3.19 | .375 | 2.44 | 13.81 | 26.62 | 44.62 | 47.84 | 7.00 ² | 13.88 | 13.75 | |

| FRAME | CONDUIT BOX | | | | | | | ARM APPROX. WK ² LBS.FT. ² | APPROXIMATE WEIGHT |
|---------|-------------|-------|------|------|-------|------|------|--|--------------------|
| | AA | AB | AC | AF | BS | XL | XN | | |
| 287AT | 1 1/4 | 11.88 | 9.25 | 5.00 | 10.89 | 7.88 | 5.25 | 4.67 | 506 ⁵ |
| 287-8AT | 1 1/4 | 11.88 | 9.25 | 5.00 | 10.89 | 7.88 | 5.25 | 4.67 | 506 ⁵ |
| 288AT | 1 1/4 | 11.88 | 9.25 | 5.00 | 12.64 | 7.88 | 5.25 | 5.36 | 566 ⁵ |
| 2810AT | 1 1/4 | 11.88 | 9.25 | 5.00 | 16.64 | 7.88 | 5.25 | 6.80 | 726 ⁵ |
| 2811AT | 1 1/4 | 11.88 | 9.25 | 5.00 | 19.14 | 7.88 | 5.25 | 7.62 | 751 ⁵ |
| 2813AT | 1 1/4 | 11.88 | 9.25 | 5.00 | 23.64 | 7.88 | 5.25 | 9.40 | 796 ⁵ |

- 1) SHAFT DIAMETERS TO 1.500 TOLERANCE +.0000 - .0005
SHAFT DIAMETERS ABOVE 1.500 TOLERANCE +.0000 - .0010
SHAFT DIAMETERS TO 1.625 RUNOUT .002 T.I.R. MAX.
SHAFT DIAMETERS ABOVE 1.625 RUNOUT .003 T.I.R. MAX.
- 2) 'D' DIMENSION TOLERANCE +.000 - .060
- 3) 'V' DIMENSION IS MAX. HUB LENGTH ON SHAFT
- 4) CONDUIT BOX CAN BE ROTATED IN 90° STEPS ON ITS OWN AXIS.
- 5) TOTAL WEIGHT OF MOTOR.
- 6) ALL DIMENSIONS NOT NOTED ARE NOMINAL DIMENSIONS CONSULT FACTORY FOR TOLERANCES.

FOR F1 OR F2 CONDUIT BOX
LOCATION SEE SALES ORDER

CUSTOMER IS RESPONSIBLE FOR DETERMINING THAT BALDOR'S PRODUCT WILL PERFORM SUITABLY IN THE INTENDED APPLICATION.

| | | |
|-------------------------------------|------------------------------|------------------|
| REV. DESC: CHANGE TO LAB OFFICE 015 | | |
| REV. LTR: G | VERSION: 05 | TDR: 00000951746 |
| FILE: \RSN\00031\749 | REVISED: 04:29:16 11/03/2015 | BY: USPABLO |
| MTL: - | | |

BALDOR

DIM SHEET 287AT-2813AT,DPFG

SH 1 of 1