

Maximum Rating Tables

525 Series • All Styles



Single Reduction Reducers

Bravo® Worm - Worm Double Reduction

Bravo® Helical - Worm Double Reduction

Bravo® Accessory Kits

Quadro - Single Reduction

High Efficiency Helical - Inline

Style BMQ

Style HMQ



525 Series • Style BMQ & HMQ • 1.0 S.F.

Ratio	Input RPM	Output RPM	Input HP	Output HP	Output Torque (lb-in)	NEMA C Input Flange*	Left Hand Catalog No.	Right Hand Catalog No.	Double Extension Catalog No.	Hollow Output Catalog No.
7	1750	250	5.24	4.35	1097	56C	W5250034	W5250045	W5250056	W5250111
	1150	164	3.62	3.01	1155	140TC	W5250067	W5250078	W5250089	W5250122
10	1750	175	4.19	3.39	1222	56C	W5250035	W5250046	W5250057	W5250112
	1150	115	2.90	2.35	1287	140TC	W5250068	W5250079	W5250090	W5250123
15	1750	117	2.85	2.25	1214	56C	W5250036	W5250047	W5250058	W5250113
	1150	77	1.98	1.56	1278	140TC	W5250069	W5250080	W5250091	W5250124
19	1750	92	2.24	1.75	1197	56C	W5250037	W5250048	W5250059	W5250114
	1150	61	1.56	1.22	1260	140TC	W5250070	W5250081	W5250092	W5250125
24	1750	73	1.92	1.44	1246	56C	W5250038	W5250049	W5250060	W5250115
	1150	48	1.33	1.00	1312	140TC	W5250071	W5250082	W5250093	W5250126
30	1750	58	1.58	1.17	1274	56C	W5250039	W5250050	W5250061	W5250116
	1150	38	1.09	0.81	1341	140TC	W5250072	W5250083	W5250094	W5250127
36	1750	49	1.46	1.00	1281	56C	W5250040	W5250051	W5250062	W5250117
	1150	32	1.01	0.68	1349	140TC	W5250073	W5250084	W5250095	W5250128
45	1750	39	1.11	0.73	1182	56C	W5250041	W5250052	W5250063	W5250118
	1150	25.6	0.78	0.51	1244	140TC	W5250074	W5250085	W5250096	W5250129
67	1750	26.1	0.73	0.44	1069	56C	W5250042	W5250053	W5250064	W5250119
	1150	17.2	0.51	0.30	1125	140TC	W5250075	W5250086	W5250097	W5250130
80	1750	21.9	0.63	0.36	1034	56C	W5250043	W5250054	W5250065	W5250120
	1150	14.4	0.42	0.24	1089	140TC	W5250076	W5250087	W5250098	W5250131
94	1750	18.6	0.51	0.26	878	56C	W5250044	W5250055	W5250066	W5250121
	1150	12.2	0.34	0.18	924	140TC	W5250077	W5250088	W5250099	W5250132

* Contact Factory for metric IEC input flange options available.

Style B

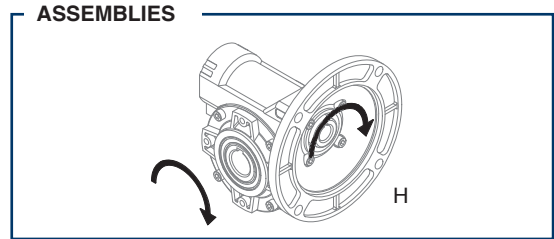
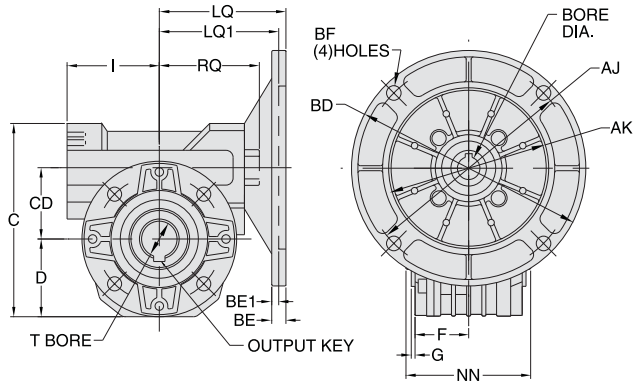
Style H



525 Series • Style B & H • 1.0 S.F.

Ratio	Input RPM	Output RPM	Input HP	Output HP	Output Torque (lb-in)	Left Hand Catalog No.	Right Hand Catalog No.	Double Extension Catalog No.	Hollow Output Catalog No.
7	1750	250	5.24	4.35	1097	W5250001	W5250012	W5250023	W5250100
	1150	164	3.62	3.01	1155				
10	1750	175	4.19	3.39	1222	W5250002	W5250013	W5250024	W5250101
	1150	115	2.90	2.35	1287				
15	1750	117	2.85	2.25	1214	W5250003	W5250014	W5250025	W5250102
	1150	77	1.98	1.56	1278				
19	1750	92	2.24	1.75	1197	W5250004	W5250015	W5250026	W5250103
	1150	61	1.56	1.22	1260				
24	1750	73	1.92	1.44	1246	W5250005	W5250016	W5250027	W5250104
	1150	48	1.33	1.00	1312				
30	1750	58	1.58	1.17	1274	W5250006	W5250017	W5250028	W5250105
	1150	38	1.09	0.81	1341				
36	1750	49	1.46	1.00	1281	W5250007	W5250018	W5250029	W5250106
	1150	32	1.01	0.68	1349				
45	1750	39	1.11	0.73	1182	W5250008	W5250019	W5250030	W5250107
	1150	25.6	0.78	0.51	1244				
67	1750	26.1	0.73	0.44	1069	W5250009	W5250020	W5250031	W5250108
	1150	17.2	0.51	0.30	1125				
80	1750	21.9	0.63	0.36	1034	W5250010	W5250021	W5250032	W5250109
	1150	14.4	0.42	0.24	1089				
94	1750	18.6	0.51	0.26	878	W5250011	W5250022	W5250033	W5250110
	1150	12.2	0.34	0.18	924				

Style HMQ



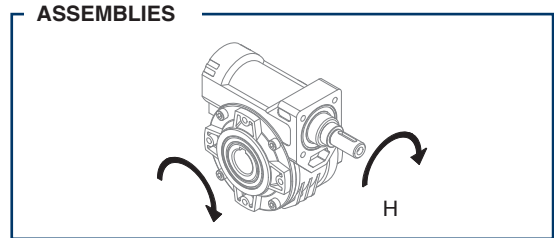
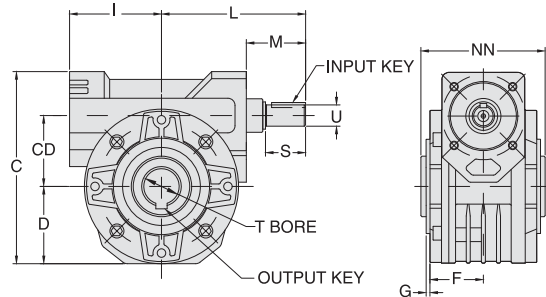
REVERSE ALL ARROWS FOR OPPOSITE INPUT SHAFT ROTATION. CONTACT FACTORY FOR OTHER MOUNTINGS OR ASSEMBLY POSITIONS.

STYLE HMQ DIMENSIONS - Inches (MM)

Series	C	CD	D	F	G	I	LQ* 56/140	LQ1* 180	NN	RQ	T* +0.0015 -0.0000	OUTPUT KEY*
512	3.54	1.18	1.54	1.18	0.08	1.81	*	N/A	2.16	2.21	(14) ●	(5) ●
518	4.76	1.77	1.93	1.38	0.08	2.16	3.33	N/A	2.56	2.60	0.750	3/16 X 1.00
520	5.33	1.97	2.15	1.50	0.12	2.56	3.51	N/A	3.19	2.83	1.000	1/4 X 1.62
525	6.69	2.48	2.76	1.77	0.19	3.11	4.08	N/A	4.72	3.58	1.125	1/4 X 2.00
534	9.15	3.35	3.72	2.52	0.14	3.86	4.83	5.35	5.31	4.33	1.500	3/8 X 2.00

● Dimension is in MM. Key is not provided with metric reducer options as standard.
Metric bore tolerance is H7.
* Metric options are available. Refer to dimensions on opposite page.
Contact Factory for availability of metric options.

Style H



REVERSE ALL ARROWS FOR OPPOSITE INPUT SHAFT ROTATION. CONTACT FACTORY FOR OTHER MOUNTINGS OR ASSEMBLY POSITIONS.

STYLE H DIMENSIONS** - Inches

Series	C	CD	D	F	G	I	L	M	NN	S	T +0.0015 -0.0000	U +0.000 -0.001	INPUT KEY	OUTPUT KEY
518	4.76	1.77	1.93	1.38	0.08	2.16	3.86	1.67	2.56	1.18	0.750	0.625	3/16 X 1.00	3/16 X 1.00
520	5.33	1.97	2.15	1.50	0.12	2.56	4.11	1.74	3.19	1.18	1.000	0.625	3/16 X 1.00	1/4 X 1.62
525	6.69	2.48	2.76	1.77	0.19	3.11	5.43	2.24	4.72	1.75	1.125	0.750	3/16 x 1.50	1/4 X 2.00
534	9.15	3.35	3.72	2.52	0.14	3.86	6.38	2.52	5.31	1.75	1.500	0.875	3/16 X 1.50	3/8 X 2.00

** Series 512 is available in this style. Contact Factory for details