

DUTY MASTER ALTERNATING CURRENT MOTORS

SQUIRREL-CAGE INDUCTION
CAST IRON CONSTRUCTION

ENCLOSURE: TOTALLY ENCLOSED
MOUNTING: FOOT

FRAMES 364T-365T

COOLING: FAN COOLED

D

D

C

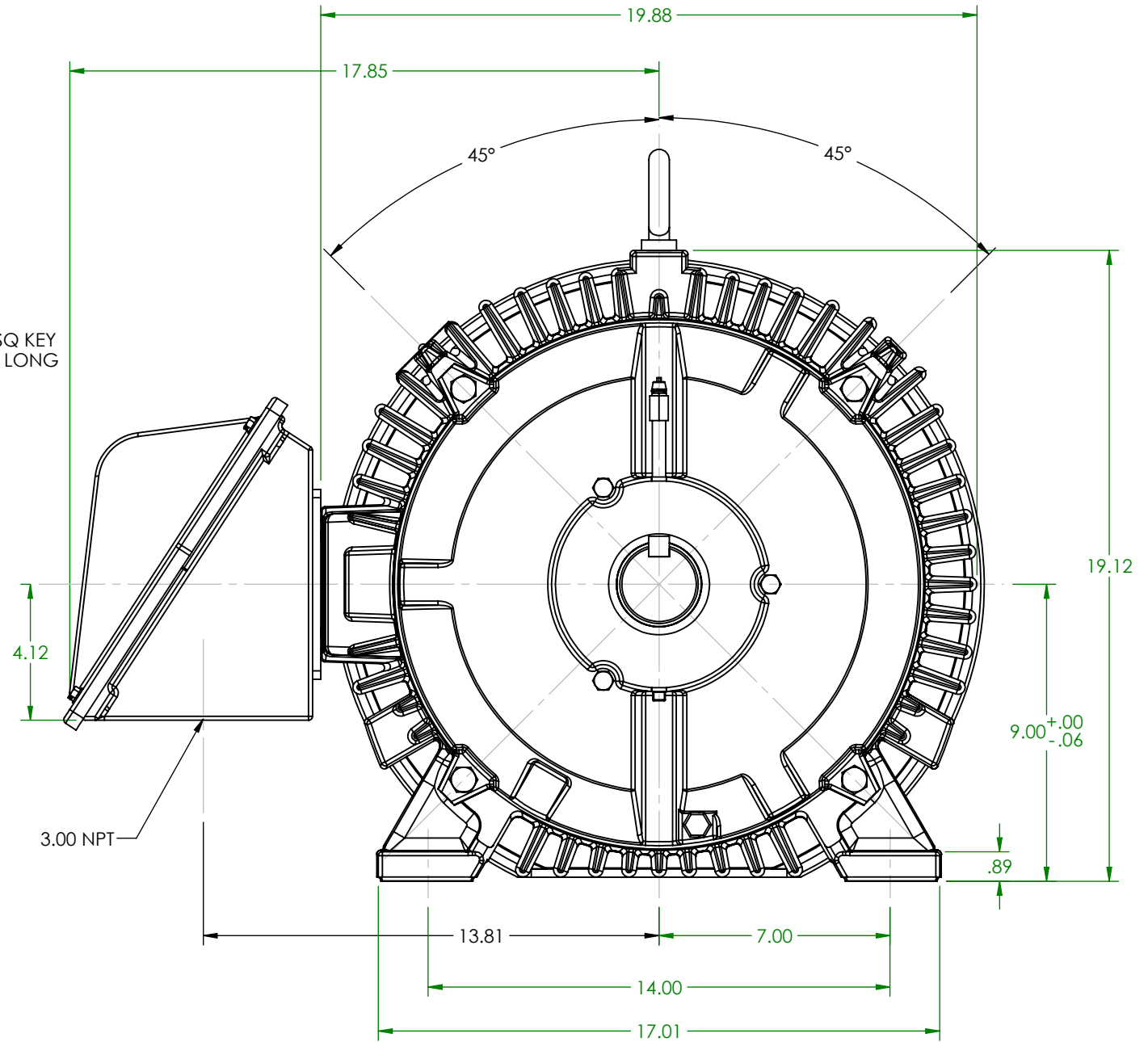
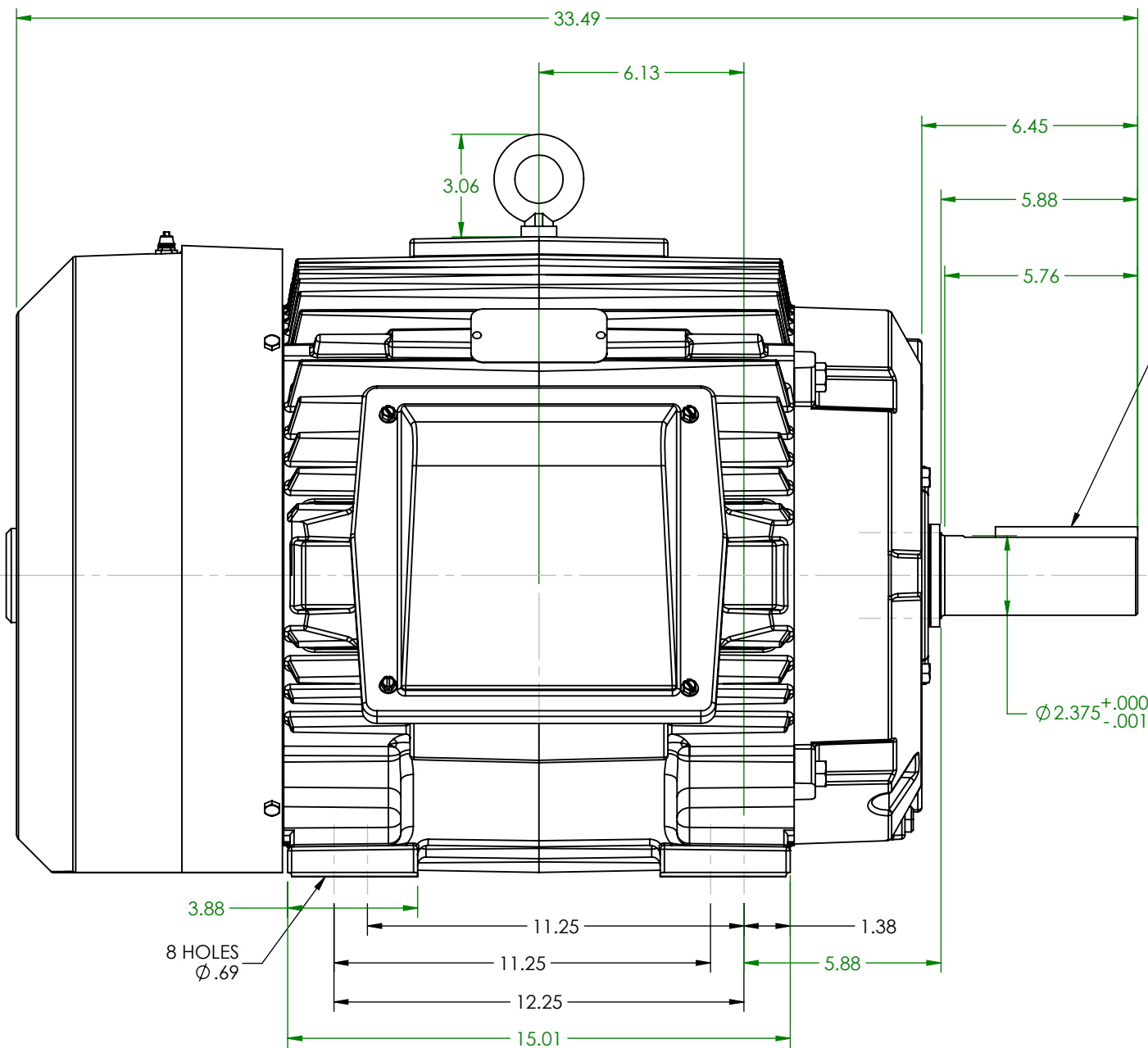
C

B

B

A

A



MAXIMUM PERMISSIBLE SHAFT RUNOUT WHEN MEASURED AT END OF STD. SHAFT EXTENSION IS .002 T.I.R. UP TO AND INCLUDING 1.625 DIA. AND .003 T.I.R. 1.625 DIA. TO 5 INCH DIA.

CONDUIT BOXES LOCATED ON OPPOSITE SIDE WHEN F-2, W-1, W-4, W-5, W-7, OR C-1 MOUNTING IS SPECIFIED

WEIGHT (LBS): 364T = 865
365T = 890

MOTOR WEIGHTS MAY VARY BY 15% DEPENDING UPON RATING.

CUSTOMER IS RESPONSIBLE FOR DETERMINING THAT BALDOR'S PRODUCT WILL PERFORM SUITABLY IN THE INTENDED APPLICATION

REV. DESC: ADD NOTE TO DRAWING			
REV: B	VERSION: 02	REVISED: 11:24:07 10/03/2014	TDR: 00000874508
MODEL NO. 617428-034		REF:	
BY: RAGAJH		B	

BALDOR

DIM SHEET HOR 364-5T TEFC XT

617428-034

617428-034

8

7

6

5

4

3

2

1

8

7

6

5

4

3

2

1