

# DUTY MASTER ALTERNATING CURRENT MOTORS

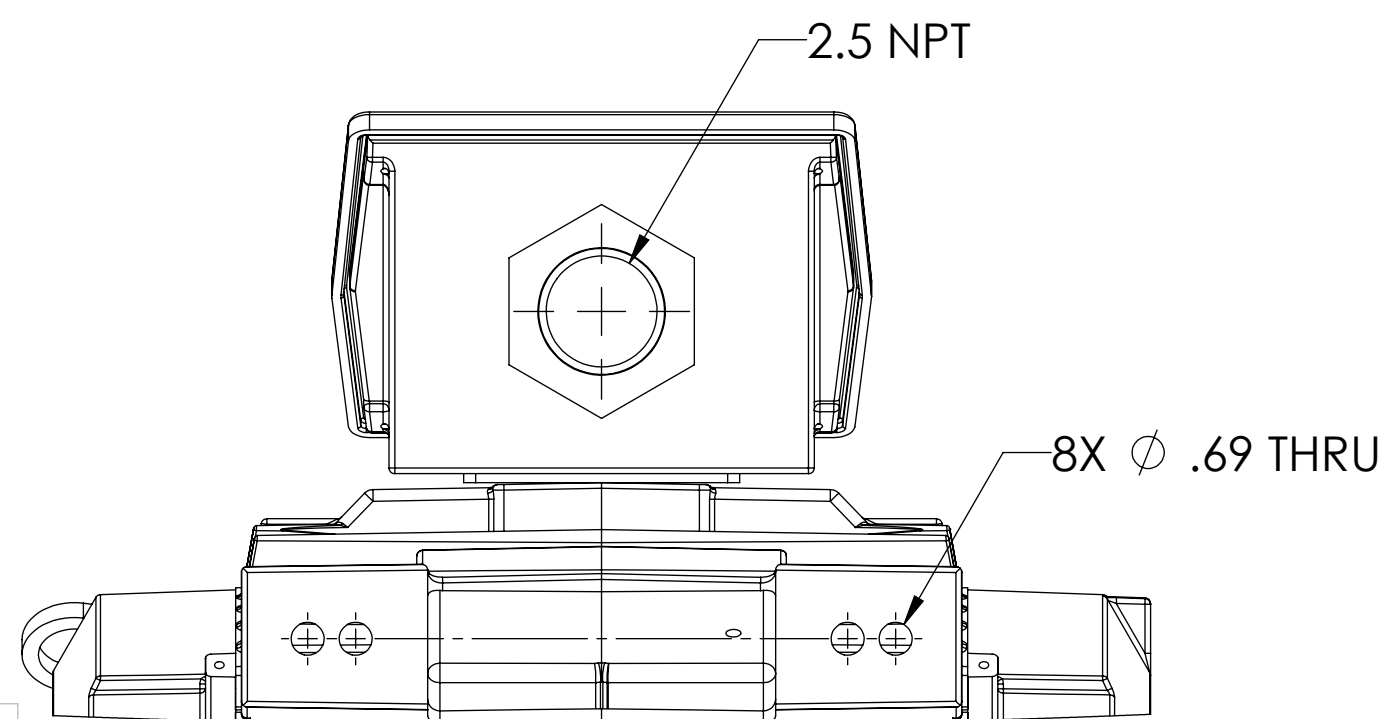
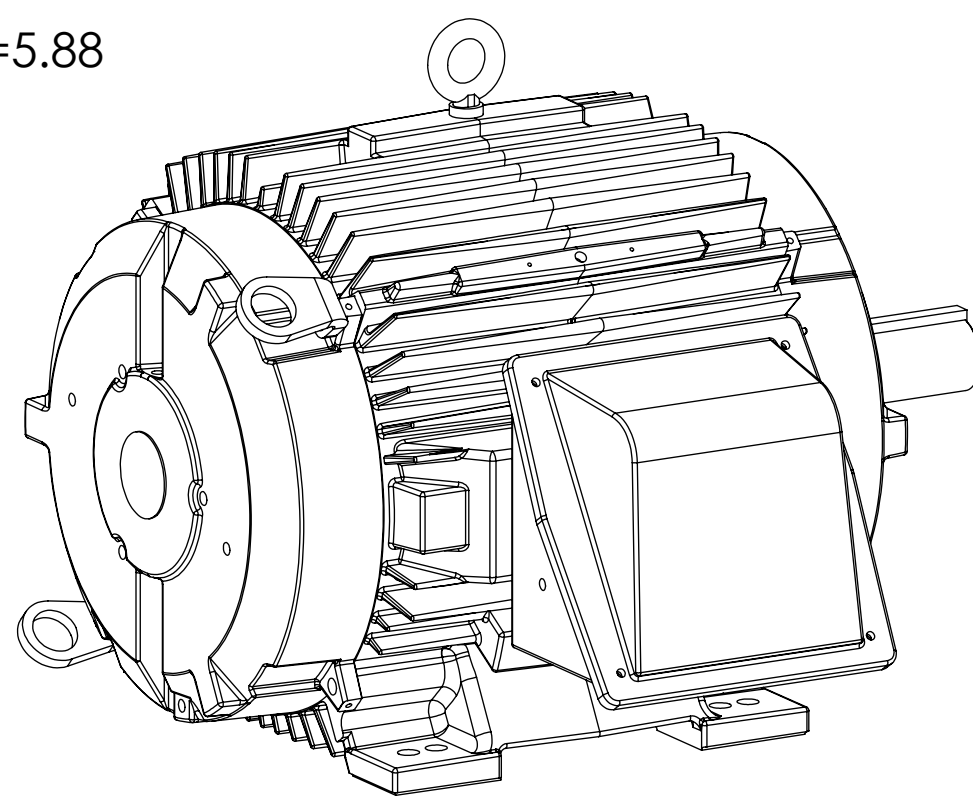
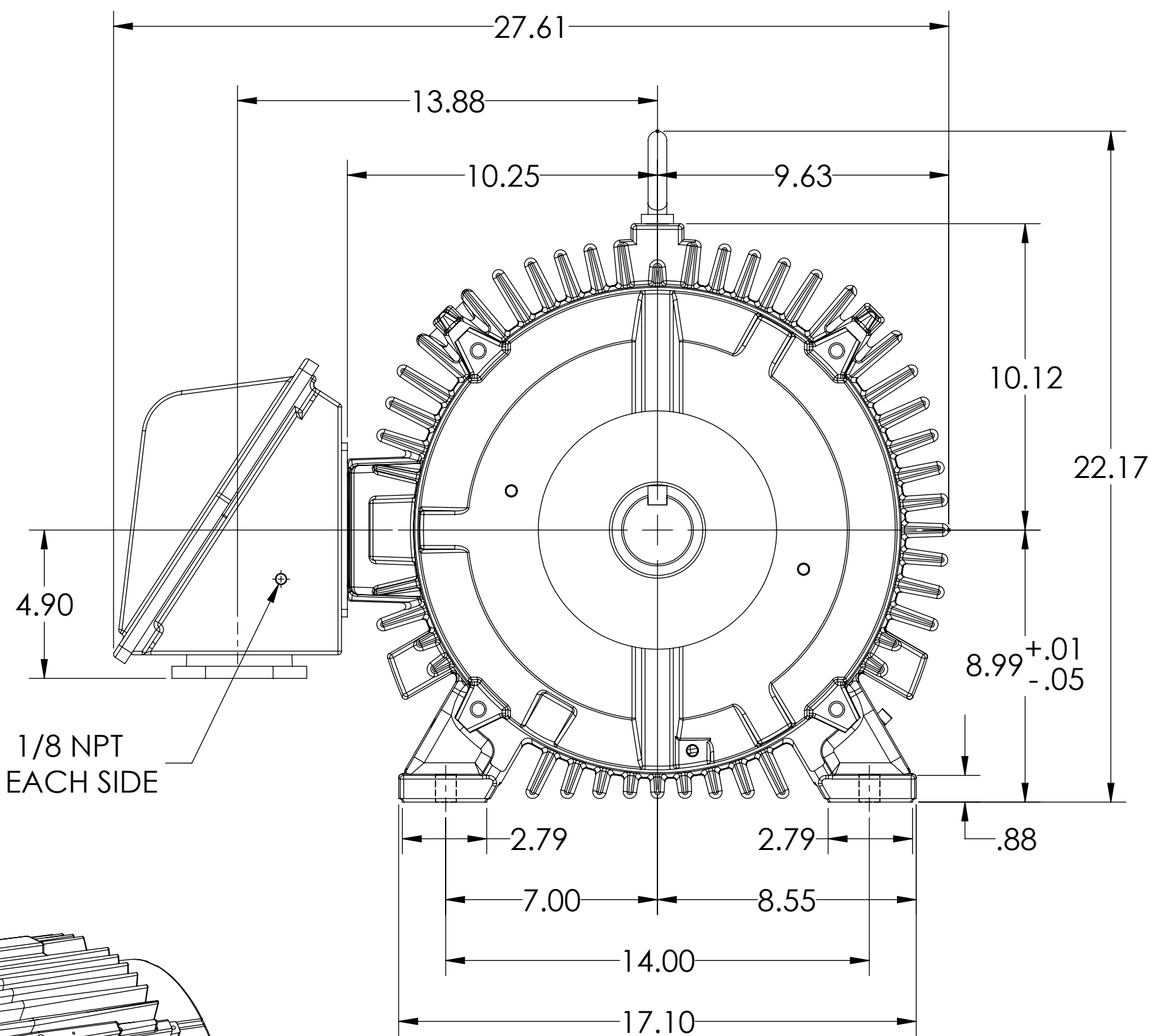
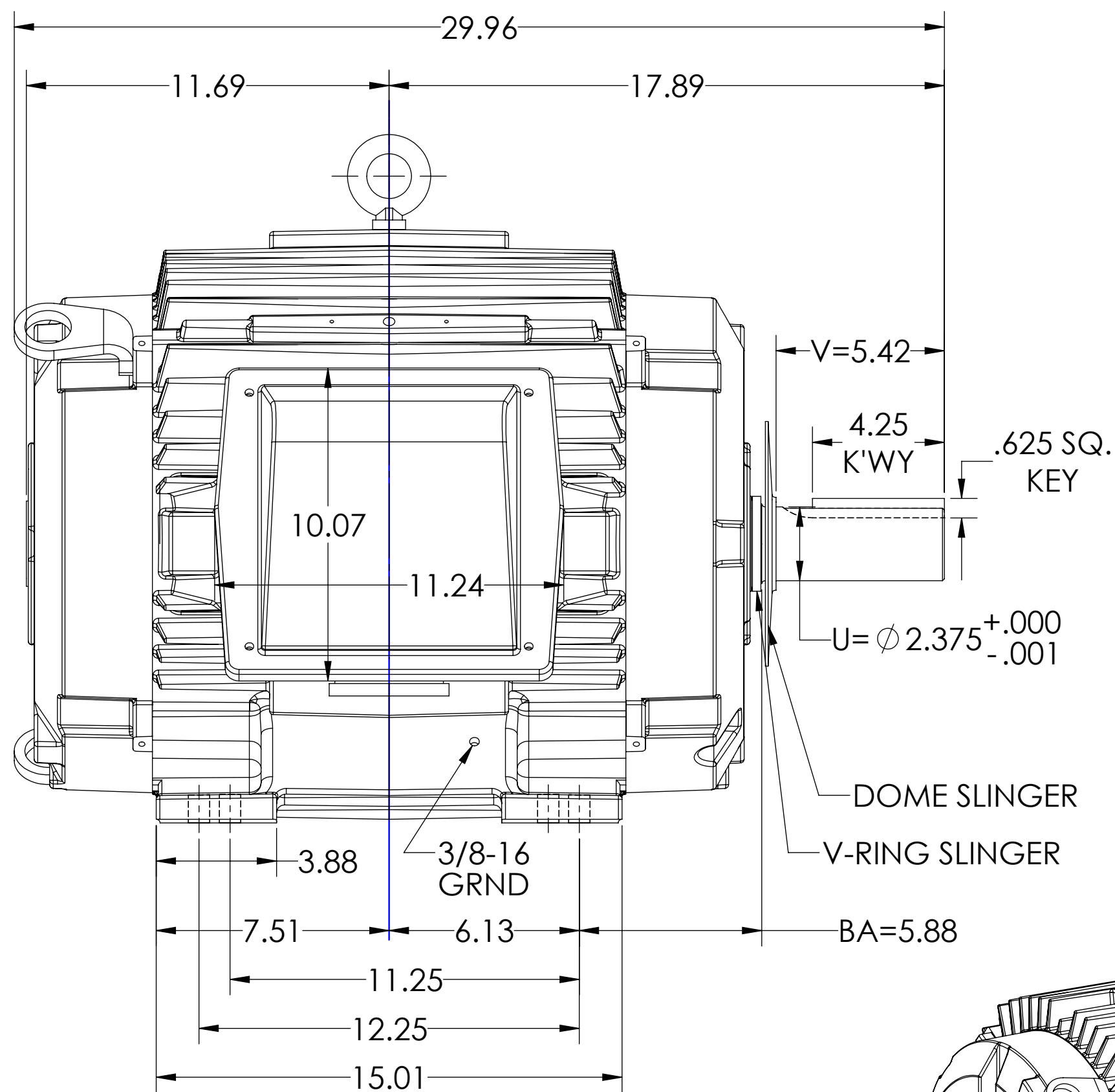
## SQUIRREL-CAGE INDUCTION

FRAME 365T

ENCLOSURE: TOTALLY ENCLOSED  
MOUNTING: FOOT, F-1 SIDE

INCLUDES 364T FRAME MOUNTING HOLES

COOLING: NON-VENTILATION



IF MOUNTING CLEARANCE DETAILS ARE REQUIRED, CONSULT FACTORY.  
MAXIMUM PERMISSIBLE SHAFT RUNOUT WHEN MEASURED AT END OF  
STANDARD SHAFT EXTENSION IS .003" T.I.R.

DIMENSIONS ARE IN INCHES

CUSTOMER IS RESPONSIBLE FOR DETERMINING THAT MOTOR PERFORMANCE IS SUITABLE IN THE APPLICATION.

REV. DESC: ADDED CBOX REDUCER 3-2.5" NPT	REVISED: 03:04:29 03/17/2016	TDR: 000000971426
REV: A	VERSION: 01	
MODEL NO. 617431-836		
BY: RAGBXN		

### BALDOR

E365T TENV FT-F1-SLGR, SPCL DRAIN, VERT LIFTING