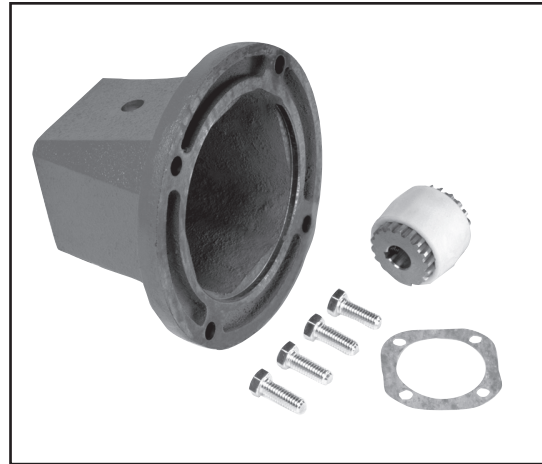


N.E.M.A. Frame Adapter Kit

Kit Part No.	Frame Size
133MAK56	56C
154MAK56	56C
154MAK140	143/145TC
175MAK56	56C
175MAK140	143/145TC
206MAK56	56C
206MAK140	143/145TC
237MAK56	56C
237MAK140	143/145TC
237MAK180	182/184TC
262MAK56	56C
262MAK140	143/145TC
262MAK180	182/184TC
300MAK56	56C
300MAK140	143/145TC
300MAK180	182/184TC
325MAK56	56C
325MAK140	143/145TC
325MAK180	182/184TC
325MAK210	213/215TC
375MAK56	56C
375MAK140	143/145TC
375MAK180	182/184TC
375MAK210	213/215TC
450MAK140	143/145TC
450MAK180	182/184TC
450MAK210	213/215TC
516MAK180	182/184TC
516MAK210	213/215TC
600MAK180	182/184TC
600MAK210	213/315TC
600MAK250	254/256TC



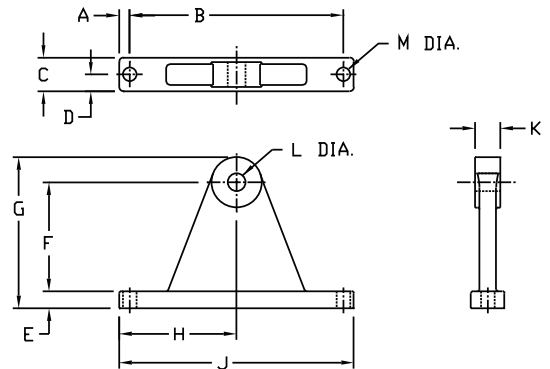
Raider Plus

Dimensions (Inches) for Torque Arm Kit (133 - 325)

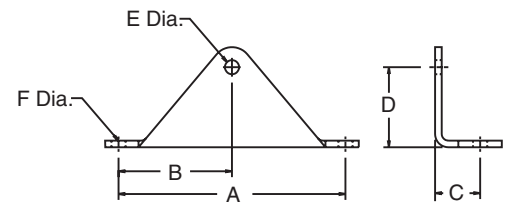
Part No.	A	B	C	D	E	F	G	H	J	K	L	M
133H-TAK	0.63	3.25	1.50	0.67	0.19	1.06	2.00	2.00	4.00	0.19	0.53	0.38
154H-TAK	0.50	4.19	0.75	0.38	0.68	1.82	3.25	2.59	5.19	0.75	0.53	0.343
175H-TAK	0.50	4.19	0.75	0.38	0.68	1.82	3.25	2.59	5.19	0.75	0.53	0.343
206H-TAK	0.38	5.00	0.75	0.38	0.44	2.71	3.90	2.88	5.76	0.94	0.53	0.406
237H-TAK	0.50	5.00	1.00	0.50	0.50	2.75	4.00	3.00	6.00	0.75	0.53	0.406
262H-TAK	0.50	6.37	1.00	0.50	0.50	3.25	4.50	3.68	7.37	0.94	0.53	0.406
300H-TAK	0.56	7.00	1.25	0.63	0.62	4.38	5.88	4.06	8.12	0.94	0.53	0.468
325H-TAK	0.62	7.50	1.25	0.63	0.62	4.38	5.88	4.38	8.75	0.94	0.53	0.468

Dimensions (Inches) for Torque Arm Kit (375 - 600)

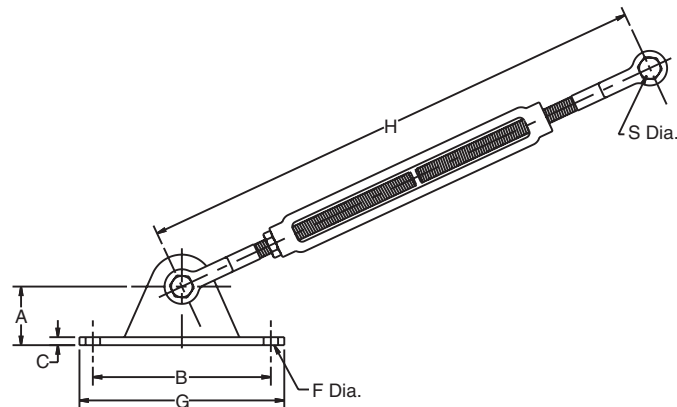
Part No.	A	B	C	D	E	F
375H-TAK	8.50	4.25	1.68	3.00	0.53	0.531
450H-TAK	9.56	4.78	1.94	3.50	0.81	0.656
516H-TAK	11.00	5.50	1.75	4.00	0.81	0.687
600H-TAK	12.75	6.38	1.75	4.63	0.81	0.687



133-325 Torque Arm Kit



375-600 Torque Arm Kit



Dimensions (Inches) for Adjustable Torque Arm Kit

Part No.	B	C	F	G	H	S
133-375ATAK	2.50	0.18	0.375	3.50	19-25	0.53
450-600ATAK	3.00	0.18	0.438	4.25	27-33	0.81