

# PRODUCT INFORMATION PACKET

Model No: 286TTGN16546  
Catalog No: E564-P  
30,1800,EPFC,286T,3/60/230/460  
Explosion Proof



Regal and Marathon are trademarks of Regal Beloit Corporation or one of its affiliated companies.  
©2018 Regal Beloit Corporation, All Rights Reserved. MC017097E





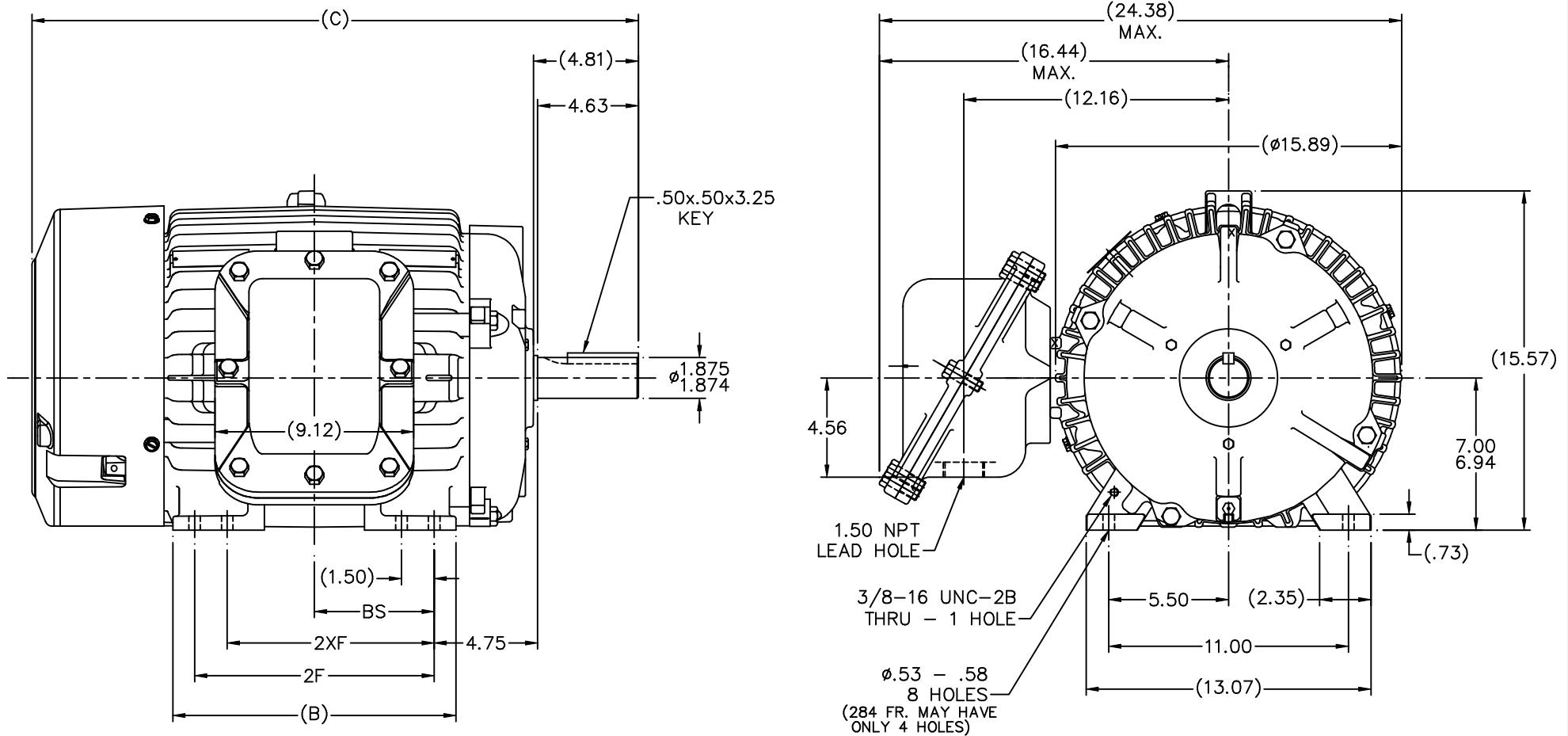
### Nameplate Specifications

Output HP	<b>30 Hp</b>	Output KW	<b>22.4 kW</b>
Frequency	<b>60 Hz</b>	Voltage	<b>230/460 V</b>
Current	<b>73/36.5 A</b>	Speed	<b>1773 rpm</b>
Service Factor	<b>1.15</b>	Phase	<b>3</b>
Efficiency	<b>94.1 %</b>	Duty	<b>CONTINUOUS</b>
Insulation Class	<b>F</b>	Design Code	<b>B</b>
KVA Code	<b>G</b>	Frame	<b>286T</b>
Enclosure	<b>EPFC</b>	Overload Protector	<b>NOT</b>
Ambient Temperature	<b>40 °C</b>	Drive End Bearing Size	<b>6311</b>
Opp Drive End Bearing Size	<b>6210</b>	UL	<b>No</b>
CSA	<b>N</b>	CE	<b>N</b>
IP Code	<b>54</b>		

### Technical Specifications

Electrical Type	<b>SQ CAGE INV RATED</b>	Starting Method	<b>LINE OR INVERTER</b>
Poles	<b>4</b>	Rotation	<b>REV</b>
Mounting	<b>RIGID</b>	Motor Orientation	<b>HORIZONTAL</b>
Drive End Bearing	<b>BALL</b>	Opp Drive End Bearing	<b>BALL</b>
Frame Material	<b>CAST IRON</b>	Shaft Type	<b>T</b>
Overall Length	<b>27.84 in</b>	Frame Length	<b>14.25 in</b>
Shaft Diameter	<b>1.88 in</b>	Shaft Extension	<b>4.81 in</b>
Assembly/Box Mounting	<b>F1 ONLY</b>		
Outline Drawing	<b>B-SS311003-1425</b>	Connection Diagram	<b>A-EE7308T</b>

This is an uncontrolled document once printed or downloaded and is subject to change without notice. Date Created: 04/05/2018



- NOTES:  
 1. BOX CAN ONLY BE ROTATED CLOCKWISE UP TO 270° FROM ITS ORIGINAL POSITION.  
 2. NAMEPLATE TO BE READ FROM CONDUIT BOX SIDE OF MOTOR.

DASH	FRAME	B	C	2F	2XF	BS
1275	284T	12.50	26.34	9.50	4.75	
1425	284/6T	13.00	27.84	11.00	9.50	5.50

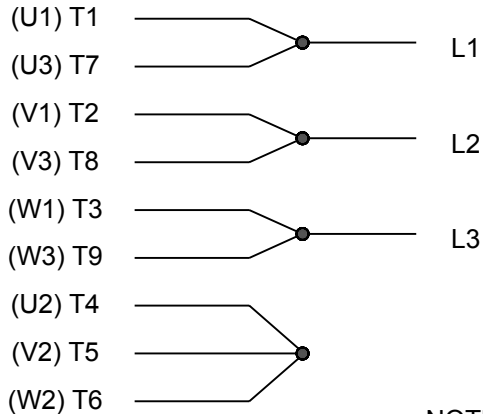
5	UPDATED DRAWING	RJW 04-30-2007	TOLERANCES UNLESS SPECIFIED		DRAWN DA 03-12-1999
4	ADDED 284 FRAME TO DASH 1425 MU28939	MJD 02-15-2000	DEC. INCHES		CHK ML 04-15-1999
3	UPDATED C'BOX GEOMETRY PER CASTING		.X ±.1		APPD SW 04-15-1999
	CHANGE CN29010	DRS 01-31-2000	.XX ±.03	TITLE OUTLINE - EXP. PR. - TGN	SCALE 1=4.5
2	REV'D. 'C' DIM. FOR C.I. FAN GUARD		.XXX ±.005	280T FR. - BB - STD - 12.50 LAM.	REF
	REV'D. CONDUIT BOX CN27400-239	DA 07-12-1999	.XXXX ±.0005	MATL	FMF
NO.	REVISION	BY & DATE	CHK ANG ±7'30"	FINISH	PREV
THIS DRAWING IN DESIGN AND DETAIL IS OUR PROPERTY AND MUST NOT BE USED EXCEPT IN CONNECTION WITH OUR WORK ALL RIGHTS OF DESIGN AND INVENTION ARE RESERVED THIS IS AN ELECTRONICALLY GENERATED DOCUMENT - DO NOT SCALE THIS PRINT				RFP	CAD FILE SS311003
				DIST LB-BR	SIZE B
					DRAWING NO. SS311003
					PAGE OF 5

## HIGH VOLTAGE

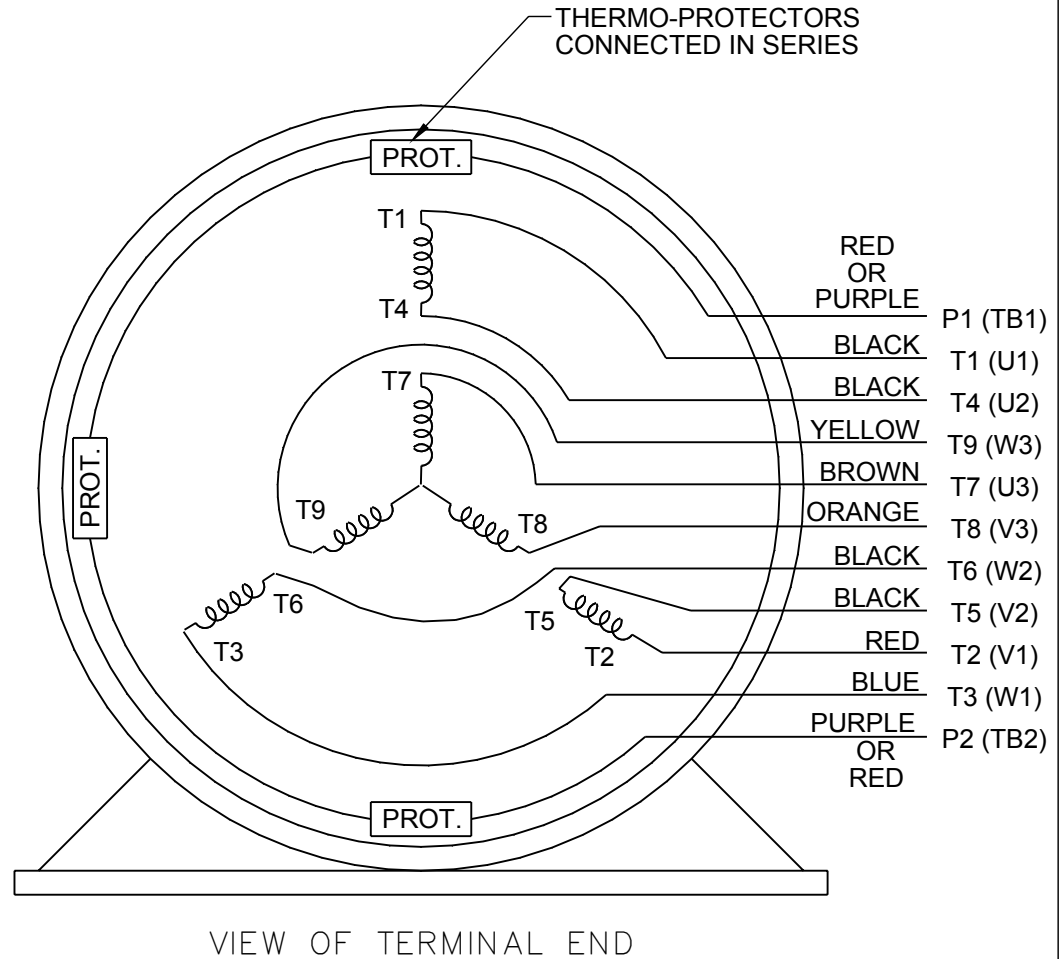


**NOTE FOR FACTORY USE ONLY:  
TO SURGE TEST FOR COMMON CONNECT:**  
HIGH VOLT: CONNECT P1 TO T1  
THEN P2 TO L1  
LOW VOLT: CONNECT P1 TO T1 & T7,  
THEN P2 TO L1

## LOW VOLTAGE



## THREE PHASE DUAL VOLTAGE MOTOR



**NOTE: LEAD'S COLOR CAN BE YELLOW OR WHITE FOR MT2 PLANT**

DRAWING REVISION <b>R</b>	REVISION BY <b>AJW</b>	DATE <b>07-17-2015</b>		DRAWN BY <b>SMC</b>	<b>Regal Beloit America, Inc.</b>
ECO <b>ECO-0081632</b>	APPROVED BY <b>T. VUE</b>	DATE <b>07-17-2015</b>		DATE <b>05-13-1992</b>	
ECO DESCRIPTION <b>REV'D IEC NOTATIONS PER IEC 60034-8</b>				APPROVED BY <b>TB</b>	DESCRIPTION <b>CONN DIAGRAM-INTERNAL</b>
<small>COPYRIGHT REGAL BELOIT AMERICA, INC. ALL RIGHTS RESERVED. PROPRIETARY AND CONFIDENTIAL INFORMATION - THIS DOCUMENT IS THE PROPERTY OF REGAL BELOIT AMERICA, INC. ("OWNER") AND CONTAINS OWNER'S PROPRIETARY INFORMATION. ANY PERSON, CORPORATION OR OTHER FIRM RECEIVING IT IS DEEMED, BY RECEIVING IT, TO AGREE THAT IT, AND/OR ANY PART OF IT, SHALL NOT BE DISCLOSED TO ANY PERSON, CORPORATION OR OTHER ENTITY, DUPLICATED, AND/OR USED, EXCEPT AS EXPRESSLY APPROVED IN WRITING IN ADVANCE BY OWNER. THIS DOCUMENT SHALL BE RETURNED TO OWNER UPON REQUEST. IT MAY BE SUBJECT TO CERTAIN RESTRICTIONS UNDER APPLICABLE EXPORT CONTROL LAWS AND REGULATIONS.</small>				DATE <b>05-13-1992</b>	<b>3 PHASE - DUAL VOLTAGE MOTOR</b>
			REFERENCE <b>EE7308/EE7300</b>	MATERIAL	PROCESS/FINISH
			THIRD ANGLE PROJECTION	SIZE <b>A</b>	DRAWING NUMBER <b>EE7308T</b>

**CERTIFICATION DATA SHEET**

**Model#:** 286TTGN16546 AA      **WINDING#:** K2864159 NONE 6  
**CONN. DIAGRAM:** A-EE7308T      **ASSEMBLY:** F1 ONLY  
**OUTLINE:** B-SS311003-1425

**TYPICAL MOTOR PERFORMANCE DATA**

HP	KW	SYNC. RPM	F.L. RPM	FRAME	ENCLOSURE	KVA CODE	DESIGN
30&25	22.4&18.7	1800	1773&1475	286T	EPFC	G	B

PH	Hz	VOLTS	FL AMPS	START TYPE	DUTY	INSL	S.F	AMB°C	ELEVATION
3	60/50	230/460#190/ 380	73/36.5&74/37	LINE OR INVERTER	CONTINUOU S	F3	1.15/1.15	40	3300

FULL LOAD EFF: 94.1&93.6	3/4 LOAD EFF: 94.1	1/2 LOAD EFF: 93.6	GTD. EFF	ELEC. TYPE	NO LOAD AMPS
FULL LOAD PF: 82&81.5	3/4 LOAD PF: 77	1/2 LOAD PF: 67.5	93.6	SQ CAGE INV RATED	30 / 15

F.L. TORQUE	LOCKED ROTOR AMPS	L.R. TORQUE	B.D. TORQUE	F.L. RISE°C
89 LB-FT	434 / 217	165 LB-FT 185	245 LB-FT 275	60

SOUND PRESSURE @ 3 FT.	SOUND POWER	ROTOR WK^2	MAX. WK^2	SAFE STALL TIME	STARTS /HOUR	APPROX. MOTOR WGT
65 dBA	75 dBA	4.6 LB-FT^2	225 LB-FT^2	25 SEC.	2	540 LBS.

**\*\*\* SUPPLEMENTAL INFORMATION \*\*\***

DE BRACKET TYPE	ODE BRACKET TYPE	MOUNT TYPE	ORIENTATION	SEVERE DUTY	HAZARDOUS LOCATION	DRIP COVER	SCREENS	PAINT
STANDARD	STANDARD	RIGID	HORIZONTAL	PREMIUM SEVERE DUTY	EXP PROOF CL I GR C&D CL II GR F&G T3B	FALSE	NONE	BLUE (EPOXY)

BEARINGS		GREASE	SHAFT TYPE	SPECIAL DE	SPECIAL ODE	SHAFT MATERIAL	FRAME MATERIAL
DE	OPE						
BALL	BALL	POLYREX EM	T	NONE	NONE	1045 HOT ROLLED (C-204)	CAST IRON
6311	6210						

THERMO-PROTECTORS				THERMISTORS	CONTROL	SPACE /n HEATERS
THERMOSTATS	PROTECTORS	WDG RTDs	BRG RTDs			
TSTATS (N/C)	NOT	NONE	NONE	NONE	FALSE	NONE VOLTS

If Inverter equals NONE, contact factory for further information

INVERTER TORQUE: CONSTANT 10:1
INV. HP SPEED RANGE: 1.5 X BASE SPEED
ENCODER: NONE
NONE NONE
NONE NONE PPR
BRAKE: NONE NONE
NONE P/N NONE
NONE NONE
NONE FT-LB NONE V NONE Hz

\*  
N  
O  
T  
E  
S  
\*

\*\* Subject to change without notice.