

PRODUCT INFORMATION PACKET

Model No: 5KC49GN0022X
Catalog No: C1153
1/2,1800,DP,56,1/60/115/208-230
Open Drip Proof (ODP)



Regal and Marathon are trademarks of Regal Beloit Corporation or one of its affiliated companies.
©2018 Regal Beloit Corporation, All Rights Reserved. MC017097E





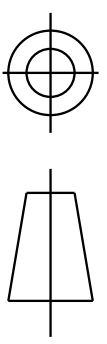
Nameplate Specifications

| | | | |
|------------------------|----------------------|----------------------------|----------------------|
| Output HP | 0.5 Hp | Output KW | 0.37 kW |
| Frequency | 60 Hz | Voltage | 115/208-230 V |
| Current | 8.6,4.1-4.3 A | Speed | 1725 rpm |
| Service Factor | 1.25 | Phase | 1 |
| Efficiency | 52.5 % | Duty | CONT |
| Insulation Class | B | KVA Code | K |
| Frame | 56 | Enclosure | DP |
| Overload Protector | AUTO | Ambient Temperature | 40 °C |
| Drive End Bearing Size | 6203 | Opp Drive End Bearing Size | 6203 |
| UL | Recognized | CSA | Yes |
| CE | N | | |

Technical Specifications

| | | | |
|-------------------|------------------------------|-----------------------|--------------------|
| Electrical Type | Capacitor start(CSIR) | Starting Method | SM |
| Poles | 4 | Rotation | CCW/CW |
| Mounting | RB | Motor Orientation | ANY |
| Drive End Bearing | BALL | Opp Drive End Bearing | BALL |
| Frame Material | Rolled Steel | Overall Length | 10.38 in |
| Frame Length | 6.15 in | Shaft Diameter | 0.63 in |
| Shaft Extension | 1.88 in | | |
| Outline Drawing | 52A107737P7 | Connection Diagram | 52A105383AA |

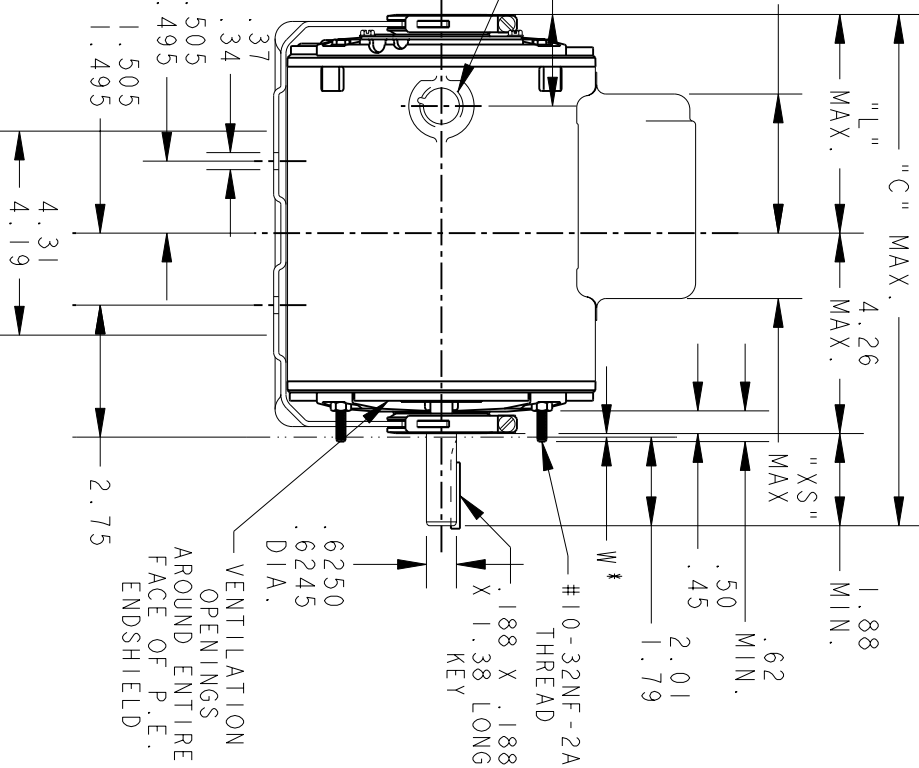
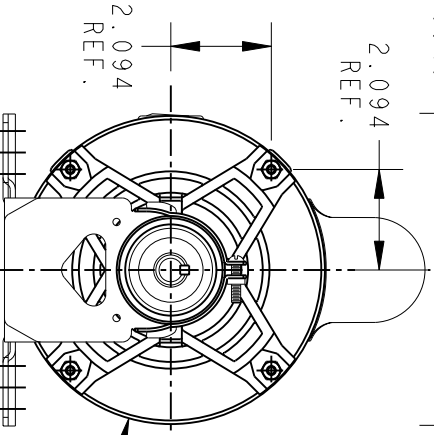
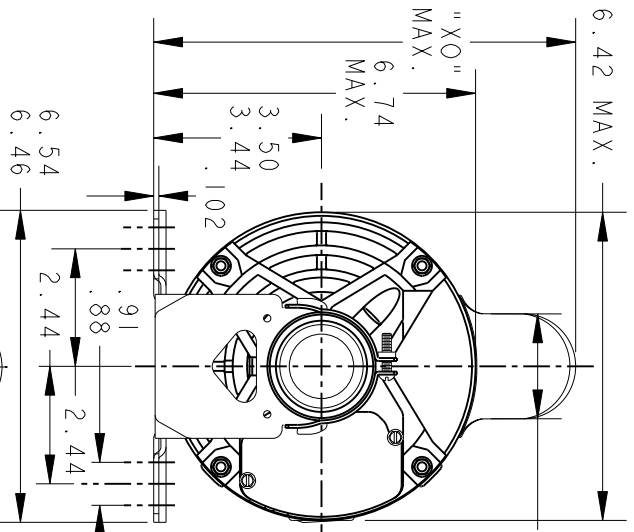
This is an uncontrolled document once printed or downloaded and is subject to change without notice. Date Created: 04/05/2018



| REV. | DESCRIPTION | DATE | APPROVED |
|------|----------------------------------|----------|-----------|
| 7 | UPDATED PT# 10 PER ISAAC 06-0996 | 05/17/06 | PRAVEEN.K |

52A107737 7

SIZE A DRAWING NO.



ALL DIMENSIONS ARE IN INCHES

| 10 | 9 | 8 | 7 | 6 | 5 | 4 | 3 | 2 | 1 | P | |
|-------|-------|-------|-------|-------|-------|------|-------|------|-------|----------|------------|
| KC | KC | KC | KC | KC | KC | KC | KC | KC | KC | TYPE | |
| 49 | 48 | 46 | 49 | 49 | 46 | 42 | 49 | 42 | 46 | GE SIZE | |
| 10.38 | 12.66 | 10.78 | 10.38 | 11.38 | 10.78 | 9.95 | 11.38 | 9.95 | 10.78 | NEMA FR. | |
| 4.22 | 6.50 | 4.62 | 4.22 | 5.22 | 4.62 | 3.79 | 5.22 | 3.79 | 4.62 | "C" | |
| 2.72 | 3.40 | 2.44 | 2.63 | 3.63 | 3.03 | 2.20 | 3.63 | 2.20 | 3.03 | "L" | |
| 8.84 | 8.22 | 8.84 | 8.22 | 8.22 | 8.22 | 8.22 | 8.94 | 8.84 | 8.84 | "XH" | |
| 2.22 | 1.60 | 2.22 | 1.60 | 1.60 | 1.60 | 1.60 | 2.40 | 2.22 | 2.22 | "XO" | |
| 2.72 | 2.29 | 2.10 | 1.91 | 2.12 | 1.51 | 2.34 | 2.12 | 2.34 | 1.51 | "XR" | |
| | | | | | | | | | | | "XS" |
| | | | | | | | | | | | MIN. SHELL |

| SIGNATURES | | DATE |
|-------------------------------|------------------------|------------|
| MODEL | M.D. PAPER | 10/10/91 |
| DETAIL | | |
| CHECKED | | |
| ENGRG | | |
| FOR ADDITIONAL INFO REFER TO: | | |
| APPLIED PRACTICES | QUALITY | |
| DIMENSIONS ARE IN INCHES | ISSUED | M.D. PAPER |
| | | 05/17/99 |
| MATERIAL | SOLID MODEL: 52A107737 | |



REGAL-BELOTT CORPORATION

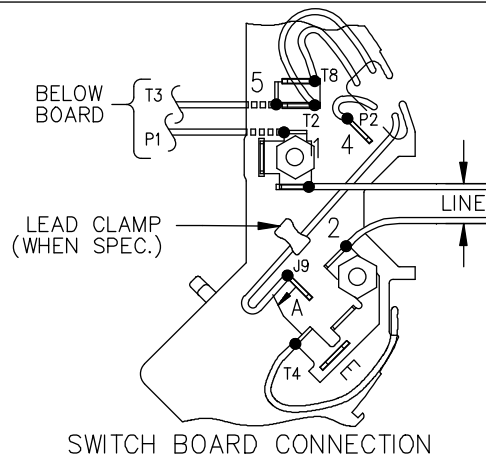
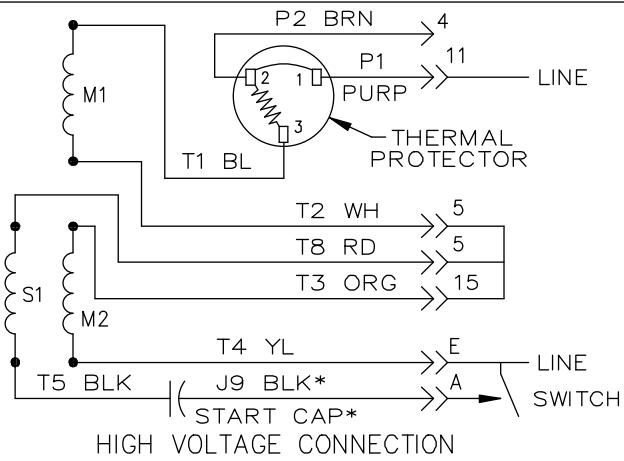
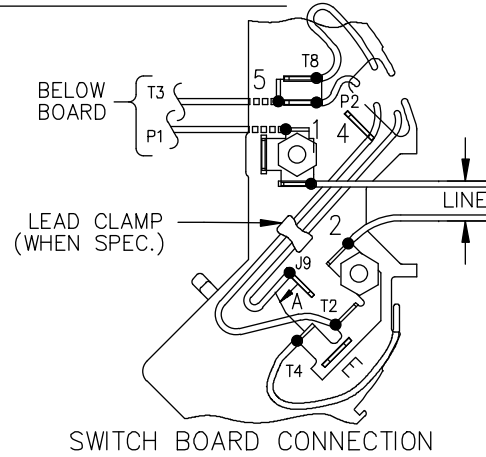
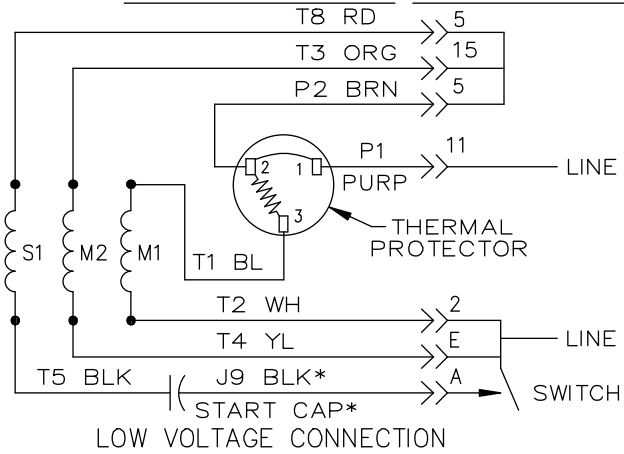
TITLE OUTLINE

GENERAL PURPOSE MOTOR DRIP PROOF - BALL BEARING
RESILIENT BASE EXTENDED CLAMP SCREWS FWF - 40 FRAME REDESIGN (SKC426N0022X)

SIZE DRAWING A
SCALE: 0.250 REF. No.:
52A107737
REV 7

SHEET 1 of 1

EITHER ROTATION, DUAL VOLTAGE, TYPE KC OR KH, WITH THERMAL PROTECTION



NOTE #1 - START CAP & J9 WHEN SPECIFIED (*). IF NO CAPACITOR (KH), CONNECT T5 DIRECTLY TO SWITCH (A). WHEN MORE THAN ONE CAPACITOR IS USED, CONNECT IN PARALLEL.

NOTE #2 - TO REVERSE ROTATION, INTER CHANGE RD(T8) AND BLK(J9-KC OR T5-KH) LEADS.

| | | |
|-------------------------|------------------|-----------------------------|
| SWITCH REF. - 115D958AB | CONNECTION LABEL | CCW ROTATION: NP52X332051AA |
| | | CW ROTATION: NP52X332051AC |

| NO. | REVISION | BY & DATE | CHK | TOLERANCES UNLESS SPECIFIED | | FINISH | DRAWN M.D.P 06/29/87 | | |
|--|--|-------------|-----|-----------------------------|----------|---|----------------------|-------------------------|--------|
| | | | | DEC. | INCHES | | | DRAWING NO. | |
| | | | | .X | ±0.1 | REGAL-BELOIT CORPORATION TITLE CONNECTION DIAGRAM 30 FRAME SWITCH REDESIGN | CHK | | |
| | | | | .XX | ±0.02 | | APPD M.D.P 03/26/96 | | |
| 5 | ADDED CONNECTION LABEL PER ECO-0030779 | UD 02/06/13 | PKG | .XXX | ±0.005 | MAT'L. REF | SCALE 1=1 | | |
| 4 | UPDATED PER ISO7-0150 | MD 01/23/07 | | .XXXX | ±0.0005 | | FMF | | |
| | | | | ANG | ±1.0 | PREV | | | |
| THIS DRAWING IN DESIGN AND DETAIL IS OUR PROPERTY AND MUST NOT BE USED EXCEPT IN CONNECTION WITH OUR WORK. ALL RIGHTS OF DESIGN AND INVENTION ARE RESERVED. THIS IS AN ELECTRONICALLY GENERATED DOCUMENT - DO NOT SCALE THIS PRINT | | | | RFP | CAD FILE | 52A105383AA | SIZE A | DRAWING NO. 52A105383AA | REV. 5 |
| | | | | DIST | | | | | |