

3D PDF DATASHEET



eCATALOGsolutions



BIM catalogs.net



PARTsolutions



Create Your Individual 3D PDF Datasheet



Learn How to Create Your Mechanical Product Catalog



Learn How to Create Your BIM Product Catalog



Reduce Your Costs in Engineering and Purchasing



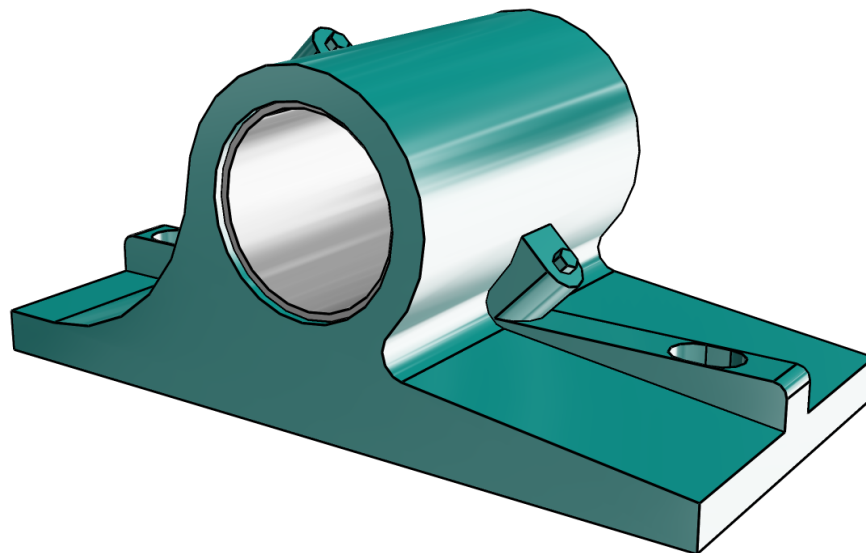
231075

Sleeve Bearings - Bronze - Bushed

BALDOR • DODGE

3D View

To activate the interactive 3D view, you must trust this document (see hint on the top) in Adobe Acrobat and click on the question mark.



Zoom

Moves you toward or away from objects in the scene when you drag vertically. You can also zoom with the hand tool by holding down Shift as you drag.

Pan

Moves the model vertically and horizontally only. You can also pan with the hand tool: Ctrl-drag.

Rotate

Turns 3D objects around relative to the screen. How the objects move depends on the starting view, where you start dragging and the direction in which you drag.

3D PDF DATASHEET



 eCATALOG solutions



 BIM catalogs.net




 PART solutions



Create Your Individual 3D PDF Datasheet 

Learn How to Create Your Mechanical Product Catalog 

Learn How to Create Your BIM Product Catalog 

Reduce Your Costs in Engineering and Purchasing 

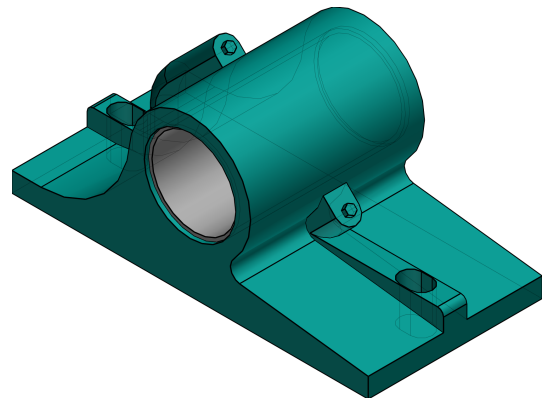
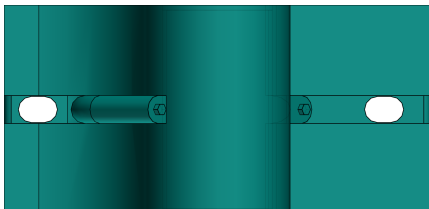
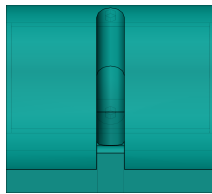
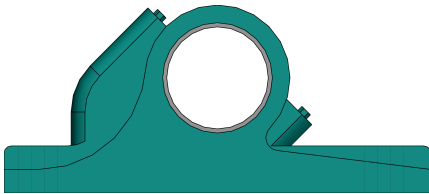
231075

Sleeve Bearings - Bronze - Bushed



2D Derivation

ISO View



3D PDF DATASHEET



 eCATALOG solutions




 BIM catalogs.net



 PART solutions



Create Your Individual 3D PDF Datasheet 

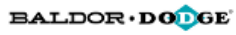
Learn How to Create Your Mechanical Product Catalog 

Learn How to Create Your BIM Product Catalog 

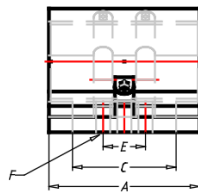
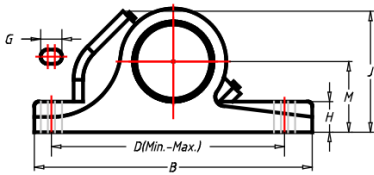
Reduce Your Costs in Engineering and Purchasing 

231075

Sleeve Bearings - Bronze - Bushed



Technical Drawings





 eCATALOG solutions



 BIM catalogs.net



 PARTsolutions



Create Your Individual 3D PDF Datasheet ▶

Learn How to Create Your Mechanical Product Catalog ▶

Learn How to Create Your BIM Product Catalog ▶

Reduce Your Costs in Engineering and Purchasing ▶

231075

Sleeve Bearings - Bronze - Bushed



Technical Data

SS (Shaft Size / INCH)	2-7/16
PN (Part Number)	231075
DESCRIPTION (Description)	P4B-BZA-207
WEIGHT (Weight / lbs)	20
UOF (Used On Frame)	HD-200
A (A / INCH)	5
B (B / INCH)	10-1/4
C (C / INCH)	4
DMIN (DMIN / INCH)	7-11/16
DMAX (DMAX / INCH)	8-5/16
E (E / INCH)	2
F (Bolt Diameter / INCH)	5/8
G (G / INCH)	1
H (H / INCH)	1-1/8
J (J / INCH)	5-9/16
M (M / INCH)	2-3/4
CBQ (Cap Bolts Quantity)	2
PT (Grease Cups - Pipe Tap / INCH)	3/8
NR (Grease Cups - No. Req'd / INCH)	1
GS (Grease Cups - Size / INCH)	2

3D PDF DATASHEET



 eCATALOG solutions




 BIM catalogs.net




 PART solutions



Create Your Individual 3D PDF Datasheet 

Learn How to Create Your Mechanical Product Catalog 

Learn How to Create Your BIM Product Catalog 

Reduce Your Costs in Engineering and Purchasing 

231075

Sleeve Bearings - Bronze - Bushed



Bill of Materials

	Name	Description	Amount
1	assembly	231075	1
1.1	p2b_bza_bodi	P4B-BZA-207	1
1.2	insert_bronzoil	11i	1