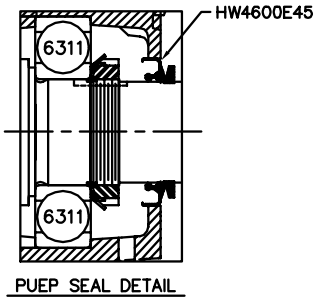
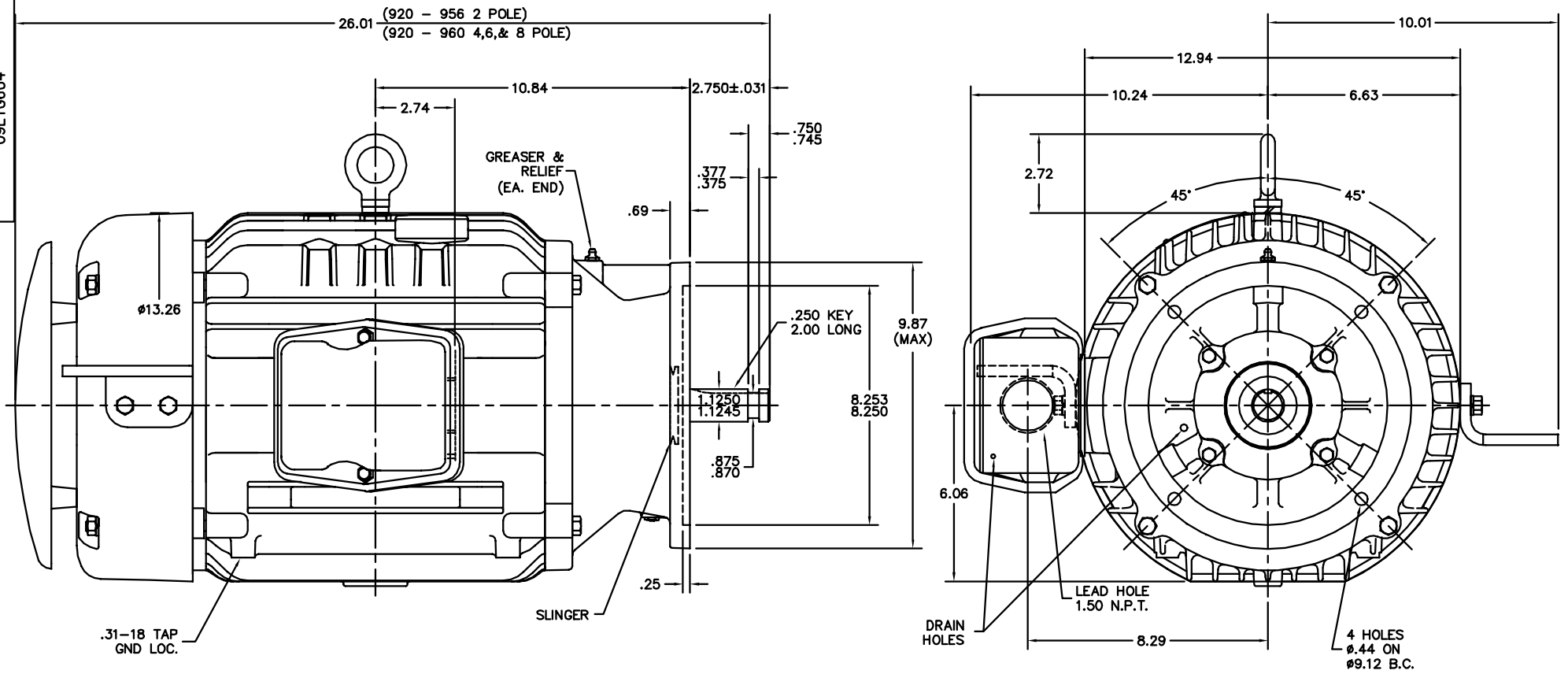


09LYG604



CUSTOMER IS RESPONSIBLE FOR DETERMINING THAT BALDOR'S PRODUCT WILL PERFORM SUITABLY IN THE INTENDED APPLICATION.

REV. DESC: UPDATE OVER ALL LENGTH & UPDATE FREP STUD PER BOM		
REV. LTR: H	VERSION: 08	TDR: 000001035441
FILE: \AAA\00123\188	REVISED: 08:38:52 07/12/2017	BY: USODDIL
MTL: -		

**BALDOR**

VERT TEFC 254-6HP ECP W/6311 PU BRG

SH 1 of 1

09LYG604