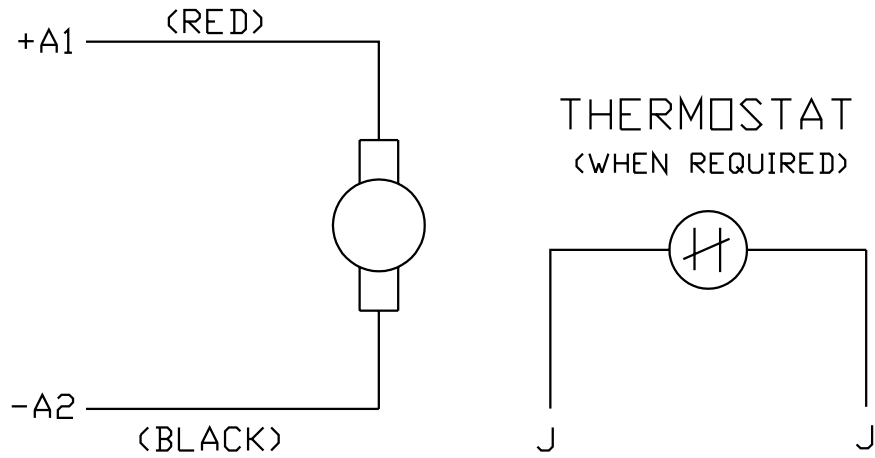
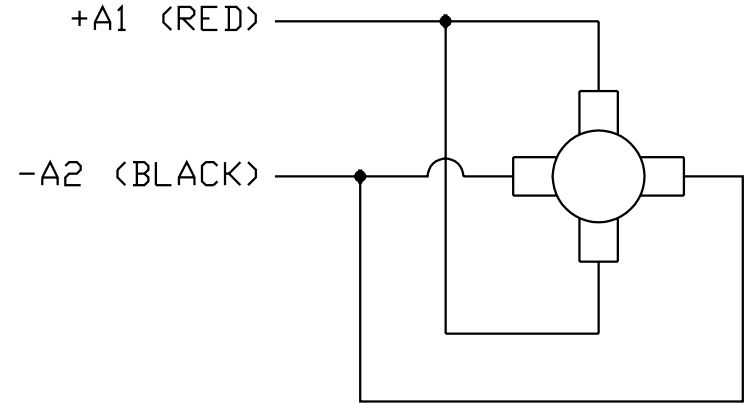


MOTOR



TACHOMETER



NOTES:

1. CCW ROTATION AS SHOWN FACING COMMUTATOR END. TO REVERSE MOTOR ROTATION OR TACHOMETER OUTPUT POLARITY INTERCHANGE LEADS A1(RED) & A2(BLACK)
2. LEAD COLORS FOR REFERENCE ONLY & NOT SPECIFIED BY THIS DRAWING. LEAD COLORS SPECIFIED BY LAYOUT DRAWING & BILL OF MATERIAL ONLY.

|             |  |              |                   |
|-------------|--|--------------|-------------------|
| MATERIAL: - |  |              |                   |
| REV: E      | ADDED NOTE "LEAD COLORS FOR REFERENCE ONLY &..." |              |                   |
| CD0194      | SCALE: -   | BY: CK       | REVISED: 07/28/95 |
|             | FILE: AAA00004503                                | TDR: 0078737 |                   |

**BALDOR ELECTRIC Co.**

CD TYPE P DC PERMANENT MAGNET MOTORS AND TACHOMETERS