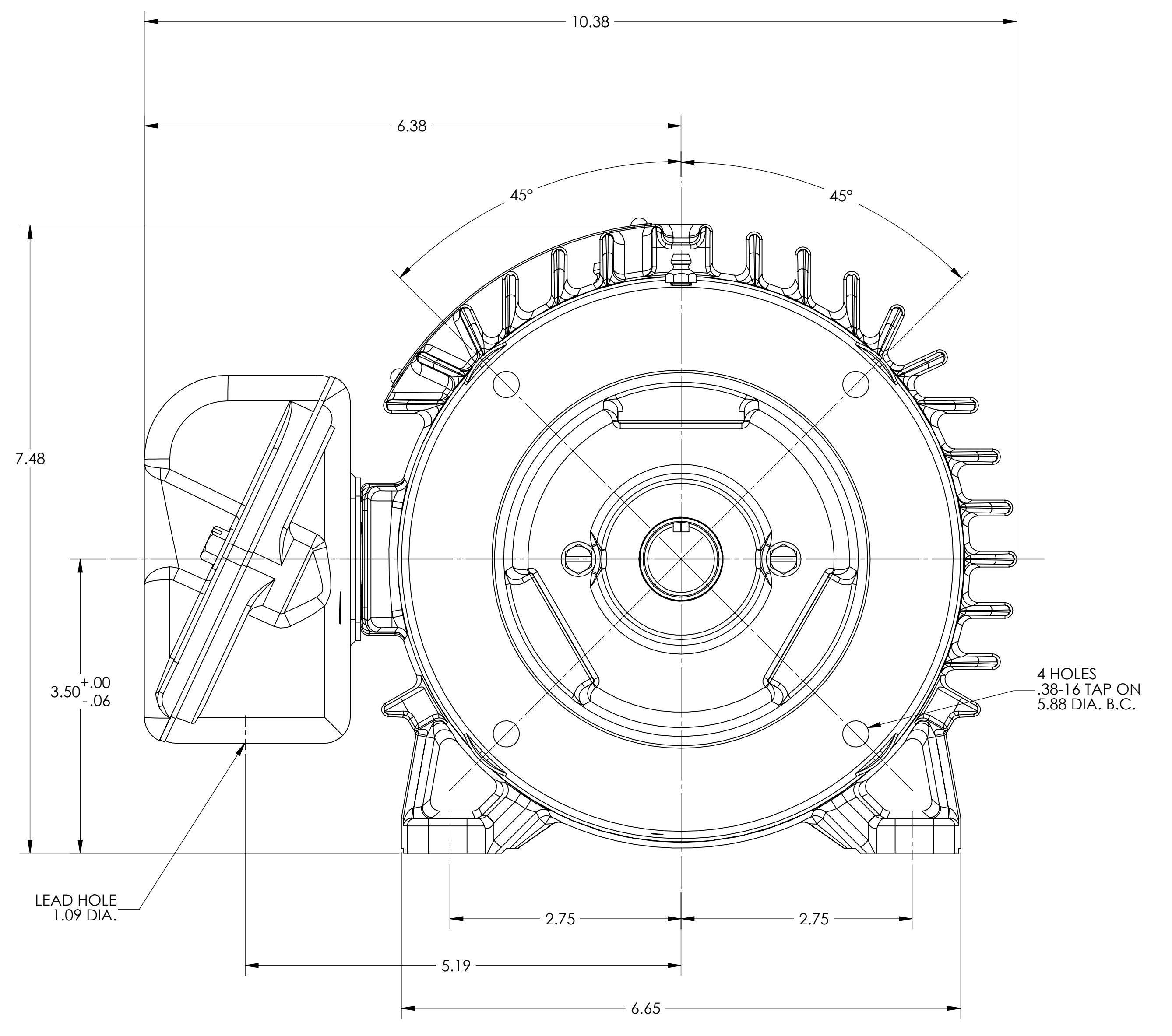
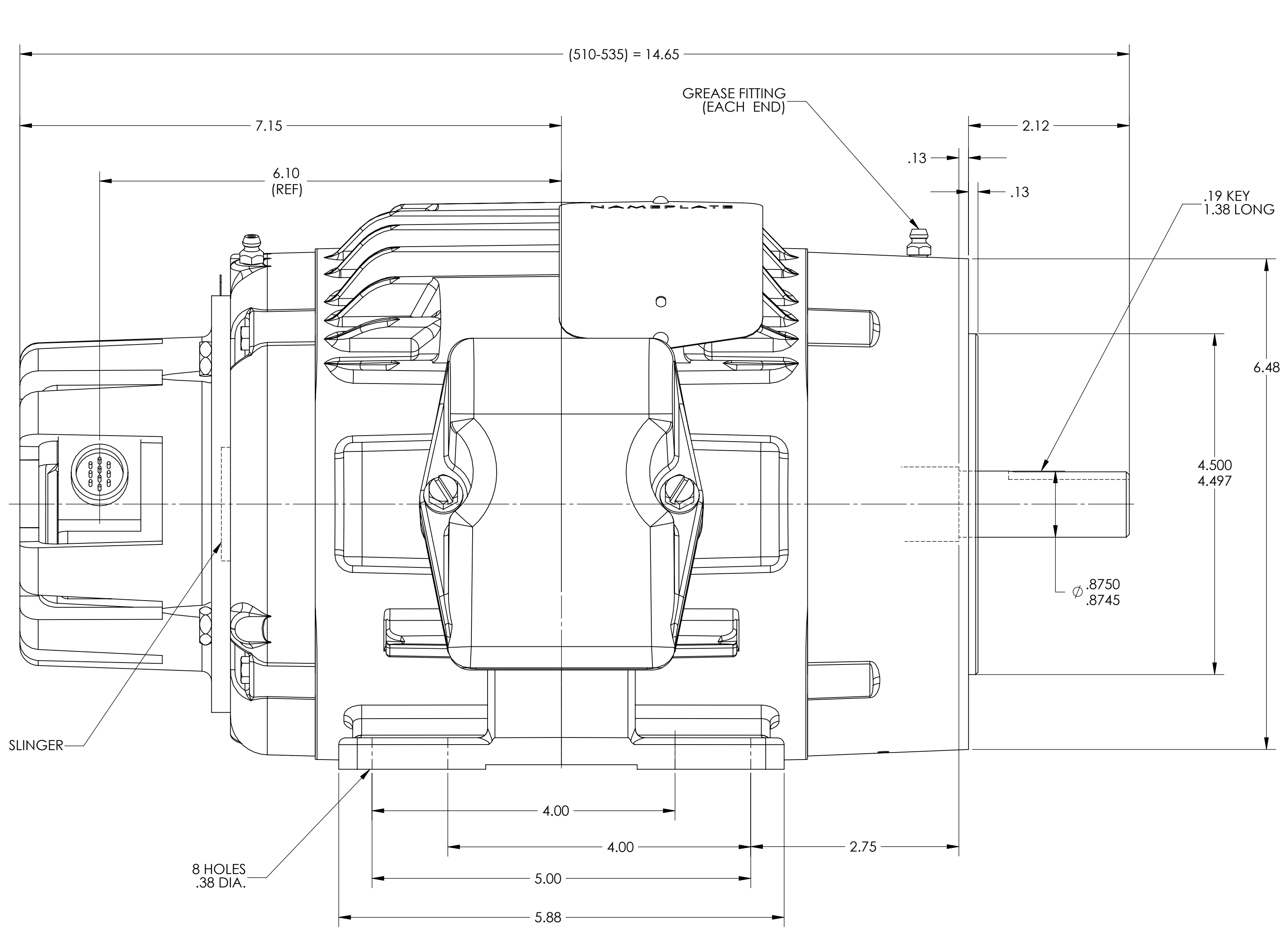


05LYE532



REV. DESC: LOAD TO SOLID WORKS	REVISED: 09-27-56 10/15/2008	TDR: 000000449590
REV: B	VERSION: 01	REF:
MODEL NO. 05LYE532		
BY: ENBRAMO		

BALDOR ELECTRIC Co.

STD HORZ 143-STC TENV VECTOR W/STD "BA" (THRU-SHAFT ENCODER)

05LYE532