

Chains & Sprockets	Wear Strips	Side Guide Brackets & Accessories	Levelers
Modular Belts & Sprockets	Chain & Belt Return Systems	Frame & Structure Supports	Bearings
Curves & Tracks	Side Guide Solutions	Miscellaneous Products	Related Information

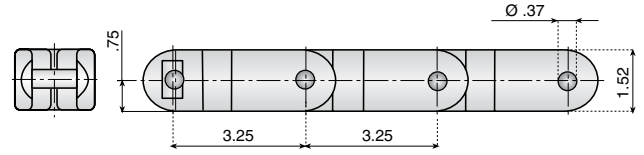
21250a

CC 1400 - CC 1400 TAB

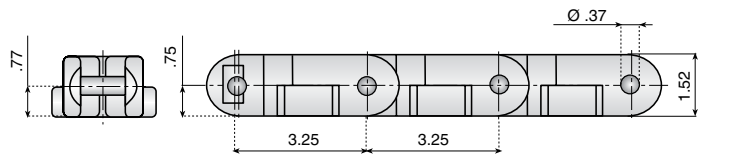
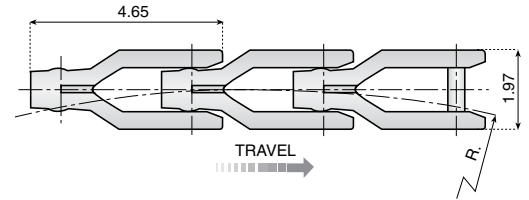
www.SystemPlastSmartGuide.com

Crate Conveyor Chains

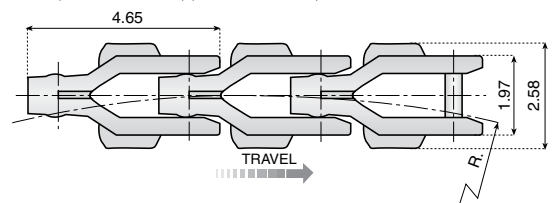
 Click here for related information.



CC 1400



CC 1400 TAB



Characteristics:

These chains transport plastic crates or can be used for general purpose conveying applications. They feature high strength, curving radius capability, uniform matte finish and very high wear resistance.

Pin Material: Austenitic stainless steel

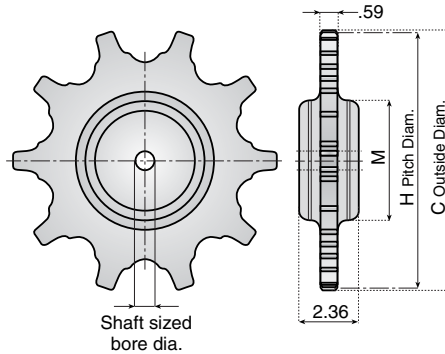
Item Description	Item Number	Material		Breaking Load (lbs.)	R min.	Weight Kg/m
		Link	Pin			
LFW1400	11096	White Acetal	Stainless Steel	4050	25.98	2.17
LFW1400TAB	11098					2.31

Standard length: 37 pitches (10 ft. - 3.053 m)

Breaking Load according to Standard ISO 4348 - DIN 8153

Plain Bore Sprockets

For Chains CC 1400 - CC 1400 TAB



 Click here for related information.

Material: Reinforced polyamide

Item Description	Item Number	Shaft Sized Bore Dia.	Number of Teeth	Outside Diameter C	Pitch Diameter H	M
1400V-7R20M-R	12331	.79*	7	8.27	7.48	2.95
1400V-8R20M-R	12332		8	9.06	8.58	3.54
1400V-9R20M-R	12333		9	10.12	9.53	4.92
1400V-10R20M-R	12334		10	11.06	10.51	4.92

*Plain bore pilot hole. Not sized to a shaft.