

Chains & sprockets	Wear strips	Side guide brackets & accessories	Levelers
Modular belts & sprockets	Chain & belt return systems	Frame & structure supports	Bearings
Curves & tracks	Side guide solutions	Miscellaneous products	Related information

1 1 2 4 0 a

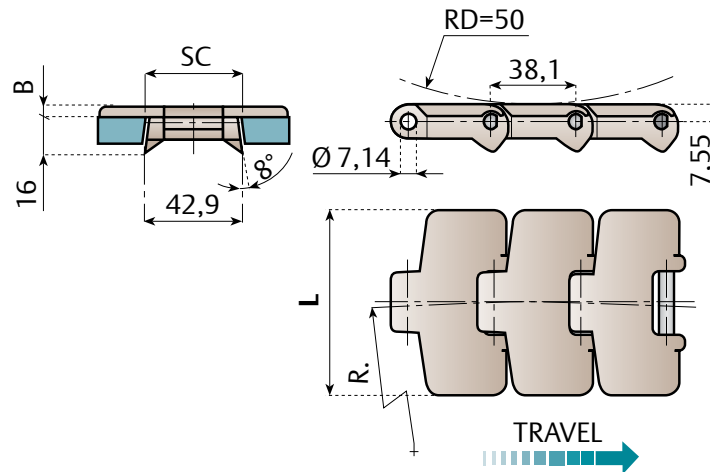
879 - 880

www.SystemPlastSmartGuide.com

Sideflexing chains



Click here for related information.



Note:

The 879 series has a thicker top plate (4,8 mm) giving much more wear life. It also simplifies conveyor design when matching chains from the series 821, 831, 8257 and 882.

Nolu®-S curves

are strongly recommended with these chains!

Pin material: Austenitic steel.

Also available in low bevel version (11 mm), go to: **1 1 2 4 0 b**

Item description	Material plate	Pin material	Breaking load N	Width L		B Thickness mm	R min.	SC		Weight Kg/m					
				mm	inch			Straight	Curving						
LF880-K325	LF Brown	SPM	6.000	82,5	3 ¼	4	500	44,5	41,3	0,89					
LF880-K350				88,9	3 ½						0,92				
LF880-K450				114,3	4 ½						1,04				
NG880-K325	NG Green		5.000	82,5	3 ¼						4,8	500	44,5	41,3	0,89
NG880-K350				88,9	3 ½										0,92
NG880-K450				114,3	4 ½										1,04
LF879-K325	LF Brown	SPM	6.000	82,5	3 ¼	4,8	500	44,5	41,3	0,93					
LF879-K450				114,3	4 ½					1,10					
NG879-K325	NG Green		5.000	82,5	3 ¼					4,8					500
NG879-K450				114,3	4 ½						1,10				

Standard length: 80 pitches (10 ft. - 3,048 m)

Breaking load according to standard ISO 4348 - DIN 8153



1 1 2 6 0 a