

Chains & sprockets	Wear strips	Side guide brackets & accessories	Levelers
Modular belts & sprockets	Chain & belt return systems	Frame & structure supports	Bearings
Curves & tracks	Side guide solutions	Miscellaneous products	Related information

11040b

Sprockets

www.SystemPlastSmartGuide.com

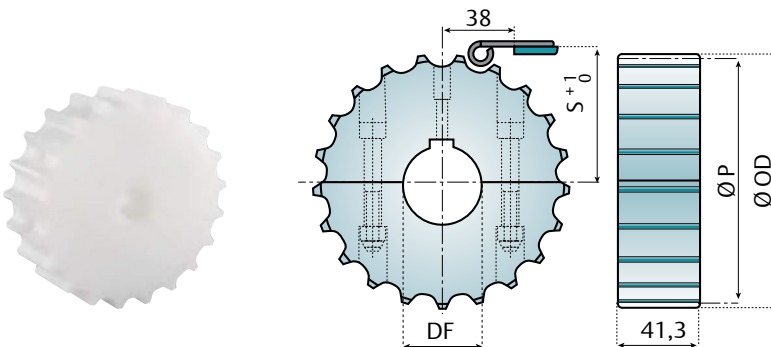
For chains: 812 - 815 - 815VG - 881M - 881MO - 881VG - 881TAB VG
815TAB VG - 8857TAB - 8157TAB - 8157TAB VG



Click here for related information.

Features:

- Completely closed structure, easier to clean and to disinfect.
- Split versions: quick and easy replacement.



Z	Ø OD mm	Ø P mm	S mm
17	103,9	105,47	55,9
19	117	117,34	61,9
21	129	129,26	67,8
23	142	141,21	73,8
25	154	153,21	79,8
27	166,8	165,20	85,8
29	178,5	177,24	91,8

Machined drive sprockets - Split Fixed

Z	Ø 18*	Ø 25	Ø 30	Ø 35	Ø 40	Ø 45
	Item description					
17	-	815-17R25M-DMS	815-17R30M-DMS	815-17R35M-DMS	815-17R40M-DMS	-
19	-	815-19R25M-DMS	815-19R30M-DMS	815-19R35M-DMS	815-19R40M-DMS	-
21	-	815-21R25M-DMS	815-21R30M-DMS	815-21R35M-DMS	815-21R40M-DMS	815-21R45M-DMS
23	-	815-23R25M-DMS	815-23R30M-DMS	815-23R35M-DMS	815-23R40M-DMS	815-23R45M-DMS
25	-	815-25R25M-DMS	815-25R30M-DMS	815-25R35M-DMS	815-25R40M-DMS	815-25R45M-DMS
27	-	815-27R25M-DMS	815-27R30M-DMS	815-27R35M-DMS	815-27R40M-DMS	-
29	-	815-29R25M-DMS	815-29R30M-DMS	815-29R35M-DMS	815-29R40M-DMS	-

Machined return sprockets - Split

17	815-17R18M-RMS	815-17R25M-RMS <small>MOQ</small>	815-17R30M-RMS <small>MOQ</small>	815-17R35M-RMS <small>MOQ</small>	815-17R40M-RMS <small>MOQ</small>	-
19	815-19R18M-RMS	815-19R25M-RMS <small>MOQ</small>	815-19R30M-RMS <small>MOQ</small>	815-19R35M-RMS <small>MOQ</small>	815-19R40M-RMS <small>MOQ</small>	-
21	815-21R18M-RMS	815-21R25M-RMS <small>MOQ</small>	815-21R30M-RMS <small>MOQ</small>	815-21R35M-RMS <small>MOQ</small>	815-21R40M-RMS <small>MOQ</small>	-
23	815-23R18M-RMS	815-23R25M-RMS <small>MOQ</small>	815-23R30M-RMS <small>MOQ</small>	815-23R35M-RMS <small>MOQ</small>	815-23R40M-RMS <small>MOQ</small>	-
25	815-25R18M-RMS	815-25R25M-RMS <small>MOQ</small>	815-25R30M-RMS <small>MOQ</small>	815-25R35M-RMS <small>MOQ</small>	815-25R40M-RMS <small>MOQ</small>	-
27	815-27R18M-RMS	815-27R25M-RMS <small>MOQ</small>	815-27R30M-RMS <small>MOQ</small>	815-27R35M-RMS <small>MOQ</small>	815-27R40M-RMS <small>MOQ</small>	-
29	815-29R18M-RMS	815-29R25M-RMS <small>MOQ</small>	815-29R30M-RMS <small>MOQ</small>	815-29R35M-RMS <small>MOQ</small>	815-29R40M-RMS <small>MOQ</small>	-

Material: polyamide, screws in stainless steel, nuts in zinc plated steel, DIN 6885 key seat.

MOQ Min. order quantity: 50 pcs.



See also the chains:

812-815

11020a

11030a

11030b

815 VG

11150a

881M - 881MO

11060a

881VG - 881 VG TAB

11170a

815 VG TAB

11150a

8857 TAB

11110a



See also the sprockets and idler wheels:

11040a

11040b

11050a

11050b

11090c



Information about this product is only available on our Smart Guide™ website.