

Chains & sprockets	Wear strips	Side guide brackets & accessories	Levelers
Modular belts & sprockets	Chain & belt return systems	Frame & structure supports	Bearings
Curves & tracks	Side guide solutions	Miscellaneous products	Related information



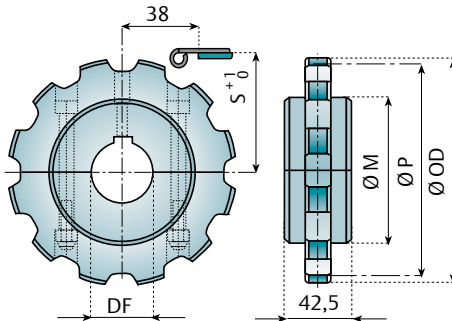
Click here for related information.

1 1 2 6 0 a

Sprockets

www.SystemPlastSmartGuide.com

For chains 828-879-880-879M-880M-878TAB VG-879TAB VG-LBP879M 8790P-8800P-878TAB GS-878TAB-879TAB-880TAB



Z	Ø OD mm	Ø P mm	B mm	M mm	S mm
9	110	111,4	95	92	59,3
10	122	123,3	107	88	65,25
11	135	135,2	119	92	71,2
12	147,3	147,2	131	105	77,2

Machined drive sprockets - Split Fixed

Z	Ø 18*	Ø 25	Ø 30	Ø 35	Ø 40
		Item description			
9	-	880-9R25M-DMS	880-9R30M-DMS	880-9R35M-DMS	880-9R40M-DMS
10	-	880-10R25M-DMS	880-10R30M-DMS	880-10R35M-DMS	880-10R40M-DMS
11	-	880-11R25M-DMS	880-11R30M-DMS	880-11R35M-DMS	880-11R40M-DMS
12	-	880-12R25M-DMS	880-12R30M-DMS	880-12R35M-DMS	880-12R40M-DMS

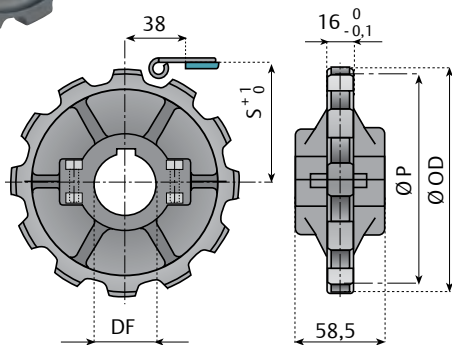
Features:

- Completely closed structure, easier to clean and to disinfect.
- Quickly replaceable.

Machined return sprockets - Split

9	880-9R18M-RMS	880-9R25M-RMS	880-9R30M-RMS	880-9R35M-RMS	880-9R40M-RMS
10	880-10R18M-RMS	880-10R25M-RMS	880-10R30M-RMS	880-10R35M-RMS	880-10R40M-RMS
11	880-11R18M-RMS	880-11R25M-RMS	880-11R30M-RMS	880-11R35M-RMS	880-11R40M-RMS
12	880-12R18M-RMS	880-12R25M-RMS	880-12R30M-RMS	880-12R35M-RMS	880-12R40M-RMS

Material: polyamide, screws in stainless steel, nuts in zinc plated steel, DIN 6885 key seat. *Plain Bore



Molded drive sprockets - Split Fixed

Z	Ø 25	Ø 30	Ø 35	Ø 40
	Item description			
10	880-10R25M-DS	880-10R30M-DS	880-10R35M-DS	880-10R40M-DS
12	880-12R25M-DS	880-12R30M-DS	880-12R35M-DS	880-12R40M-DS

Molded return sprockets - Split

10	880-10R25M-RS	880-10R30M-RS	880-10R35M-RS	880-10R40M-RS
12	880-12R25M-RS	880-12R30M-RS	880-12R35M-RS	880-12R40M-RS

Material: reinforced polyamide, screws in stainless steel, nuts in nickel plated brass, DIN 6885 key seat.



See also the chains:

828
1 1 2 1 0 a

879-880
1 1 2 4 0 a

879J-880J
1 1 2 4 0 b

879M-880M
1 1 2 2 0 a

878 TAB GS
1 1 4 3 0 a

878TAB - 879TAB-880TAB
1 1 2 3 0 a

LBP 879 M
1 1 3 5 0 a

878 TAB VG-879 TAB VG
1 1 3 9 0 a



See also the sprockets and idler wheels:

1 1 2 6 0 b

1 1 2 6 0 c

1 1 2 6 0 d

Information about this product is only available on our Smart Guide™ website.