

<b>Chains &amp; sprockets</b>	Wear strips	Side guide brackets & accessories	Levelers
Modular belts & sprockets	Chain & belt return systems	Frame & structure supports	Bearings
Curves & tracks	Side guide solutions	Miscellaneous products	Related information



**11090a**

## Sprockets

[www.SystemPlastSmartGuide.com](http://www.SystemPlastSmartGuide.com)

For chains 881 - 881O - 881TAB - 881OTAB - 881MOVG

### Features:

- Maximum keyway load.



Click here for related information.



See also the idler wheels:

**11090b**

**11090c**

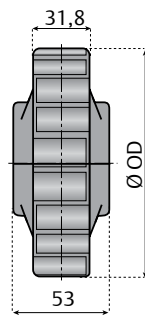
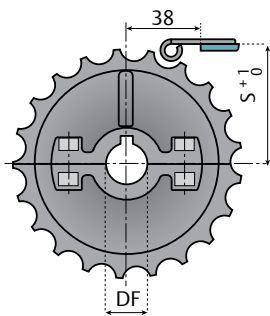


**881TAB - 8810 TAB**  
**11070a**

**881 - 881TAB**  
**11070b**

**881 MOVG**  
**11160a**

**881 - 8810**  
**11080a**



### Molded drive sprockets - Split Fixed

Z	Ø25	Ø30	Ø35	Ø40	Ø45
	<b>Item description</b>				
21	881-21R25M-DS	881-21R30M-DS	881-21R35M-DS	881-21R40M-DS	881-21R45M-DS
23	881-23R25M-DS	881-23R30M-DS	881-23R35M-DS	881-23R40M-DS	-
25	881-25R25M-DS	881-25R30M-DS	881-25R35M-DS	881-25R40M-DS	881-25R45M-DS

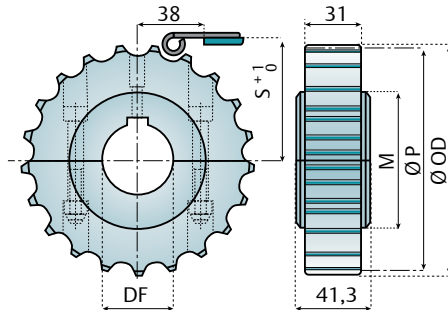
### Molded return sprockets - Split

21	881-21R25M-RS	881-21R30M-RS	881-21R35M-RS	881-21R40M-RS	881-21R45M-RS
23	881-23R25M-RS	881-23R30M-RS	881-23R35M-RS	881-23R40M-RS	-
25	881-25R25M-RS	881-25R30M-RS	881-25R35M-RS	881-25R40M-RS	881-25R45M-RS

Material: reinforced polyamide, screws in stainless steel, nuts in nickel plated brass, DIN 6885 key seat.

### Features:

- Completely closed structure, easier to clean and to disinfect.
- Quick and easy replacement.
- Sprockets and idler wheels made of Steel on request.



Z	Ø OD mm	Ø P mm	M mm	S mm
17	103,9	105,47	70	55,9
19	117	117,34	70	61,9
21	129	129,26	85	67,8
23	142	141,21	90	73,8
25	154	153,21	90	79,8
27	166,8	165,2	100	85,8
29	178,5	177,24	110	91,8



Information about this product is only available on our Smart Guide™ website.



### Machined drive sprockets - Split Fixed

Z	Ø 18*	Ø 25	Ø 30	Ø 35	Ø 40	Ø 45
	<b>Item description</b>					
17	-	881-17R25M-DMS	881-17R30M-DMS	881-17R35M-DMS	881-17R40M-DMS	-
19	-	881-19R25M-DMS	881-19R30M-DMS	881-19R35M-DMS	881-19R40M-DMS	-
21	-	881-21R25M-DMS	881-21R30M-DMS	881-21R35M-DMS	881-21R40M-DMS	881-21R45M-DMS
23	-	881-23R25M-DMS	881-23R30M-DMS	881-23R35M-DMS	881-23R40M-DMS	881-23R45M-DMS
25	-	881-25R25M-DMS	881-25R30M-DMS	881-25R35M-DMS	881-25R40M-DMS	881-25R45M-DMS
27	-	881-27R25M-DMS	881-27R30M-DMS	881-27R35M-DMS	881-27R40M-DMS	-
29	-	881-29R25M-DMS	881-29R30M-DMS	881-29R35M-DMS	881-29R40M-DMS	-



### Machined return sprockets - Split

17	881-17R18M-RMS	881-17R25M-RMS	881-17R30M-RMS	881-17R35M-RMS	881-17R40M-RMS	-
19	881-19R18M-RMS	881-19R25M-RMS	881-19R30M-RMS	881-19R35M-RMS	881-19R40M-RMS	-
21	881-21R18M-RMS	881-21R25M-RMS	881-21R30M-RMS	881-21R35M-RMS	881-21R40M-RMS	-
23	881-23R18M-RMS	881-23R25M-RMS	881-23R30M-RMS	881-23R35M-RMS	881-23R40M-RMS	-
25	881-25R18M-RMS	881-25R25M-RMS	881-25R30M-RMS	881-25R35M-RMS	881-25R40M-RMS	-
27	881-27R18M-RMS	881-27R25M-RMS	881-27R30M-RMS	881-27R35M-RMS	881-27R40M-RMS	-
29	881-29R18M-RMS	881-29R25M-RMS	881-29R30M-RMS	881-29R35M-RMS	881-29R40M-RMS	-

Material: polyamide, screws in stainless steel, nuts in zinc plated steel, DIN 6885 key seat. \*Plain Bore