

| | | | |
|-------------------------------|-----------------------------|-----------------------------------|---------------------|
| Chains & sprockets | Wear strips | Side guide brackets & accessories | Levelers |
| Modular belts & sprockets | Chain & belt return systems | Frame & structure supports | Bearings |
| Curves & tracks | Side guide solutions | Miscellaneous products | Related information |

1 1 0 4 0 a

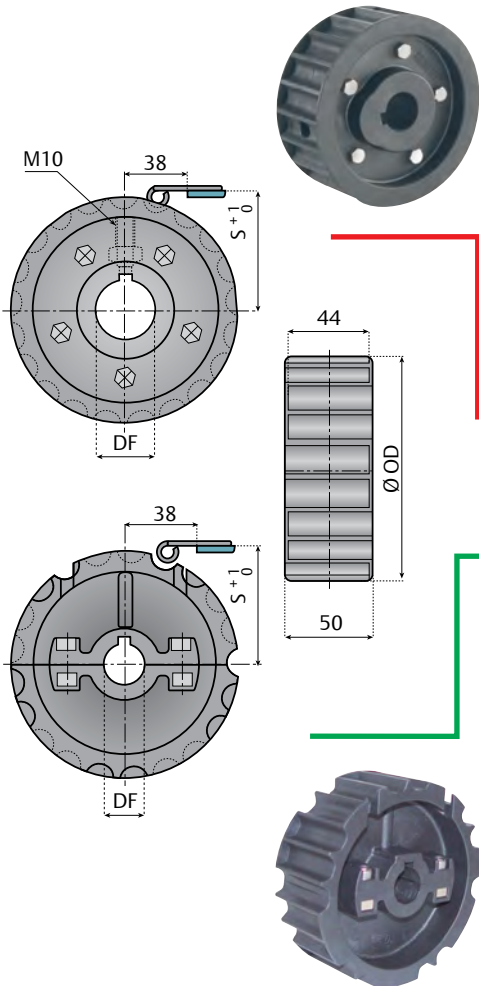
www.SystemPlastSmartGuide.com

Sprockets

For chains 812 - 815 - 815VG - 881M - 881MO



Click here for related information.



| Molded drive sprockets - One piece Tight | | | | | |
|--|--------------|--------------|--------------|--------------|------|
| Z | Ø 25 | Ø 30 | Ø 35 | Ø 40 | Ø 45 |
| 19 | 815-19R25M-D | 815-19R30M-D | 815-19R35M-D | 815-19R40M-D | - |

| Molded drive sprockets - Split Fixed | | | | | |
|--------------------------------------|---------------|---------------|---------------|---------------|---------------|
| Z | Ø 25 | Ø 30 | Ø 35 | Ø 40 | Ø 45 |
| 21 | 815-21R25M-DS | 815-21R30M-DS | 815-21R35M-DS | 815-21R40M-DS | 815-21R45M-DS |
| 23 | 815-23R25M-DS | 815-23R30M-DS | 815-23R35M-DS | 815-23R40M-DS | - |
| 25 | 815-25R25M-DS | 815-25R30M-DS | 815-25R35M-DS | 815-25R40M-DS | 815-25R45M-DS |

Material: reinforced polyamide, screws in stainless steel, nuts in zinc plated steel, DIN 6885 key seat.

| Z | Ø OD mm | Ø P mm | S mm |
|----|---------|--------|------|
| 19 | 117 | 117,34 | 61,9 |
| 21 | 129 | 129,26 | 67,8 |
| 23 | 142 | 141,21 | 73,8 |
| 25 | 154 | 153,21 | 79,8 |

Features:

- Completely closed structure, easier to clean and to disinfect.
- Split versions: quick and easy replacement.



Information about this product is only available on our Smart Guide™ website.



See also the sprockets and idler wheels:

1 1 0 4 0 b

1 1 0 5 0 a

1 1 0 5 0 b

1 1 0 9 0 c



For information about chains. Go to:

812-815

1 1 0 2 0 a

1 1 0 3 0 a

1 1 0 3 0 b

815 VG

1 1 1 5 0 a

881M - 881MO

1 1 0 6 0 a