

Chains & Sprockets	Wear Strips	Side Guide Brackets & Accessories	Levelers
Modular Belts & Sprockets	Chain & Belt Return Systems	Frame & Structure Supports	Bearings
Curves & Tracks	Side Guide Solutions	Miscellaneous Products	Related Information

21070a

Drive and Return Sprockets

www.SystemPlastSmartGuide.com

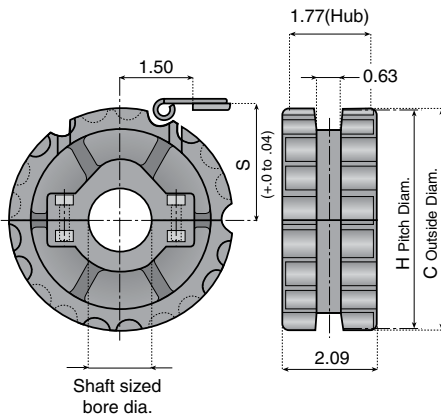
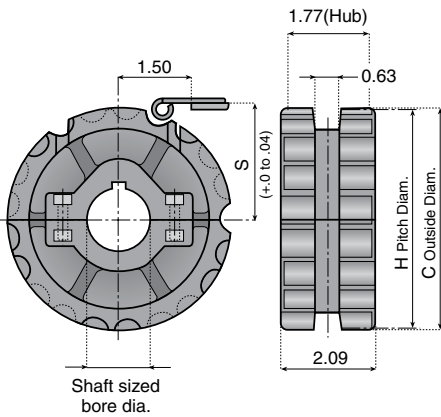
For Plastic Chains 820 - 831



Click here for related information.



Material: Reinforced polyamide, stainless steel connecting screws, nickel plated brass nuts

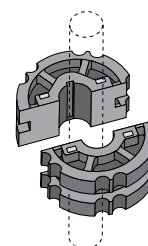


Molded drive sprockets - Split Fixed						
Item Description	Item Number	Shaft Sized Bore Dia.	Number of Teeth	Outside Diameter C	Pitch Diameter H	Shaft Center to Wear Surface S (+0 to .04)
820-21R1-DS-SS	32057	1	21	5.08	5.09	2.67
820-21R1.25-DS-SS	32058	1-1/4				
820-21R1.44-DS-SS	32059	1-7/16				
820-21R1.5-DS-SS	32060	1-1/2				
820-23R1-DS-SS	32104	1	23	5.59	5.56	2.91
820-23R1.25-DS-SS	32105	1-1/4				
820-23R1.44-DS-SS	32106	1-7/16				
820-23R1.5-DS-SS	32107	1-1/2				
820-25R1-DS-SS	32069	1	25	6.06	6.03	3.14
820-25R1.25-DS-SS	32070	1-1/4				
820-25R1.44-DS-SS	32071	1-7/16				
820-25R1.5-DS-SS	32072	1-1/2				
Molded return sprockets - Split						
820-21R1-RS	321095	1	21	5.08	5.09	2.67
820-21R1.25-RS	321096	1-1/4				
820-21R1.44-RS	321097	1-7/16				
820-21R1.5-RS	321098	1-1/2				
820-23R1-RS	321100	1	23	5.59	5.56	2.91
820-23R1.25-RS	321101	1-1/4				
820-23R1.44-RS	321102	1-7/16				
820-23R1.5-RS	321103	1-1/2				
820-25R1-RS	321105	1	25	6.06	6.03	3.14
820-25R1.25-RS	321106	1-1/4				
820-25R1.44-RS	321107	1-7/16				
820-25R1.5-RS	321108	1-1/2				

See chains:

820 **21050a** 831 **21060a**

Set collars, go to: **63660a**



Positioning pins ensure accurate tooth alignment and aid assembly.