

Chains & Sprockets	Wear Strips	Side Guide Brackets & Accessories	Levelers
Modular Belts & Sprockets	Chain & Belt Return Systems	Frame & Structure Supports	Bearings
Curves & Tracks	Side Guide Solutions	Miscellaneous Products	Related Information

21130a

Drive and Return Sprockets

www.SystemPlastSmartGuide.com

For Plastic Chains 828 - 879 - 879TAB - 880TAB - 879M - 880M
878TAB - 878LBP TAB - 878TAB VG - 878TAB GS - 879LBP M



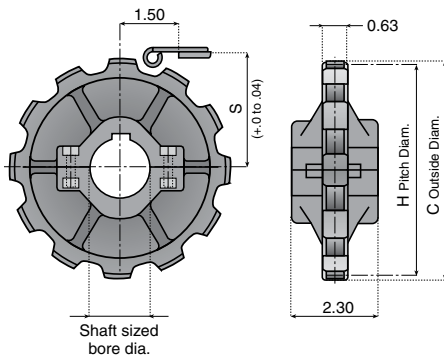
Material: Reinforced polyamide, stainless steel connecting screws, nickel plated brass nuts



Molded drive sprockets - Split

Fixed

Item Description	Item Number	Shaft Sized Bore Dia.	Number of Teeth	Outside Diameter C	Pitch Diameter H	Shaft Center to Wear Surface S (+0 to .04)
880-10R1-DS-SS	321001	1	10	4.80	4.85	2.57
880-10R1.25-DS-SS	321002	1-1/4				
880-10R1.44-DS-SS	321003	1-7/16				
880-10R1.5-DS-SS	321004	1-1/2				
880-12R1-DS-SS	32400	1	12	5.80	5.80	3.04
880-12R1.25-DS-SS	32711	1-1/4				
880-12R1.44-DS-SS	32401	1-7/16				
880-12R1.5-DS-SS	32402	1-1/2				

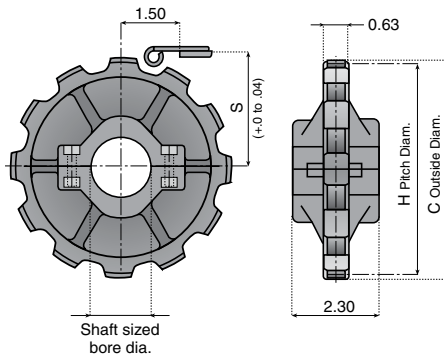


Shaft sized bore dia.

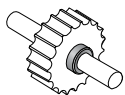


Molded return sprockets - Split

Item Description	Item Number	Shaft Sized Bore Dia.	Number of Teeth	Outside Diameter C	Pitch Diameter H	Shaft Center to Wear Surface S (+0 to .04)
880-10R1-RS	321005	1	10	4.80	4.85	2.57
880-10R1.25-RS	321006	1-1/4				
880-10R1.44-RS	321007	1-7/16				
880-10R1.5-RS	321008	1-1/2				
880-12R1-RS	32403	1	12	5.80	5.80	3.04
880-12R1.25-RS	32404	1-1/4				
880-12R1.44-RS	32405	1-7/16				
880-12R1.5-RS	32406	1-1/2				



Shaft sized bore dia.

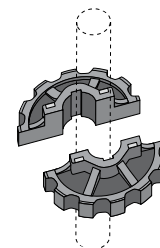


Set collars, go to:

63660a

Additional sprockets, go to:

21130b



Positioning pins ensure accurate tooth alignment and aid assembly.



See chains:

828 21100a	879 21110a	879TAB - 880TAB 21110b
879M - 880M 21110c	878TAB 21120a	878LBP TAB 21170a
878TAB VG 21190a	878TAB GS 21200a	879LBP M 21170a