

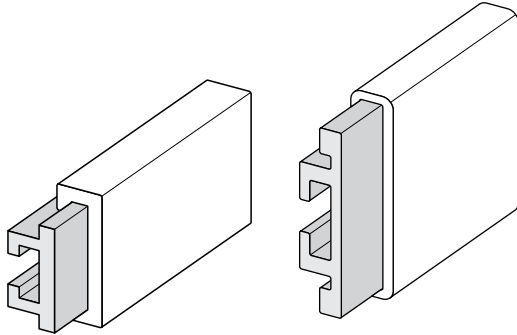
Chains & Sprockets	Wear Strips	Side Guide Brackets & Accessories	Levelers
Modular Belts & Sprockets	Chain & Belt Return Systems	Frame & Structure Supports	Bearings
Curves & Tracks	Side Guide Solutions	Miscellaneous Products	Related Information



6 0 5 3 0 b

Aluminum and UHMW Guide Rails

www.SystemPlastSmartGuide.com



Application: The following aluminum extrusions can be used with any of the UHMW inserts listed on this page. These rails are commonly used as side guides and as support members under belting and table top chain. Fastening hardware not included.

Rail Material: Aluminum
Insert Material: UHMW-PE



Click here for related information.



	Aluminum	UHMW-PE White	Nolu®-S	
	VG-A1878-10	-	-	10 ft
	VG-A1878-20	-	-	20 ft
	-	VG-P1878BC-10	VG-P1878BC-NS-10	10 ft
	-	VG-P1878BC-20	VG-P1878BC-NS-20	20 ft
	VG-A2520-10	-	-	10 ft
	VG-A2520-20	-	-	20 ft
	-	VG-P2520BC-10	VG-P2520BC-NS-10	10 ft
	-	VG-P2520BC-20	VG-P2520BC-NS-20	20 ft

Note: Inch dimensions shown.

For other aluminum and UHMW guide rail, go to page: **6 0 5 3 0 a**