

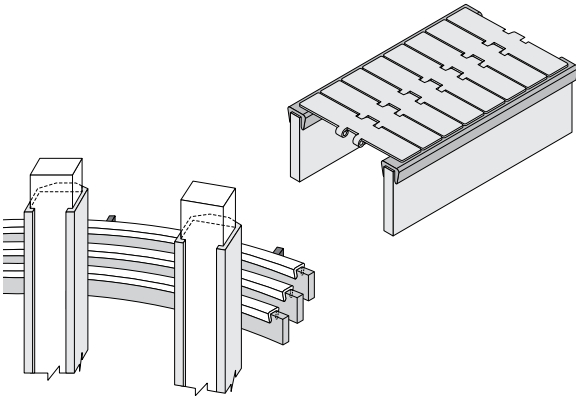
Chains & Sprockets	Wear Strips	Side Guide Brackets & Accessories	Levelers
Modular Belts & Sprockets	Chain & Belt Return Systems	Frame & Structure Supports	Bearings
Curves & Tracks	Side Guide Solutions	Miscellaneous Products	Related Information



60590c

Bar Caps

www.SystemPlastSmartGuide.com



Application: These UHMW based extrusions are commonly used as wear strips underneath chains and belts. Various profiles and material types are available to suit a multitude of applications. The Nolu[®]-S material offers a lower coefficient of friction which provides a sustainable advantage over UHMW in wear bed applications.



Click here for related information.

Materials: UHMW-PE or Nolu[®]-S



	UHMW-PE White	Nolu [®] -S		
<p>Note: Clips onto 1/4" flat bar.</p>	Item Description	Item Description		
	VG-P14BC-100	VG-P14BC-NS-100	100 ft	-
<p>Note: Clips onto 1/4" flat bar.</p>	Item Description	Item Description		
	VG-P14BC-250	VG-P14BC-NS-250	250 ft	-
<p>Note: Clips onto 3/8" flat bar.</p>	Item Description	Item Description		
	VG-P14HD-10	VG-P14HD-NS-10	-	10 ft
<p>Note: Clips onto 1/2" flat bar.</p>	Item Description	Item Description		
	VG-P14HD-20	VG-P14HD-NS-20	-	20 ft
<p>Note: Clips onto 3/8" flat bar.</p>	VG-P38BC-100	VG-P38BC-NS-100	100 ft	-
	VG-P38BC-250	VG-P38BC-NS-250	250 ft	-
<p>Note: Clips onto 1/2" flat bar.</p>	VG-P12BC-100	VG-P12BC-NS-100	100 ft	-
	VG-P12BC-250	VG-P12BC-NS-250	250 ft	-

Note: Inch dimensions shown.