

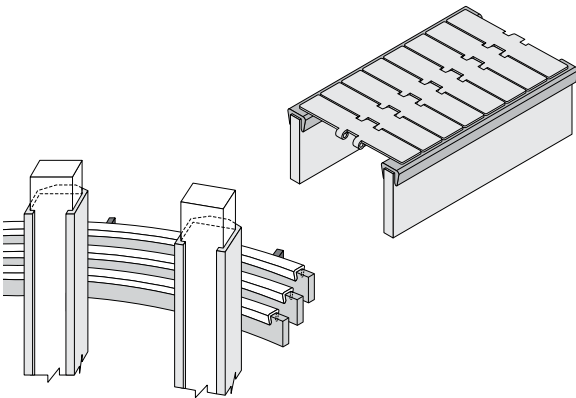
Chains & Sprockets	Wear Strips	Side Guide Brackets & Accessories	Levelers
Modular Belts & Sprockets	Chain & Belt Return Systems	Frame & Structure Supports	Bearings
Curves & Tracks	Side Guide Solutions	Miscellaneous Products	Related Information



60590b

Bar Caps

www.SystemPlastSmartGuide.com



Application: These UHMW based extrusions are commonly used as wear strips underneath chains and belts. Various profiles and material types are available to suit a multitude of applications. The Nolu®-S material offers a lower coefficient of friction which provides a sustainable advantage over UHMW in wear bed applications.

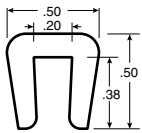


Click here for related information.

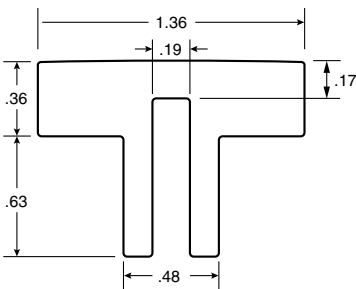
Materials: UHMW-PE or Nolu®-S



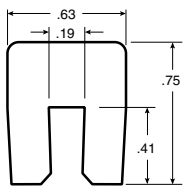
UHMW-PE White	Nolu®-S		
Item Description	Item Description		
VG-P316SBC-100	VG-P316SBC-NS-100	100 ft	-
VG-P316SBC-250	VG-P316SBC-NS-250	250 ft	-
-	VG-P316TBC-NS-10	-	10 ft
-	VG-P316TBC-NS-20	-	20 ft
VG-P316HD-10	-	-	10 ft
VG-P316HD-20	-	-	20 ft
VG-P7GABC-10	VG-P7GABC-NS-10	-	10 ft
VG-P7GABC-20	VG-P7GABC-NS-20	-	20 ft
VG-P7GABC-100	VG-P7GABC-NS-100	100 ft	-



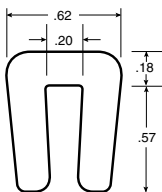
Note: Clips onto 3/16" flat bar.



Note: Clips onto 3/16" flat bar.



Note: Clips onto 3/16" flat bar.



Note: Clips onto 7 ga. steel.

Note: Inch dimensions shown.

For other Bar Caps, go to page: **60590a 60590b**