

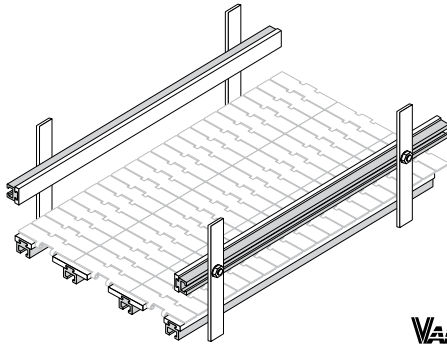
Chains & Sprockets	Wear Strips	Side Guide Brackets & Accessories	Levelers
Modular Belts & Sprockets	Chain & Belt Return Systems	Frame & Structure Supports	Bearings
Curves & Tracks	Side Guide Solutions	Miscellaneous Products	Related Information



**6 0 5 3 0 a**

## Aluminum and UHMW Guide Rails

[www.SystemPlastSmartGuide.com](http://www.SystemPlastSmartGuide.com)



**Application:** The following aluminum extrusions can be used with any of the UHMW inserts listed on this page. These rails are commonly used as side guides and as support members under belting and table top chain. Fastening hardware not included.



Click here for related information.

**Rail Material:** Aluminum  
**Insert Material:** UHMW-PE



Aluminum	UHMW-PE White		
Item Description	Item Description		
	<b>VG-A600-10</b>	-	10 ft
	<b>VG-A600-20</b>	-	20 ft
	<b>VG-P813-10</b>	-	10 ft
	<b>VG-P813-20</b>	-	20 ft
	<b>VG-P813-100</b>	100 ft	-
	<b>VG-P813F-10</b>	-	10 ft
	<b>VG-P813F-20</b>	-	20 ft
	<b>VG-P813F-100</b>	100 ft	-
	<b>VG-P816F-20</b>	-	20 ft
	<b>VG-P834F-10</b>	-	10 ft
	<b>VG-P834F-20</b>	-	20 ft

**Note:** Inch dimensions shown.

For other aluminum and UHMW guide rail, go to page: **6 0 5 3 0 b**