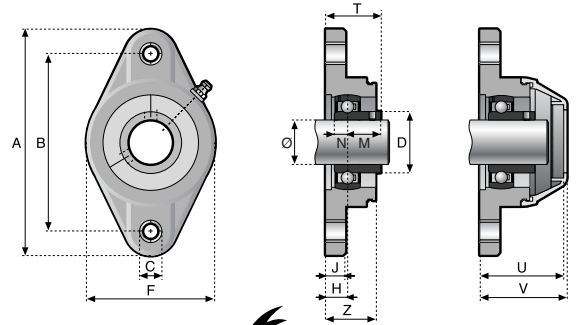




- Duty:** Standard
- Rolling Elements:** Ball
- Bearing Material:** 52100 Chrome Steel or 400 Series Stainless Steel
- Housing:** Black Polyamide
- Self-Alignment:** ± 1°
- Lock:** Setscrew
- Bearing Seal:** Single Lip Contact
- Back Seal:** Spring Seal
- End Cap:** Yellow Protective Cap
- Temperature:** 30° to 180°F (0° to 82°C)



This UCFH style mounted bearing uses external fitting caps.

UCFH SERIES TWO BOLT FLANGE - POLYAMIDE - SETSCREW LOCKING - EXTERNAL FIT SAFETY CAP

BORE DIAMETER		52100 CHROME STEEL BEARING INSERT		
		OPTIONAL SAFETY CAP	SEALED CLOSED CAP	SEALED OPEN CAP
inch	mm	PART DESCRIPTION	PART DESCRIPTION	PART DESCRIPTION
3/4	-	UCFH204-12	UCFH204-12-CEC	UCFH204-12-OEC
-	20	UCFH204-20M	UCFH204-20M-CEC	UCFH204-20M-OEC
1	-	UCFH205-16	UCFH205-16-CEC	UCFH205-16-OEC
-	25	UCFH205-25M	UCFH205-25M-CEC	UCFH205-25M-OEC
1 3/16	-	UCFH206-19	UCFH206-19-CEC	UCFH206-19-OEC
1 1/4R	-	UCFH206-20	UCFH206-20-CEC	UCFH206-20-OEC
-	30	UCFH206-30M	UCFH206-30M-CEC	UCFH206-30M-OEC
1 1/4	-	UCFH207-20	-	-
1 7/16	-	UCFH207-23	UCFH207-23-CEC	UCFH207-23-OEC
-	35	UCFH207-35M	UCFH207-35M-CEC	UCFH207-35M-OEC
1 1/2	-	UCFH208-24	UCFH208-24-CEC	UCFH208-24-OEC
-	40	UCFH208-40M	UCFH208-40M-CEC	UCFH208-40M-OEC

Note: Bearing assembly supplied with a lubrication fitting installed in the housing with an optional plug in the box if relubrication is not required.

BORE DIAMETER		DIMENSIONS inch / mm						
		A	B	C	D	F	H	J
inch	mm							
3/4	-	4 1/2	3 35/64	27/64	1 1/8	2 33/64	39/64	25/64
-	20	114.0	89.9	11	28.4	64.0	15.5	9.9
1	-	5 1/8	3 29/32	29/64	1 11/32	2 3/4	43/64	1/2
-	25	130.0	99.1	11.5	34.0	70.1	17.0	12.2
1 3/16	-	5 53/64	4 39/64	29/64	1 9/16	3 5/16	9/16	1/2
1 1/4R	-							
-	30	148.1	117.1	11.5	39.9	84.1	14.5	12.2
1 1/4	-	6 27/64	5 1/8	9/16	1 27/32	3 17/32	23/32	5/8
1 7/16	-							
-	35	163.1	130.0	14.0	46.7	89.9	18.0	15.7
1 1/2	-	6 7/8	5 21/32	9/16	2 1/16	3 15/16	23/32	5/8
-	40	175.0	144.0	14.0	52.6	100.1	18.0	15.7

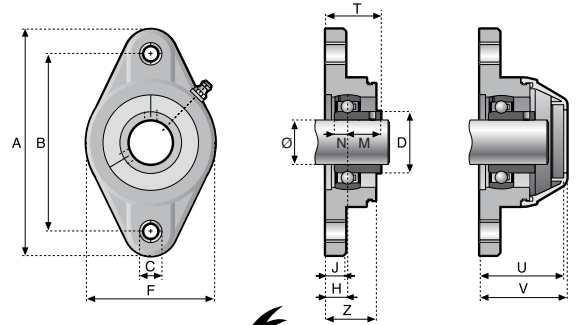
UCFH SERIES TWO BOLT FLANGE - POLYAMIDE - SETSCREW LOCKING - EXTERNAL FIT SAFETY CAP

BORE DIAMETER		STAINLESS STEEL BEARING INSERT		
		OPTIONAL SAFETY CAP	SEALED CLOSED CAP	SEALED OPEN CAP
inch	mm	PART DESCRIPTION	PART DESCRIPTION	PART DESCRIPTION
3/4	-	UCFH204-12-SS	UCFH204-12-SS-CEC	UCFH204-12-SS-OEC
-	20	UCFH204-20M-SS	UCFH204-20M-SS-CEC	UCFH204-20M-SS-OEC
1	-	UCFH205-16-SS	UCFH205-16-SS-CEC	UCFH205-16-SS-OEC
-	25	UCFH205-25M-SS	UCFH205-25M-SS-CEC	UCFH205-25M-SS-OEC
1 3/16	-	UCFH206-19-SS	UCFH206-19-SS-CEC	UCFH206-19-SS-OEC
1 1/4R	-	UCFH206-20-SS	UCFH206-20-SS-CEC	UCFH206-20-SS-OEC
-	30	UCFH206-30M-SS	UCFH206-30M-SS-CEC	UCFH206-30M-SS-OEC
1 1/4	-	UCFH207-20-SS	-	-
1 7/16	-	UCFH207-23-SS	UCFH207-23-SS-CEC	UCFH207-23-SS-OEC
-	35	UCFH207-35M-SS	UCFH207-35M-SS-CEC	UCFH207-35M-SS-OEC
1 1/2	-	UCFH208-24-SS	UCFH208-24-SS-CEC	UCFH208-24-SS-OEC
-	40	UCFH208-40M-SS	UCFH208-40M-SS-CEC	UCFH208-40M-SS-OEC

BORE DIAMETER		DIMENSIONS inch / mm									WEIGHT (lbs/kgs)
		M	M Stainless	N	N Stainless	T	T Stainless	U	V	Z	
inch	mm										
3/4	-	23/32	23/32	9/32	19/64	1 21/64	1 21/64	1 7/8	1 61/64	1	0.46
-	20	18.3	18.3	7.1	7.6	33.8	33.8	47.5	49.5	25.9	0.21
1	-	49/64	25/32	19/64	19/64	1 7/16	1 7/16	2 1/16	2 1/8	1 9/64	0.70
-	25	19.6	19.8	7.6	7.6	36.6	36.8	52.3	54.1	29.0	0.32
1 3/16	-	7/8	7/8	5/16	11/32	1 7/16	1 29/64	2	2 1/16	1 9/64	1.03
1 1/4R	-										
-	30	22.1	22.1	7.9	8.9	36.6	36.8	50.8	52.6	29.0	0.47
1 1/4	-	1	1	3/8	3/8	1 23/32	1 23/32	2 1/2	2 19/32	1 19/64	1.36
1 7/16	-										
-	35	25.4	25.4	9.4	9.7	43.4	43.4	63.8	65.8	33.0	0.62
1 1/2	-	1 3/16	1 3/16	11/32	7/16	1 57/64	1 57/64	2 1/2	2 9/16	1 3/8	1.81
-	40	30.2	30.2	8.9	10.9	48.0	48.0	63.2	65.3	35.1	0.82



- Duty:** Standard
- Rolling Elements:** Ball
- Bearing Material:** 52100 Chrome Steel or 400 Series Stainless Steel
- Housing:** White Nolu®-Clean Housing
- Self-Alignment:** ± 1°
- Lock:** Setscrew
- Bearing Seal:** Single Lip Contact
- Back Seal:** Spring Seal
- End Cap:** White Protective Cap
- Temperature:** 30° to 180°F (0° to 82°C)



This UCFH style mounted bearing uses external fitting caps.

UCFH SERIES TWO BOLT FLANGE - NOLU-CLEAN HOUSING - SETSCREW LOCKING - EXTERNAL FIT SAFETY CAP

BORE DIAMETER		52100 CHROME STEEL BEARING INSERT		
		OPTIONAL SAFETY CAP	SEALED CLOSED CAP	SEALED OPEN CAP
inch	mm	PART DESCRIPTION	PART DESCRIPTION	PART DESCRIPTION
3/4	-	UCFH204-12-NC	UCFH204-12-NC-CEC	UCFH204-12-NC-OEC
-	20	UCFH204-20M-NC	UCFH204-20M-NC-CEC	UCFH204-20M-NC-OEC
1	-	UCFH205-16-NC	UCFH205-16-NC-CEC	UCFH205-16-NC-OEC
-	25	UCFH205-25M-NC	UCFH205-25M-NC-CEC	UCFH205-25M-NC-OEC
1 3/16	-	UCFH206-19-NC	UCFH206-19-NC-CEC	UCFH206-19-NC-OEC
1 1/4R	-	UCFH206-20-NC	UCFH206-20-NC-CEC	UCFH206-20-NC-OEC
-	30	UCFH206-30M-NC	UCFH206-30M-NC-CEC	UCFH206-30M-NC-OEC
1 1/4	-	UCFH207-20-NC	-	-
1 7/16	-	UCFH207-23-NC	UCFH207-23-NC-CEC	UCFH207-23-NC-OEC
-	35	UCFH207-35M-NC	UCFH207-35M-NC-CEC	UCFH207-35M-NC-OEC
1 1/2	-	UCFH208-24-NC	UCFH208-24-NC-CEC	UCFH208-24-NC-OEC
-	40	UCFH208-40M-NC	UCFH208-40M-NC-CEC	UCFH208-40M-NC-OEC

Note: Bearing assembly supplied with a lubrication fitting installed in the housing with an optional plug in the box if relubrication is not required.

BORE DIAMETER		DIMENSIONS inch / mm						
		A	B	C	D	F	H	J
inch	mm							
3/4	-	4 1/2	3 35/64	27/64	1 1/8	2 33/64	39/64	25/64
-	20	114.0	89.9	11	28.4	64.0	15.5	9.9
1	-	5 1/8	3 29/32	29/64	1 11/32	2 3/4	43/64	1/2
-	25	130.0	99.1	11.5	34.0	70.1	17.0	12.2
1 3/16	-	5 53/64	4 39/64	29/64	1 9/16	3 5/16	9/16	1/2
1 1/4R	-	148.1	117.1	11.5	39.9	84.1	14.5	12.2
1 1/4	-	6 27/64	5 1/8	9/16	1 27/32	3 17/32	23/32	5/8
1 7/16	-	163.1	130.0	14.0	46.7	89.9	18.0	15.7
1 1/2	-	6 7/8	5 21/32	9/16	2 1/16	3 15/16	23/32	5/8
-	40	175.0	144.0	14.0	52.6	100.1	18.0	15.7

UCFH SERIES TWO BOLT FLANGE - NOLU®-CLEAN HOUSING - SETSCREW LOCKING - EXTERNAL FIT SAFETY CAP

BORE DIAMETER		STAINLESS STEEL BEARING INSERT		
		OPTIONAL SAFETY CAP	SEALED CLOSED CAP	SEALED OPEN CAP
inch	mm	PART DESCRIPTION	PART DESCRIPTION	PART DESCRIPTION
3/4	-	UCFH204-12-SS-NC	UCFH204-12-SS-NC-CEC	UCFH204-12-SS-NC-OEC
-	20	UCFH204-20M-SS-NC	UCFH204-20M-SS-NC-CEC	UCFH204-20M-SS-NC-OEC
1	-	UCFH205-16-SS-NC	UCFH205-16-SS-NC-CEC	UCFH205-16-SS-NC-OEC
-	25	UCFH205-25M-SS-NC	UCFH205-25M-SS-NC-CEC	UCFH205-25M-SS-NC-OEC
1 3/16	-	UCFH206-19-SS-NC	UCFH206-19-SS-NC-CEC	UCFH206-19-SS-NC-OEC
1 1/4R	-	UCFH206-20-SS-NC	UCFH206-20-SS-NC-CEC	UCFH206-20-SS-NC-OEC
-	30	UCFH206-30M-SS-NC	UCFH206-30M-SS-NC-CEC	UCFH206-30M-SS-NC-OEC
1 1/4	-	UCFH207-20-SS-NC	-	-
1 7/16	-	UCFH207-23-SS-NC	UCFH207-23-SS-NC-CEC	UCFH207-23-SS-NC-OEC
-	35	UCFH207-35M-SS-NC	UCFH207-35M-SS-NC-CEC	UCFH207-35M-SS-NC-OEC
1 1/2	-	UCFH208-24-SS-NC	UCFH208-24-SS-NC-CEC	UCFH208-24-SS-NC-OEC
-	40	UCFH208-40M-SS-NC	UCFH208-40M-SS-NC-CEC	UCFH208-40M-SS-NC-OEC

BORE DIAMETER		DIMENSIONS inch / mm									WEIGHT (lbs/kgs)
		M	M Stainless	N	N Stainless	T	T Stainless	U	V	Z	
inch	mm										
3/4	-	23/32	23/32	9/32	19/64	1 21/64	1 21/64	1 7/8	1 61/64	1	0.46
-	20	18.3	18.3	7.1	7.6	33.8	33.8	47.5	49.5	25.9	0.21
1	-	49/64	25/32	19/64	19/64	1 7/16	1 7/16	2 1/16	2 1/8	1 9/64	0.70
-	25	19.6	19.8	7.6	7.6	36.6	36.8	52.3	54.1	29.0	0.32
1 3/16	-	7/8	7/8	5/16	11/32	1 7/16	1 29/64	2	2 1/16	1 9/64	1.03
1 1/4R	-										
-	30	22.1	22.1	7.9	8.9	36.6	36.8	50.8	52.6	29.0	0.47
1 1/4	-	1	1	3/8	3/8	1 23/32	1 23/32	2 1/2	2 19/32	1 19/64	1.36
1 7/16	-										
-	35	25.4	25.4	9.4	9.7	43.4	43.4	63.8	65.8	33.0	0.62
1 1/2	-	1 3/16	1 3/16	11/32	7/16	1 57/64	1 57/64	2 1/2	2 9/16	1 3/8	1.81
-	40	30.2	30.2	8.9	10.9	48.0	48.0	63.2	65.3	35.1	0.82