

Chains & Sprockets	Wear Strips	Side Guide Brackets & Accessories	Levelers
Modular Belts & Sprockets	Chain & Belt Return Systems	Frame & Structure Supports	Bearings
Curves & Tracks	Side Guide Solutions	Miscellaneous Products	Related Information



60610a

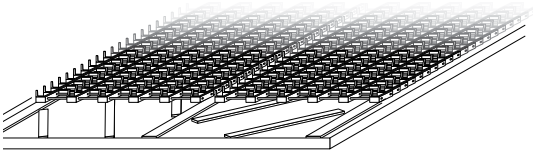
Wear Strips

www.SystemPlastSmartGuide.com

Application: These machined rectangular wear strips are used for support and wear beds underneath chains and belts. They are available in standard 10 foot strips and can be cut at installation to the desired length. Since these are wear strips they are offered in our exclusive Nolu®-S material providing reduced friction, reduced noise and the ability to run at higher speeds. The leading edge should be riveted down using one of the VG-750 series rivets.



Click here for related information.

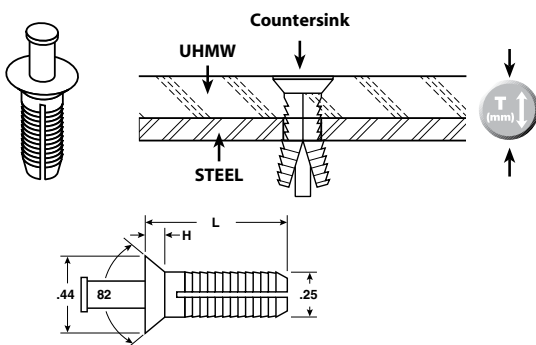


Material: Nolu®-S



Nolu®-S	W	T (in)	L
Item Description			
SS-0412-10	3/4	1/4	10 ft
SS-0416-10	1	1/4	10 ft
SS-0424-10	1-1/2	1/4	10 ft
SS-0432-10	2	1/4	10 ft
SS-0448-10	3	1/4	10 ft

Drive Rivet for Wear Strips



Polyamide	Pin Material	L	H	T (mm)		
Item Description				Min	Max	
VG-750-10	Acetal	.75	.111	.188	.50	100
VG-750-20		1.0		.25	.75	