

Chains & sprockets	Wear strips	Side guide brackets & accessories	Levelers
Modular belts & sprockets	<b>Chain &amp; belt return systems</b>	Frame & structure supports	Bearings
Curves & tracks	Side guide solutions	Miscellaneous products	Related information



**5 1 1 1 0 a**

## Solid rollers for chains and belts

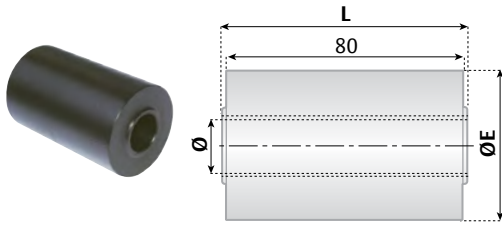
www.SystemPlastSmartGuide.com

Also available in PE Material, watertight version, go to:

**5 1 0 8 0 a**



Click here for related information.



### Watertight roller

#### Characteristics:

- Very low friction coefficient.
- No liquid absorption.
- Excellent wear and chemical resistance.
- Completely closed structure.
- Watertight.

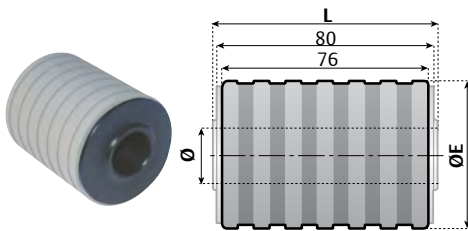
### Watertight roller

Material	Ø E	L	For rod				Item description	n° 50
			Ø 15	Ø 16	Ø 18	Ø 20		
PE Black	40	82,5	R-40B15ML83-PEB-S	R-40B16ML83-PEB-S	R-40B18ML83-PEB-S	R-40B20ML83-PEB-S	n° 50	
		84,5	R-40B15ML85-PEB-S	R-40B16ML85-PEB-S	R-40B18ML85-PEB-S	R-40B20ML85-PEB-S		
	50	82,5	R-50B15ML83-PEB-S	R-50B16ML83-PEB-S	R-50B18ML83-PEB-S	R-50B20ML83-PEB-S		
		84,5	R-50B15ML85-PEB-S	R-50B16ML85-PEB-S	R-50B18ML85-PEB-S	R-50B20ML85-PEB-S		
	60	82,5	R-60B15ML83-PEB-S	R-60B16ML83-PEB-S	R-60B18ML83-PEB-S	R-60B20ML83-PEB-S		
		84,5	R-60B15ML85-PEB-S	R-60B16ML85-PEB-S	R-60B18ML85-PEB-S	R-60B20ML85-PEB-S		



External diameter

**MOQ** Min. order quantity: 100 pcs.



### Watertight roller with rubber

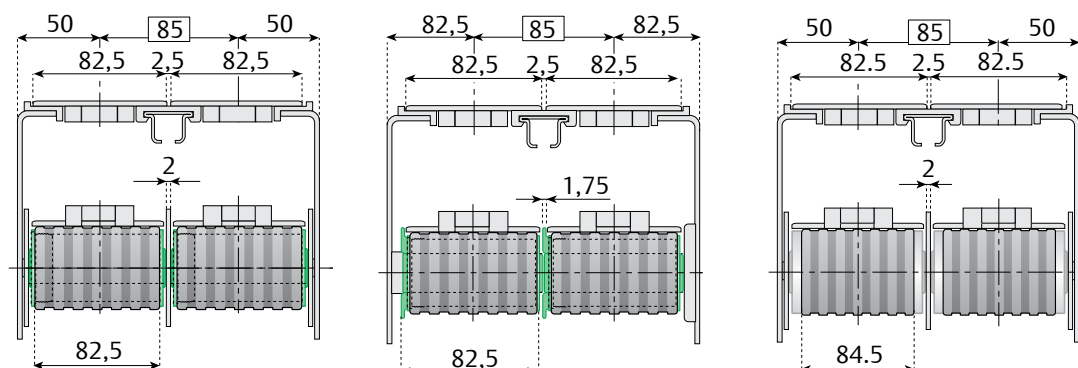
Material	Ø E	L	For rod				Item description	n° 50
			Ø 15	Ø 16	Ø 18	Ø 20		
PE Black	47	82,5	RR-47B15ML83-PEB-S	RR-47B16ML83-PEB-S	RR-47B18ML83-PEB-S	RR-47B20ML83-PEB-S	n° 50	
		84,5	RR-47B15ML85-PEB-S	RR-47B16ML85-PEB-S	RR-47B18ML85-PEB-S	RR-47B20ML85-PEB-S		
	57	82,5	RR-57B15ML83-PEB-S	RR-57B16ML83-PEB-S	RR-57B18ML83-PEB-S	RR-57B20ML83-PEB-S		
		84,5	RR-57B15ML85-PEB-S	RR-57B16ML85-PEB-S	RR-57B18ML85-PEB-S	RR-57B20ML85-PEB-S		
	67	82,5	RR-67B15ML83-PEB-S	RR-67B16ML83-PEB-S	RR-67B18ML83-PEB-S	RR-67B20ML83-PEB-S		
		84,5	RR-67B15ML85-PEB-S	RR-67B16ML85-PEB-S	RR-67B18ML85-PEB-S	RR-67B20ML85-PEB-S		



External diameter

Rubber Material: TPR

**MOQ** Min. order quantity: 100 pcs.



For flanges for return rollers, go to:

**5 1 0 9 0 a**

