

# PRODUCT INFORMATION PACKET



Model No: A4P17NZ125A

Catalog No: 103719.00

..1/2HP..1800RPM.48Y.TEAO.115/230V.1PH.60HZ.CONT.40C.1.0SF.YOKE.....FAN.....

Pedestal Fan



Regal and Leeson are trademarks of Regal Beloit Corporation or one of its affiliated companies.

©2018 Regal Beloit Corporation, All Rights Reserved. MC017097E





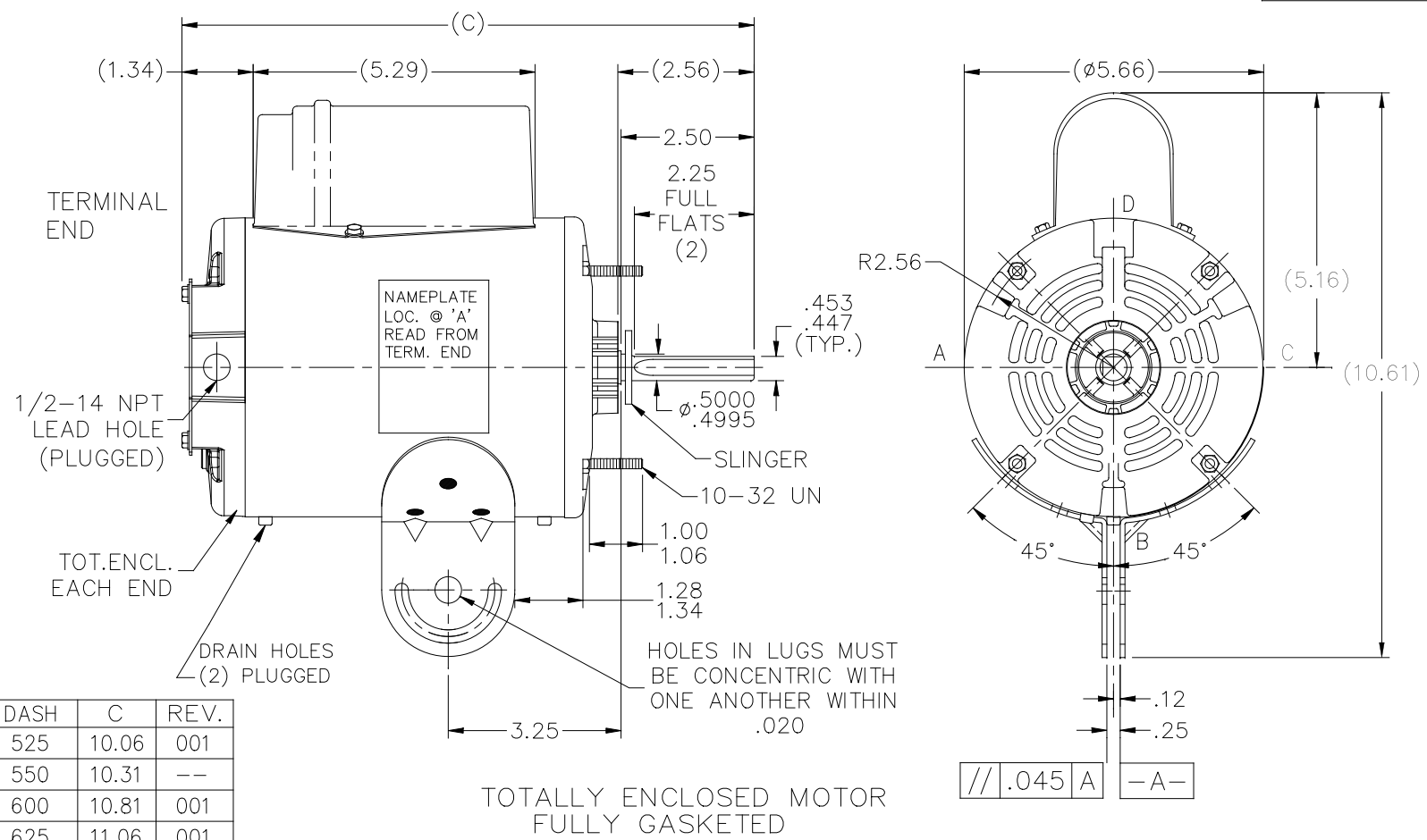
### Nameplate Specifications

Output HP	<b>0.50 Hp</b>	Output KW	<b>0.37 kW</b>
Frequency	<b>60 Hz</b>	Voltage	<b>115/230 V</b>
Current	<b>5.4/2.7 A</b>	Speed	<b>1625 rpm</b>
Service Factor	<b>1</b>	Phase	<b>1</b>
Efficiency	<b>72 %</b>	Duty	<b>Continuous</b>
Insulation Class	<b>B</b>	Design Code	<b>N</b>
KVA Code	<b>B</b>	Frame	<b>48Y</b>
Enclosure	<b>Totally Enclosed Air Over</b>	Overload Protector	<b>Automatic Lock Rotor Only</b>
Ambient Temperature	<b>40 °C</b>	Drive End Bearing Size	<b>203</b>
Opp Drive End Bearing Size	<b>203</b>	UL	<b>Recognized</b>
CSA	<b>Y</b>	CE	<b>N</b>
IP Code	<b>43</b>		

### Technical Specifications

Electrical Type	<b>Permanent Split Capacitor</b>	Starting Method	<b>Across The Line</b>
Poles	<b>4</b>	Rotation	<b>Selective Counterclockwise</b>
Mounting	<b>Round - Swing Arm</b>	Motor Orientation	<b>HORIZONTAL</b>
Drive End Bearing	<b>BALL</b>	Opp Drive End Bearing	<b>BALL</b>
Frame Material	<b>Rolled Steel</b>	Shaft Type	<b>Single Special Extension</b>
Overall Length	<b>11.06 in</b>	Frame Length	<b>6.25 in</b>
Shaft Diameter	<b>0.625 in</b>	Shaft Extension	<b>2.56 in</b>
Assembly/Box Mounting	<b>F1 ONLY</b>		
Outline Drawing	<b>A-SS403994LE-625</b>	Connection Diagram	<b>A-EE9057BA-LE</b>

SS403994LE

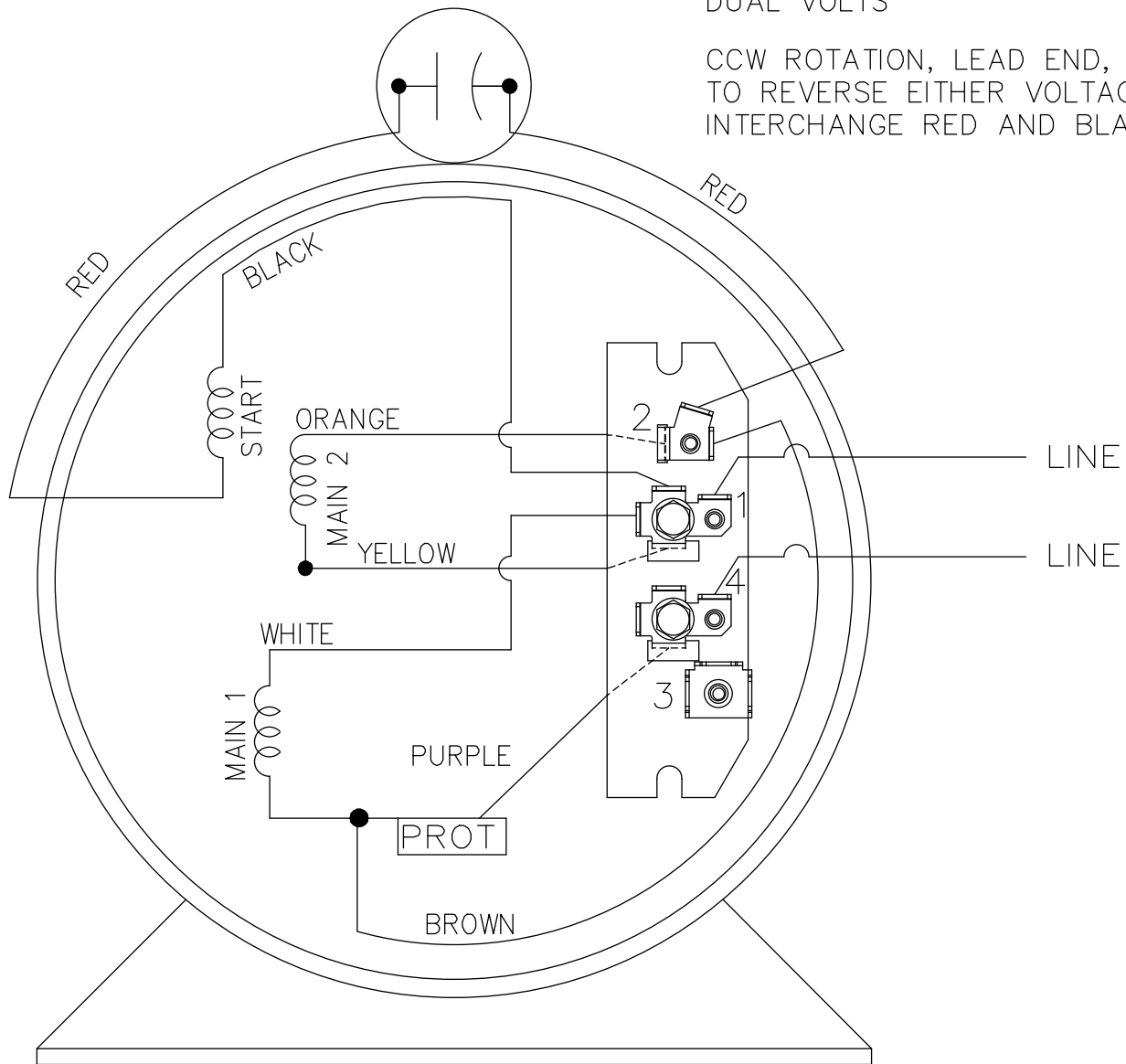


DASH	C	REV.
525	10.06	001
550	10.31	--
600	10.81	001
625	11.06	001

		TOLERANCES UNLESS SPECIFIED		LEESON	ELECTRIC MOTORS GEARMOTORS AND DRIVES	DRAWN SVL 1-7-2012	
		DEC.	INCHES			CHK	APPD SVL 1-7-2012
		.X	±		TITLE OUTLINE 48 FR.	REF SS403014	
		.XX	±.03		MAT'L.	FMF MU111579	
		.XXX	±.005			PREV	
D	1.00/1.06 WAS .94/1.00 ECO 0107818	GWS	8/16/16	.XXXX	±.0005		
NO.	REVISION	BY & DATE	CHK	ANG	±'30"		
THIS DRAWING IN DESIGN AND DETAIL IS OUR PROPERTY AND MUST NOT BE USED EXCEPT IN CONNECTION WITH OUR WORK ALL RIGHTS OF DESIGN AND INVENTION ARE RESERVED THIS IS AN ELECTRONICALLY GENERATED DOCUMENT - DO NOT SCALE THIS PRINT				RFP	1-7-2012	CAD FILE	SS403994LE
				DIST	WP	SIZE	A
				DRAWING NO.		PAGE	1 OF 1
				REV.		SS403994LE	D

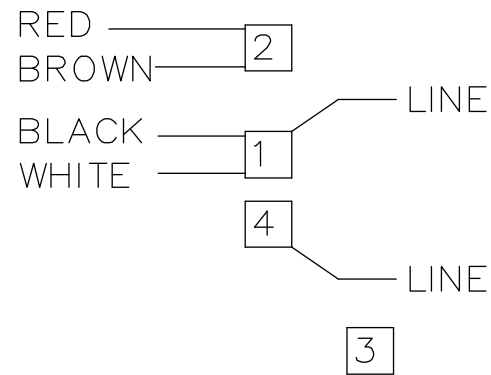
DUAL VOLTS

CCW ROTATION, LEAD END, SHOWN  
TO REVERSE EITHER VOLTAGE  
INTERCHANGE RED AND BLACK LEADS.

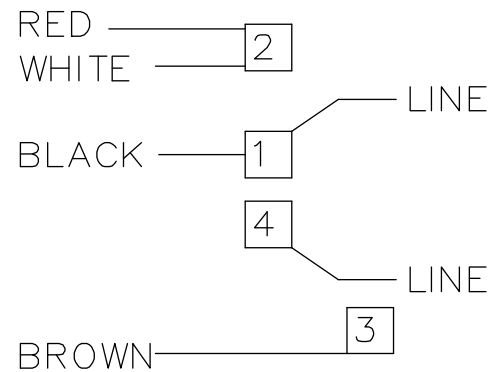



VIEW OF TERMINAL END

LOW VOLTAGE



HIGH VOLTAGE



				TOLERANCES UNLESS SPECIFIED			ELECTRIC MOTORS GEARMOTORS AND DRIVES	DRAWN PVR 11/16/12		
				DEC.	INCHES			CHK RD 11/16/12		
				.X	± -			APPD		
				.XX	± -			SCALE 1=1		
				.XXX	± -			REF EE9057T		
				.XXXX	± -	MAT'L.		FMF MU110993		
NO.	REVISION	BY & DATE	CHK	ANG	± -	FINISH		PREV PR121931		
THIS DRAWING IN DESIGN AND DETAIL IS OUR PROPERTY AND MUST NOT BE USED EXCEPT IN CONNECTION WITH OUR WORK ALL RIGHTS OF DESIGN AND INVENTION ARE RESERVED THIS IS AN ELECTRONICALLY GENERATED DOCUMENT - DO NOT SCALE THIS PRINT				RFP		CAD FILE EE9057BA-LE	SIZE	DRAWING NO.	PAGE OF	REV.
				DIST	WP		A	EE9057BA-LE		

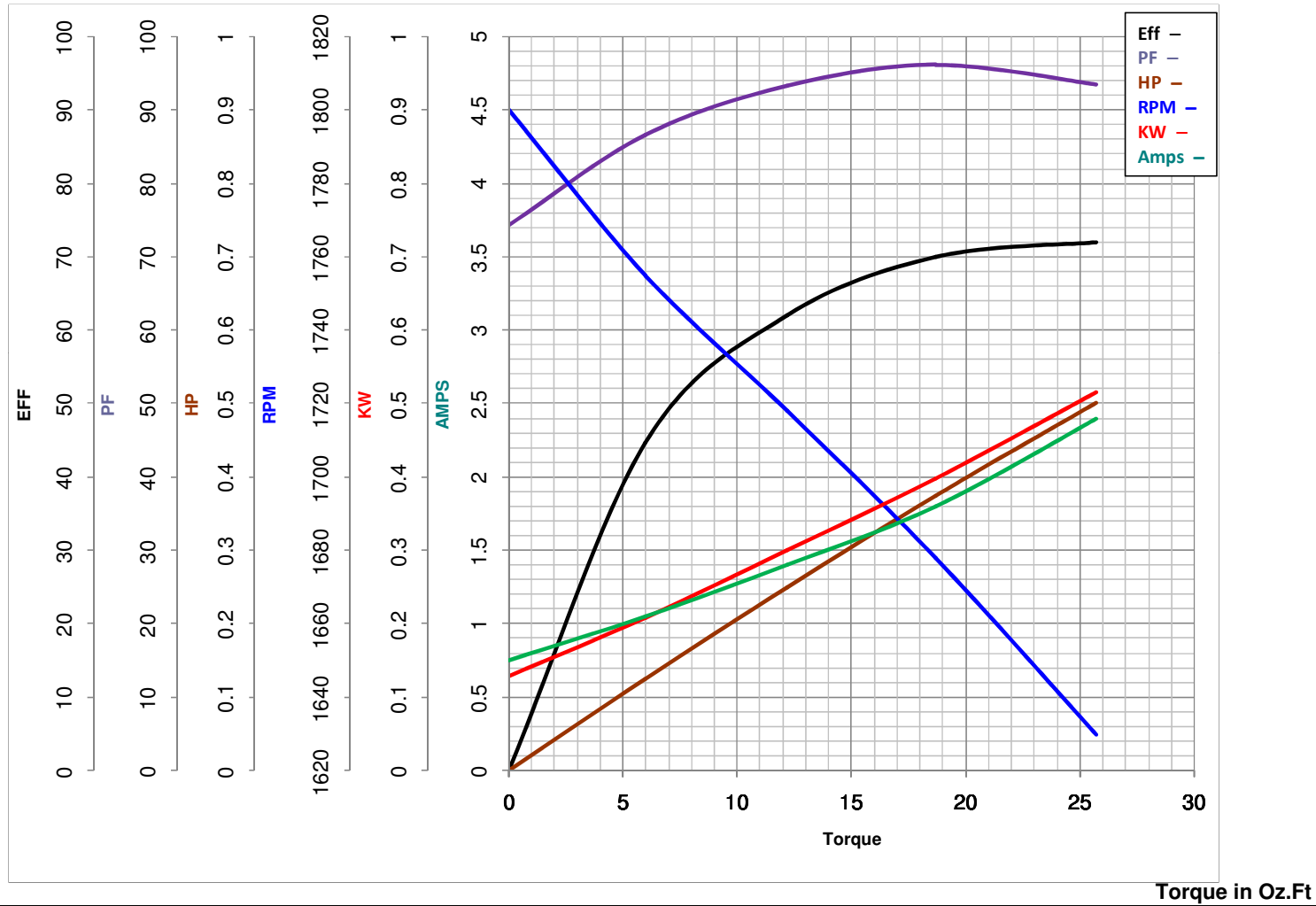


**LEESON ELECTRIC CORPORATION**  
TYPICAL PERFORMANCE CURVE for AC MOTOR

Model No 103719.00

Catalog No 103719.00

Curve at 230 Volts HP 0.50 PHASE 1  
60 HZ  
0.5 HP VOLTS 115/230  
 HZ 60 RPM 1625



FL TORQUE	<u>25.7</u>	Oz.Ft	FL AMPS	<u>5.4/2.7</u>	
BD TORQUE	<u>46.1</u>	Oz.Ft	PU TORQUE	<u>16.4</u>	Oz.Ft
LR TORQUE	<u>17.8</u>	Oz.Ft	LR AMPS	<u>7.74</u>	
WINDING	PE484278-3		Date	<u>3/13/2018</u>	