

PRODUCT INFORMATION PACKET



Model No: A4P17NZ126A

Catalog No: 103720.00

..1/2HP..1800RPM.48Y.TEAO.115/230V.1PH.60HZ.CONT.40C.1.0SF.YOKE.....FAN.....

Pedestal Fan



Regal and Leeson are trademarks of Regal Beloit Corporation or one of its affiliated companies.

©2018 Regal Beloit Corporation, All Rights Reserved. MC017097E





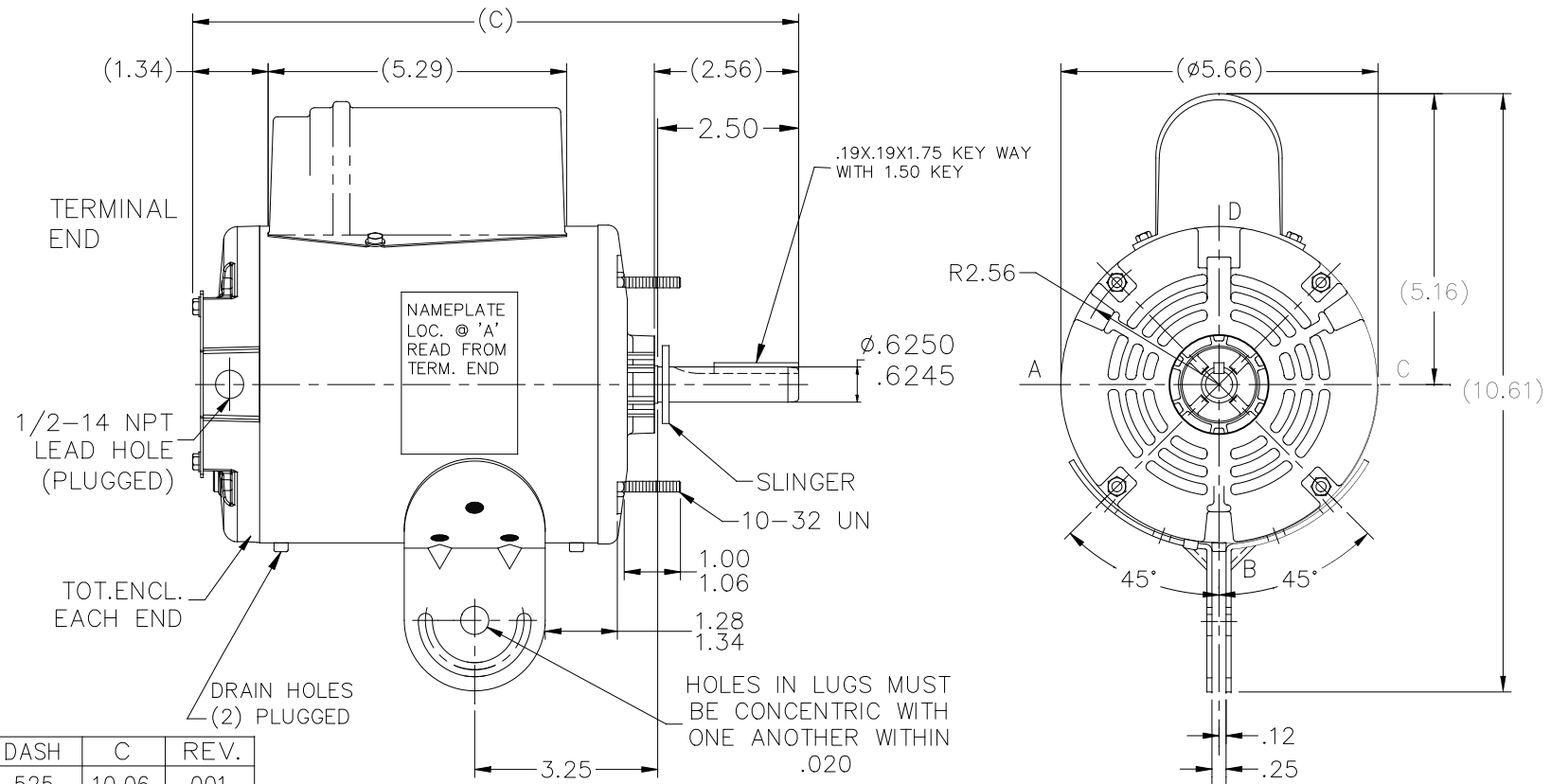
Nameplate Specifications

Output HP	0.50 Hp	Output KW	0.37 kW
Frequency	60 Hz	Voltage	115/230 V
Current	5.4/2.7 A	Speed	1625 rpm
Service Factor	1	Phase	1
Efficiency	72 %	Duty	Continuous
Insulation Class	B	Design Code	N
KVA Code	B	Frame	48Y
Enclosure	Totally Enclosed Air Over	Overload Protector	Automatic Lock Rotor Only
Ambient Temperature	40 °C	Drive End Bearing Size	6203
Opp Drive End Bearing Size	6203	UL	Recognized
CSA	Y	CE	N
IP Code	43		

Technical Specifications

Electrical Type	Permanent Split Capacitor	Starting Method	Across The Line
Poles	4	Rotation	Selective Counterclockwise
Mounting	Round - Swing Arm	Motor Orientation	HORIZONTAL
Drive End Bearing	BALL	Opp Drive End Bearing	BALL
Frame Material	Rolled Steel	Shaft Type	Single Special Extension
Overall Length	11.06 in	Frame Length	6.25 in
Shaft Diameter	0.625 in	Shaft Extension	2.56 in
Assembly/Box Mounting	F1 ONLY		
Outline Drawing	A-SS403995LE-625	Connection Diagram	A-EE9057BA-LE

SS403995LE



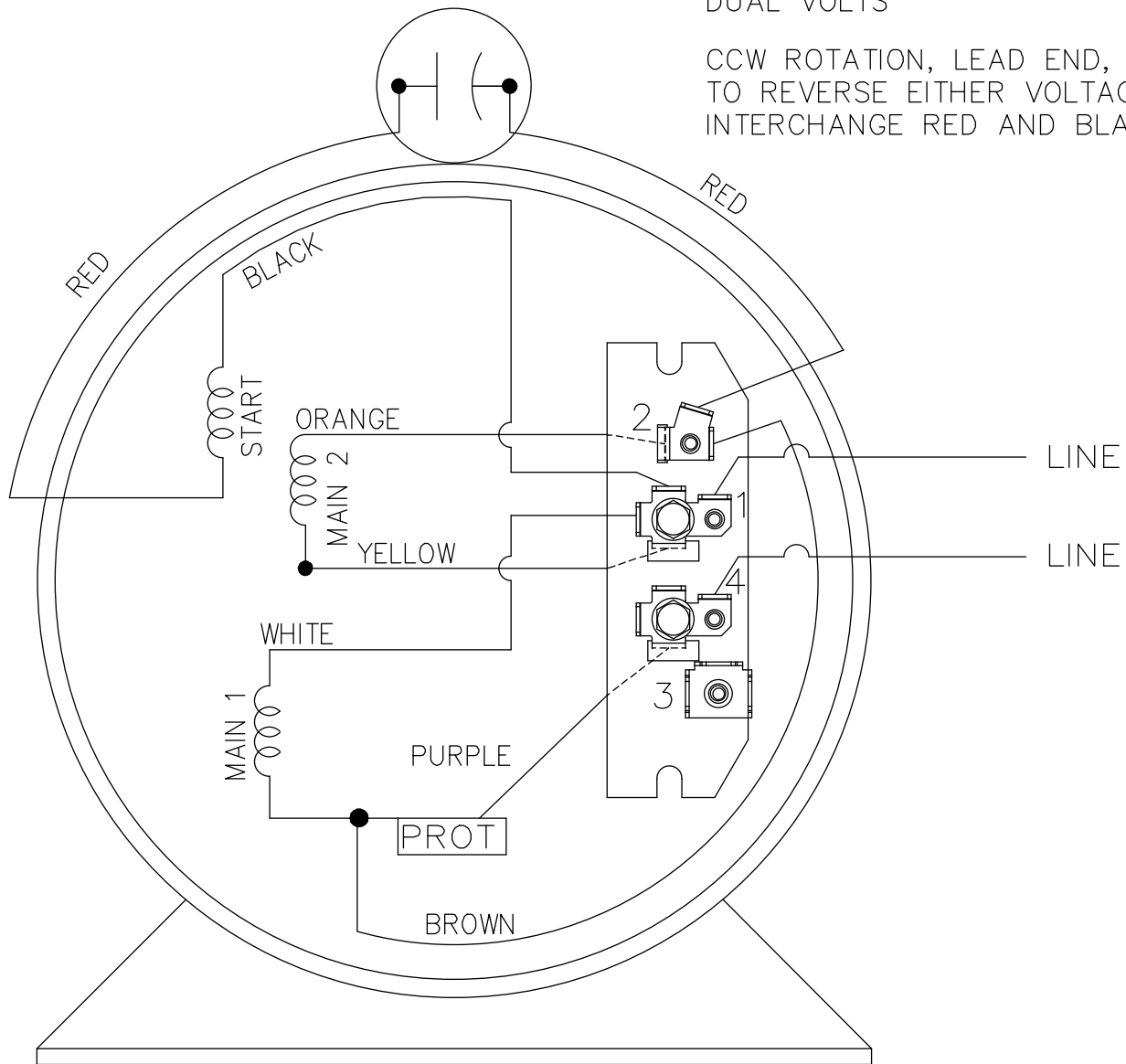
TOTALLY ENCLOSED MOTOR
FULLY GASKETED

DASH	C	REV.
525	10.06	001
550	10.31	--
600	10.81	001
625	11.06	001

TOLERANCES UNLESS SPECIFIED		DEC.		INCHES		LEESON	ELECTRIC MOTORS GEARMOTORS AND DRIVES	DRAWN SVL 1-11-2012			
		.X		±		TITLE OUTLINE 48 FR.	SCALE 3=8	CHK			
		.XX		±.03				APPD SVL 1-11-2012			
		.XXX		±.005				REF SS403994LE			
		.XXXX		±.0005				FMF MU111579			
C	1.00/1.06 WAS .94/1.00 ECR 0107818	GWS	8/16/16	CHK	ANG	±'30"	FINISH	PREV			
NO.	REVISION	BY & DATE	CHK	ANG	±'30"	FINISH	SIZE	DRAWING NO. PAGE 1 OF 1 REV.			
THIS DRAWING IN DESIGN AND DETAIL IS OUR PROPERTY AND MUST NOT BE USED EXCEPT IN CONNECTION WITH OUR WORK ALL RIGHTS OF DESIGN AND INVENTION ARE RESERVED THIS IS AN ELECTRONICALLY GENERATED DOCUMENT - DO NOT SCALE THIS PRINT							RFP 1-11-2012	CAD FILE SS403995LE	A	SS403995LE	C
							DIST WP				

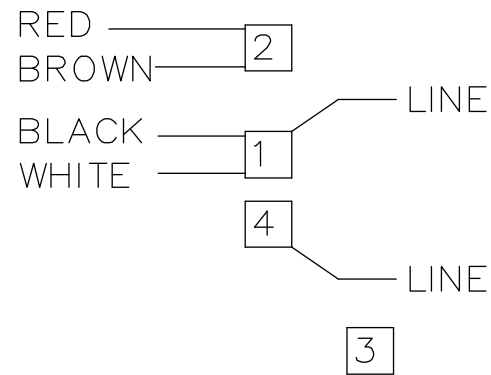
DUAL VOLTS

CCW ROTATION, LEAD END, SHOWN
TO REVERSE EITHER VOLTAGE
INTERCHANGE RED AND BLACK LEADS.

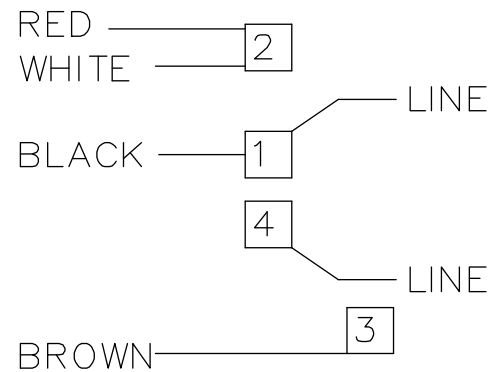



VIEW OF TERMINAL END

LOW VOLTAGE



HIGH VOLTAGE



				TOLERANCES UNLESS SPECIFIED			ELECTRIC MOTORS GEARMOTORS AND DRIVES		DRAWN PVR 11/16/12		
				DEC.	INCHES				CHK RD 11/16/12		
				.X	± -				APPD		
				.XX	± -		TITLE CONNECTION DIAGRAM		SCALE 1=1		
				.XXX	± -				REF EE9057T		
				.XXXX	± -	MAT'L.		FMF MU110993			
NO.	REVISION	BY & DATE	CHK	ANG	± -	FINISH	PREV PR121931				
THIS DRAWING IN DESIGN AND DETAIL IS OUR PROPERTY AND MUST NOT BE USED EXCEPT IN CONNECTION WITH OUR WORK ALL RIGHTS OF DESIGN AND INVENTION ARE RESERVED THIS IS AN ELECTRONICALLY GENERATED DOCUMENT - DO NOT SCALE THIS PRINT				RFP	CAD FILE EE9057BA-LE		SIZE	DRAWING NO.	PAGE	OF	REV.
				DIST	WP			A	EE9057BA-LE		

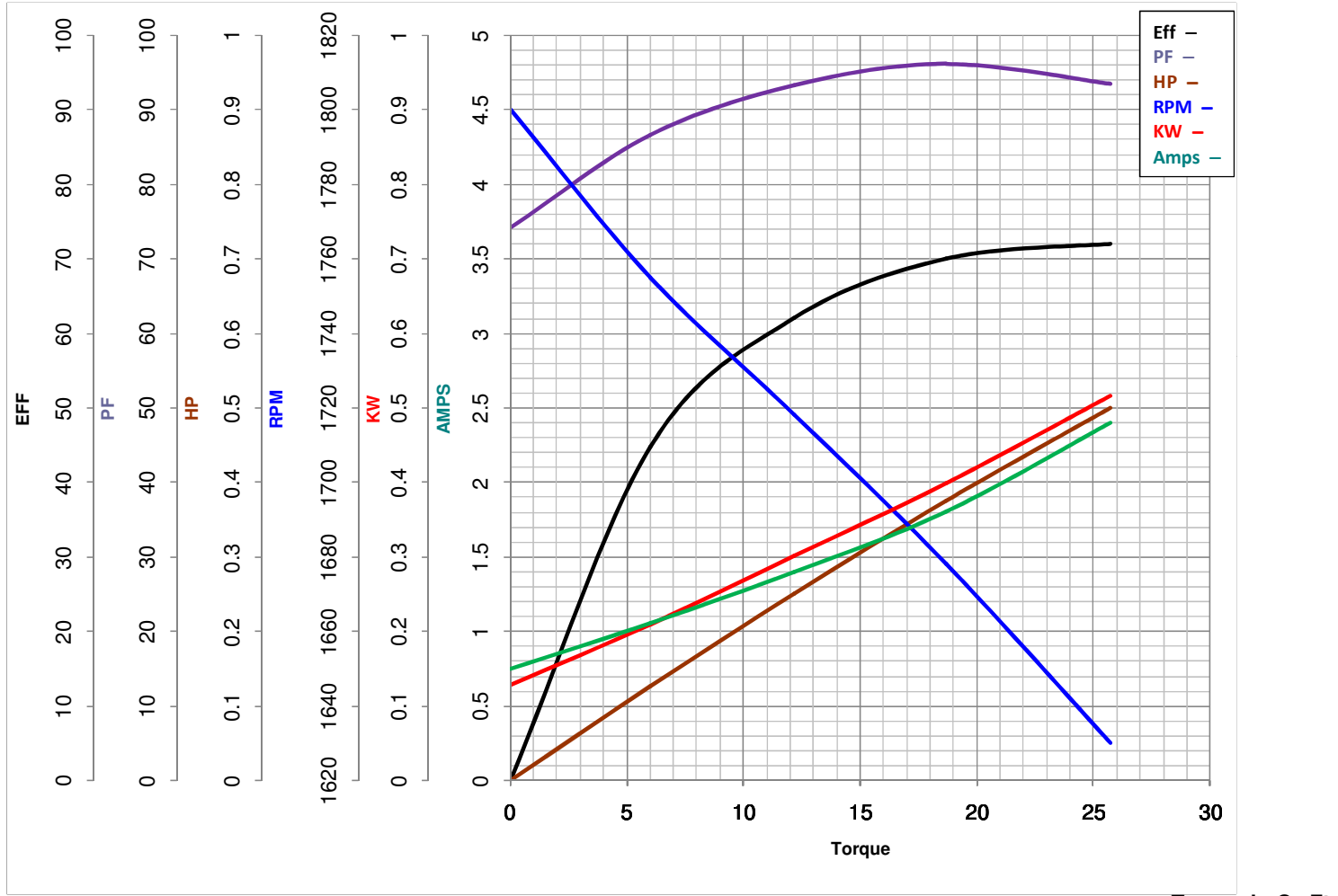


LEESON ELECTRIC CORPORATION
TYPICAL PERFORMANCE CURVE for AC MOTOR

Model No 103720.00

Catalog No 103720.00

Curve at 230 Volts HP 0.50 PHASE 1
60 HZ
0.5 HP VOLTS 115/230
HZ 60 RPM 1625



FL TORQUE	<u>25.7</u>	Oz.Ft	FL AMPS	<u>5.4/2.7</u>	
BD TORQUE	<u>46.1</u>	Oz.Ft	PU TORQUE	<u>16.4</u>	Oz.Ft
LR TORQUE	<u>17.8</u>	Oz.Ft	LR AMPS	<u>7.74</u>	
WINDING	PE484278-3		Date	<u>5/18/2018</u>	