

PRODUCT INFORMATION PACKET



Model No: C6T17XC30A

Catalog No: 117853.00

..3/4HP..1800RPM.56C.EPFC.230/460V.3PH.60HZ.CONT.40C.1.0SF.C-FACE.....EX-PROOF.....

Explosion Proof



Regal and Leeson are trademarks of Regal Beloit Corporation or one of its affiliated companies.

©2018 Regal Beloit Corporation, All Rights Reserved. MC017097E





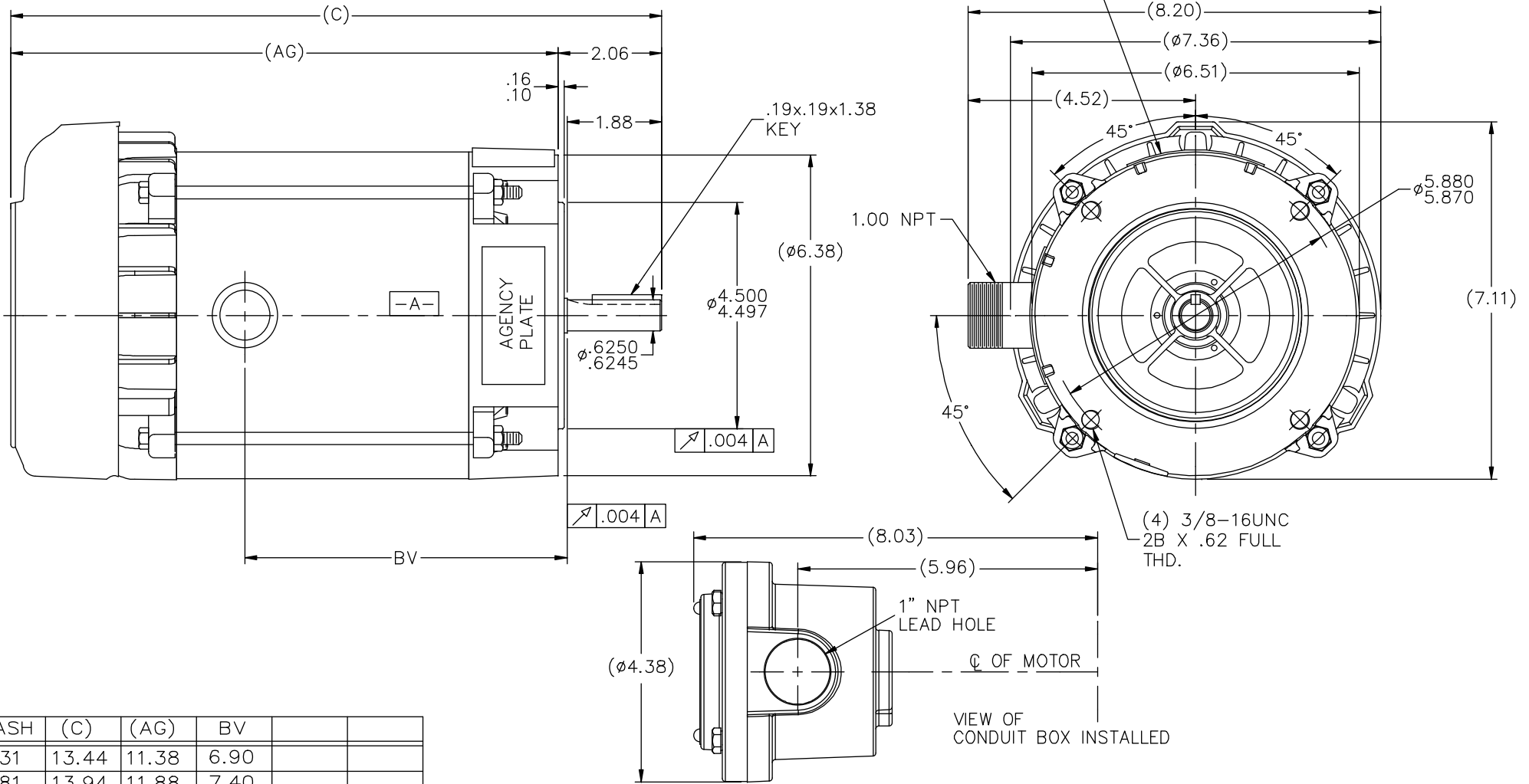
Nameplate Specifications

Output HP	0.75 Hp	Output KW	0.56 kW
Frequency	60 Hz	Voltage	208-230/460 V
Current	2.9-3.0/1.5 A	Speed	1725 rpm
Service Factor	1	Phase	3
Efficiency	75.5 %	Duty	Continuous
Insulation Class	B	Design Code	B
KVA Code	L	Frame	56C
Enclosure	Explosion Proof Fan cooled	Overload Protector	No
Ambient Temperature	40 °C	Drive End Bearing Size	6203
Opp Drive End Bearing Size	6203	UL	Recognized
CSA	Y	CE	N
IP Code	54		

Technical Specifications

Electrical Type	Squirrel Cage Inverter Rated	Starting Method	Line Or Inverter
Poles	4	Rotation	Reversible
Mounting	Round	Motor Orientation	HORIZONTAL
Drive End Bearing	BALL	Opp Drive End Bearing	BALL
Frame Material	Rolled Steel	Shaft Type	NEMA 56
Overall Length	13.94 in	Frame Length	6.81 in
Shaft Diameter	0.625 in	Shaft Extension	1.88 in
Assembly/Box Mounting	F1 ONLY		
Outline Drawing	B-104188LE-681	Connection Diagram	A-EE7308T-LE

NAMEPLATES TO BE READ FROM SHAFT EXT. END.

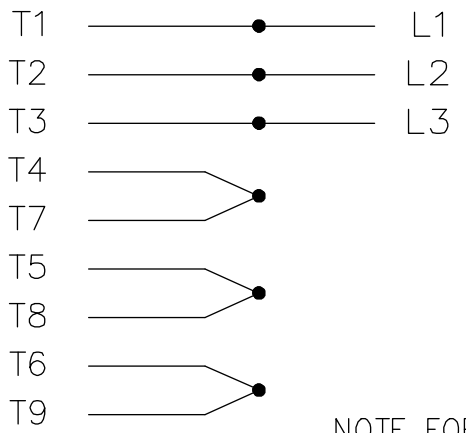


DASH	(C)	(AG)	BV		
631	13.44	11.38	6.90		
681	13.94	11.88	7.40		
731	14.44	12.38	7.90		
781	14.94	12.88	8.40		
831	15.44	13.38	8.90		
881	15.94	13.88	9.40		
931	16.44	14.38	9.90		
981	16.94	14.88	10.40		

		TOLERANCES UNLESS SPECIFIED		LEESON		ELECTRIC MOTORS GEARMOTORS AND DRIVES		DRAWN RJW 06-22-2007	
		DEC.	INCHES					CHK	ML 06-22-2007
		.X	±.1					APPD	GK 06-22-2007
		.XX	±.03	TITLE		OUTLINE - 'C' FACE		SCALE	17=32
		.XXX	±.005			56 FR. - EXP. PR.		REF	
01	COND. BOX INSTALLED VIEW UPDATED PER ECR-0044571	UD	10/10/13	ST	.XXXX	±.0005	MAT'L.	FMF	
NO.	REVISION	BY & DATE		CHK	ANG	±7'30"	FINISH	PREV	
THIS DRAWING IN DESIGN AND DETAIL IS OUR PROPERTY AND MUST NOT BE USED EXCEPT IN CONNECTION WITH OUR WORK ALL RIGHTS OF DESIGN AND INVENTION ARE RESERVED THIS IS AN ELECTRONICALLY GENERATED DOCUMENT - DO NOT SCALE THIS PRINT				RFP	06-22-2007	CAD FILE	104188LE	SIZE	DRAWING NO. PAGE OF REV.
				DIST	WP			B	104188LE 01

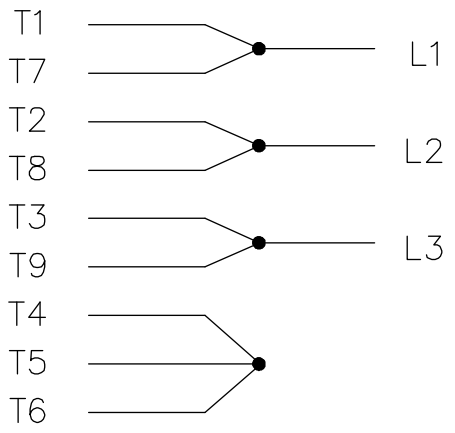
THREE PHASE
DUAL VOLTAGE MOTOR

HIGH VOLTAGE

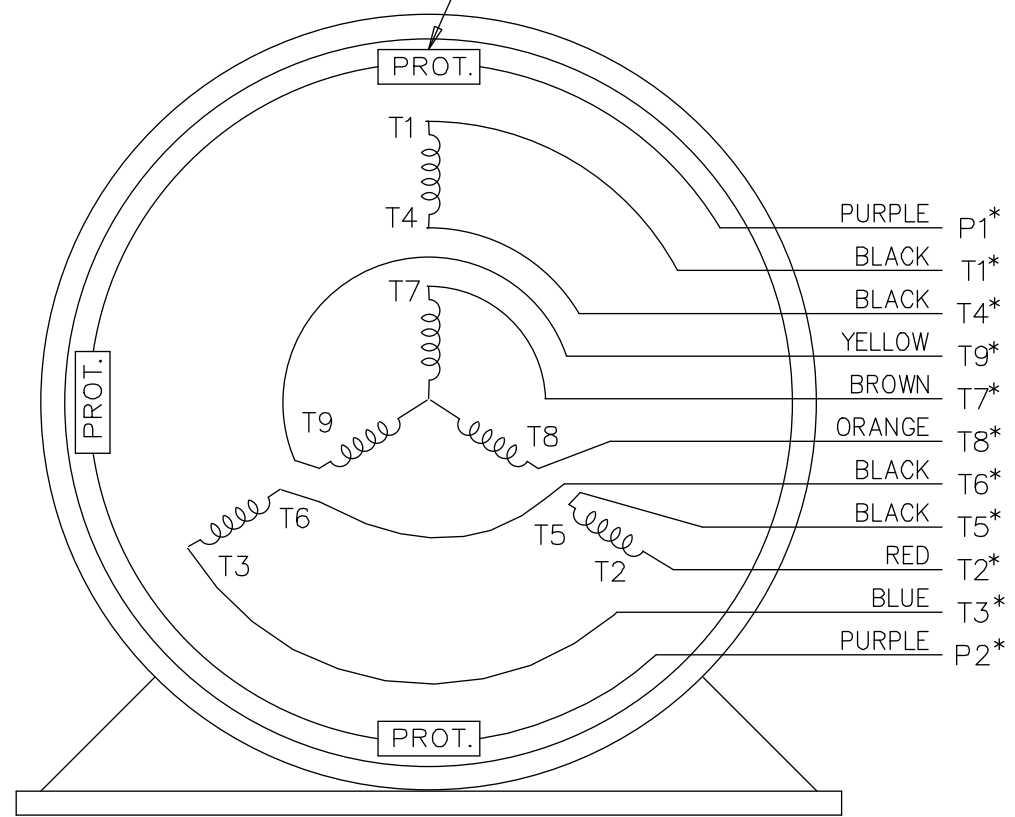


NOTE FOR FACTORY USE ONLY:
 TO SURGE TEST FOR COMMON CONNECT:
 HIGH VOLT: CONNECT P1 TO T1
 THEN P2 TO L1
 LOW VOLT: CONNECT P1 TO T1 & T7,
 THEN P2 TO L1

LOW VOLTAGE



THREMO-PROTECTORS
CONNECTED IN SERIES.



VIEW OF TERMINAL END

* USE LEADS AS PER PLANT STANDARD IRRWSPECTIVE OF THEIR COLOUR.

NO.	REVISION	BY & DATE	CHK	ANG	TOLERANCES UNLESS SPECIFIED		FINISH	DRAWING NO.	PAGE OF	REV.	
					DEC.	INCHES					
05	ADDED * NOTE PER ECN # 26921	UD 01-30-2013	JD	DEC.	INCHES						
04	ADDED COLORS TO "T & P" LEADS CN 40494	MSG 08-08-2006	ML	.X	±.1						
03	RE-ISSUE	NJS 04-21-2004	JET	.XX	±.02						
02	REDRAWN	TAT 04-20-2004	ML	.XXX	±.005						
01	NEW DRAWING CN 34708	TJB 05-08-2002	ML	.XXXX	±.0005						
THIS DRAWING IN DESIGN AND DETAIL IS OUR PROPERTY AND MUST NOT BE USED EXCEPT IN CONNECTION WITH OUR WORK ALL RIGHTS OF DESIGN AND INVENTION ARE RESERVED THIS IS AN ELECTRONICALLY GENERATED DOCUMENT - DO NOT SCALE THIS PRINT							RFP	CAD FILE EE7308T_LE	SIZE A	DRAWING NO. EE7308T-LE	PAGE OF 05
							DIST LB-WP-LE				



ELECTRIC MOTORS
GEARMOTORS
AND DRIVES

TITLE CONNECTION DIAGRAM
3 PHASE - DUAL VOLTAGE MOTOR

DRAWN	TJB	05-07-2002
CHK	ML	05-08-2002
APPD	TB	05-08-2002
SCALE	1=1	
REF		
FMF		
PREV		



P.O. BOX 8003
WAUSAU, WI 54401-8003
PH. 715-675-3311

DATA VOLTS: 460

CERTIFICATION DATA SHEET

CONN. DIAGRAM: A-EET7308T-LE
OUTLINE: B-104188LE-681
WINDING: ZT411

R11 3

CAT #: 117853.00

TYPICAL MOTOR PERFORMANCE DATA

HP	KW	SYNC RPM	FL RPM	FRAME	ENCLOSURE	TYPE	KVA CODE	DESIGN				
0.75	0.56	1800	1725	56C	EPFC	TFR	L	B				
PH	HZ	VOLTS	AMPS	START TYPE	DUTY	INSL	S.F.	AMB	ELEV.			
3	60/50	208-230/460#190/380	2.9-3/1.5&2.7/1.35	ACROSS THE LINE	CONT	B	1.15	40	3300			
	F.L. EFF	75.5	3/4 LD EFF	74.5	1/2 LD EFF	71.0	GTD EFF		ELECT. TYPE			
	F.L. PF	66.3	3/4 LD PF	57.0	1/2 LD PF	45.5	72.0		SO CAGE IND RUN			
F.L. TORQUE	LR AMPS @ 460 V	9.3	8.2	LB-FT	360%	10.0	LB-FT	439%	F.L. RISE (°C)			
2.28	LB-FT								35			
PRESSURE @ 3	POWER	ROTOR WK²	MAX. LOAD WK²	SAFE STALL TIME	STARTS/HOUR	MOTOR WGT						
62	DBA	71	DBA	0.07	LB-FT²	5	LB-FT²	12	SEC.	2	25	LB.

*** SUPPLEMENTAL INFORMATION ***

DE BRACKET TYPE	ODE BRACKET TYPE	MOUNT TYPE	MOTOR ORIENTATION	SEVERE DUTY	HAZARDOUS LOCATION	DRIIP COVER	SCREENS	PAINT
C-FACE	STANDARD	ROUND	HORIZONTAL	NO	DEF CL I GR C&D CL II GR	NO	NONE	JE - LEESON (ENAM)
BEARINGS DE	GREASE	SHAFT TYPE	SPECIAL DE	SPECIAL ODE	SHAFT MATERIAL	FRAME MATERIAL		
BALL BALL 6203	POLYREX EM	STANDARD 56	NONE		1144 STRESSPROOF (C-223)	ROLLED STEEL		
THERMOSTATS TSTATS (N/C)	PROTECTORS	WDG RTD's	BRG RTD's	THERMISTORS	CONTROL	SPACE HEATERS		
	NOT	NONE	NONE	NONE	FALSE	NA		
R1 (ohms/ph)	R2 (ohms/ph)	X1 (ohms/ph)	X2 (ohms/ph)	Xm (ohms/ph)	VIBRATION (in/sec)	FLOAT ODE		
0	0	0	0	0	0.150			

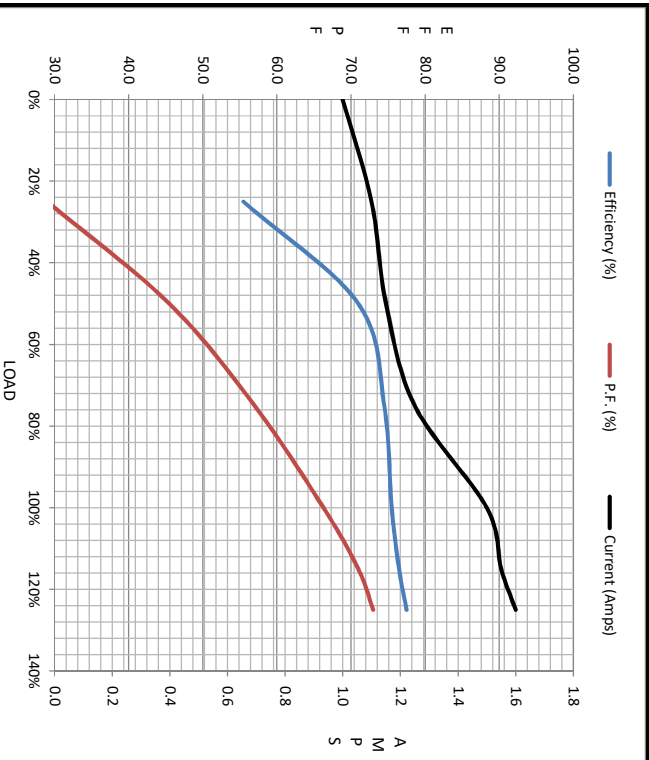
* INVERTER TORQUE: NONE	
* INV. HP SPEED RANGE: NONE	
ENCODER: NONE	
BRAKE: NONE	
FT-LB: NONE	
VOLTAGE: NONE	
UL: Y-(LEESON UL REC)	

DATE: 1/23/2018	INVERTER TORQUE: NONE
	INV. HP SPEED RANGE: NONE
	ENCODER: NONE
	BRAKE: NONE
	FT-LB: NONE
	VOLTAGE: NONE
	UL: Y-(LEESON UL REC)



Motor Load Data						
Load	0%	25%	50%	75%	100%	LR
Current (Amps)	1.00	1.10	1.15	1.25	1.50	9.3
Torque (ft-lb)	0.00	0.52	1.10	1.70	2.28	8.2
RPM	1800	1785	1770	1750	1725	0
Efficiency (%)		55.5	71.0	74.5	75.5	
P.F. (%)	11.5	29.0	45.5	57.0	66.3	75.0

Motor Speed Data						Information Block																					
	LR	Pull-Up	BD	Rated	Idle	HP	Sync. RPM	Frame	Enclosure	Construction	Voltage	Frequency	Design	LR Code letter	Service Factor	Temp Rise @ FL	Duty	Ambient	Elevation	Rotor/Shaft wk ²	Ref Wdg	Sound Pressure @ 1M	VFD Rating	Outline Dwg	Conn. Diag	Additional Specifications:	
Speed (RPM)	0	750	1230	1725	1800	0.8	1800	56	EPFC	TFR	208-230/460#190/380	60	B	L	1.15	35	CONT	40	1,000	Z1411 R11		62	NONE	B-104180LE-081	A-EE7308T-1E		
Current (Amps)	9.3	8.4	6.0	1.50	1.00						V	Hz			°C			°C	feet	LB-Ft ²	dB(A)						
Torque (ft-lb)	8.2	7.4	10.0	2.28	0.00																						



	R1	R2	X1	X2	Xm
EQUIV CKT (OHMS / PHASE)	0.0000	0.0000	0.0000	0.0000	0.0000

