

# PRODUCT INFORMATION PACKET



Model No: C6T17EC30A

Catalog No: 117860.00

..1/3HP..1800RPM.56C.EPNV.230/460V.3PH.60HZ.CONT.40C.1.0SF.C-FACE.....EX-PROOF.....

Explosion Proof



Regal and Leeson are trademarks of Regal Beloit Corporation or one of its affiliated companies.

©2018 Regal Beloit Corporation, All Rights Reserved. MC017097E



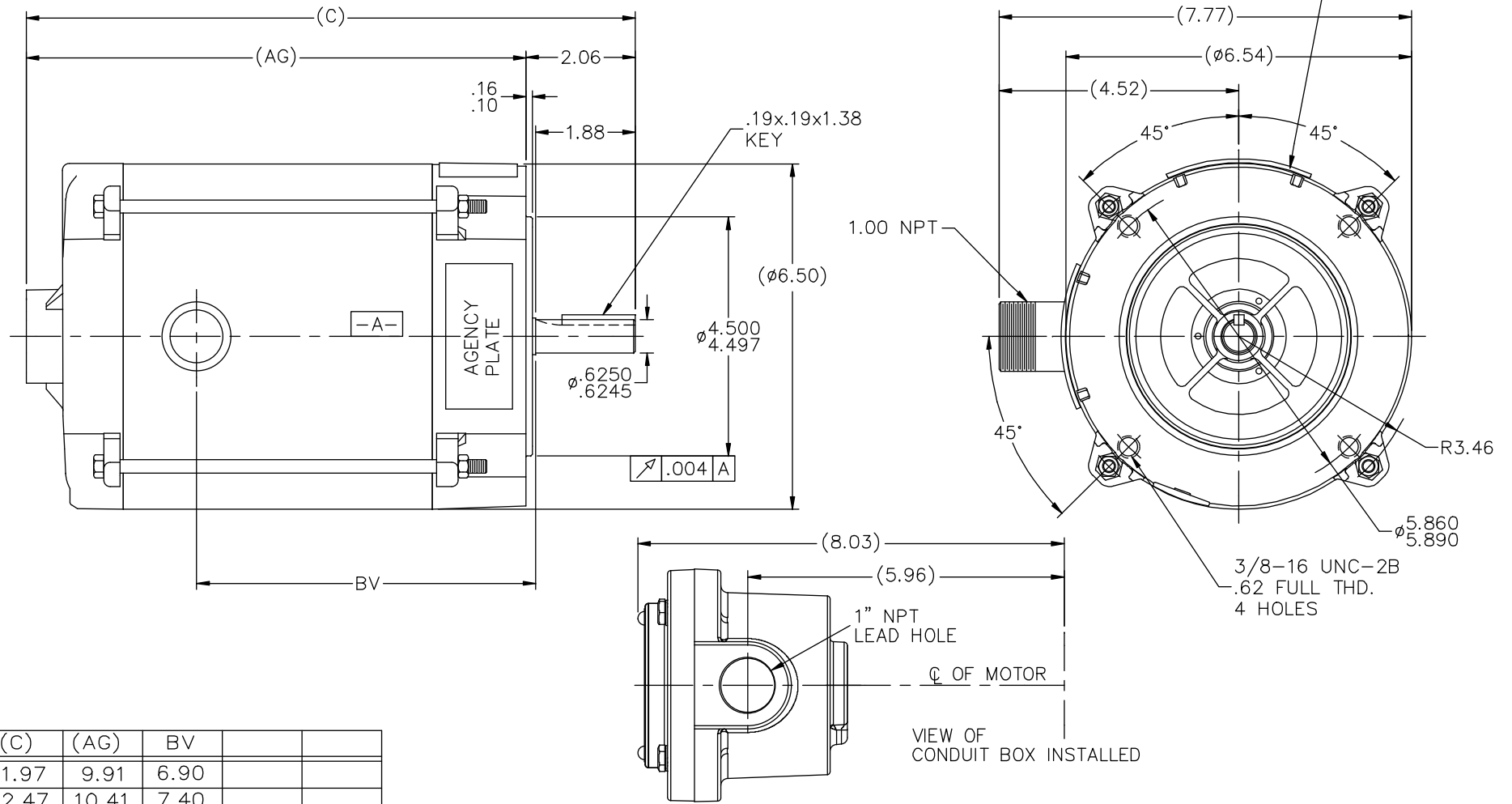


### Nameplate Specifications

Output HP	<b>0.33 Hp</b>	Output KW	<b>0.25 kW</b>
Frequency	<b>60 Hz</b>	Voltage	<b>208-230/460 V</b>
Current	<b>1.2-1.2/0.60 A</b>	Speed	<b>1725 rpm</b>
Service Factor	<b>1</b>	Phase	<b>3</b>
Efficiency	<b>74.5 %</b>	Duty	<b>Continuous</b>
Insulation Class	<b>B</b>	Design Code	<b>B</b>
KVA Code	<b>K</b>	Frame	<b>56C</b>
Enclosure	<b>Explosion Proof Non Ventilated</b>	Overload Protector	<b>No</b>
Ambient Temperature	<b>40 °C</b>	Drive End Bearing Size	<b>6203</b>
Opp Drive End Bearing Size	<b>6203</b>	UL	<b>Recognized</b>
CSA	<b>Y</b>	CE	<b>N</b>
IP Code	<b>54</b>		

### Technical Specifications

Electrical Type	<b>Squirrel Cage Inverter Rated</b>	Starting Method	<b>Line Or Inverter</b>
Poles	<b>4</b>	Rotation	<b>Reversible</b>
Mounting	<b>Round</b>	Motor Orientation	<b>HORIZONTAL</b>
Drive End Bearing	<b>BALL</b>	Opp Drive End Bearing	<b>BALL</b>
Frame Material	<b>Rolled Steel</b>	Shaft Type	<b>NEMA 56</b>
Overall Length	<b>11.97 in</b>	Frame Length	<b>6.31 in</b>
Shaft Diameter	<b>0.625 in</b>	Shaft Extension	<b>1.88 in</b>
Assembly/Box Mounting	<b>F1 ONLY</b>		
Outline Drawing	<b>B-104197LE-631</b>	Connection Diagram	<b>A-EE7308T-LE</b>

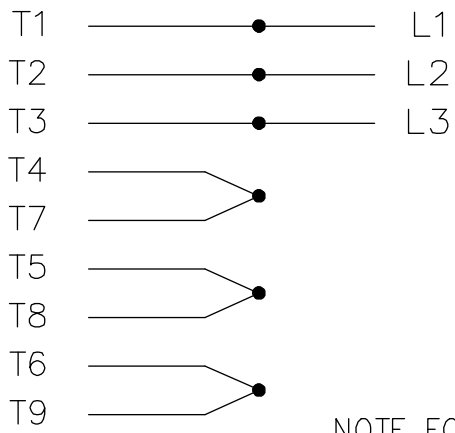


DASH	(C)	(AG)	BV
631	11.97	9.91	6.90
681	12.47	10.41	7.40
731	12.97	10.91	7.90
781	13.47	11.41	8.40
831	13.97	11.91	8.90
881	14.47	12.41	9.40
931	14.97	12.91	9.90
981	15.47	13.41	10.40

		TOLERANCES UNLESS SPECIFIED		LEESON	ELECTRIC MOTORS GEARMOTORS AND DRIVES	DRAWN RJW 06-22-2007	
DEC.	INCHES	CHK	ML				
.X	±.1	APPD	GK 06-22-2007	TITLE OUTLINE - 'C' FACE 56 FR. - EXP. PR.		SCALE 17=32	
.XX	±.03	REF					
.XXX	±.005	MATERIAL		REV		PREV	
.XXXX	±.0005	FINISH		RFP 06-22-2007		CAD FILE 104197LE	
CHK ANG	±7°30'	DIST WP		SIZE B		DRAWING NO. 104197LE	
THIS DRAWING IN DESIGN AND DETAIL IS OUR PROPERTY AND MUST NOT BE USED EXCEPT IN CONNECTION WITH OUR WORK ALL RIGHTS OF DESIGN AND INVENTION ARE RESERVED THIS IS AN ELECTRONICALLY GENERATED DOCUMENT - DO NOT SCALE THIS PRINT				PAGE OF		REV. 02	

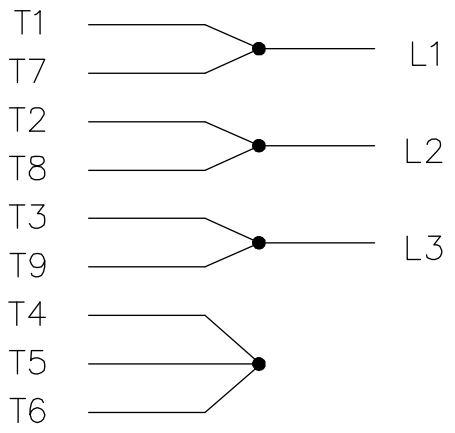
THREE PHASE  
DUAL VOLTAGE MOTOR

HIGH VOLTAGE

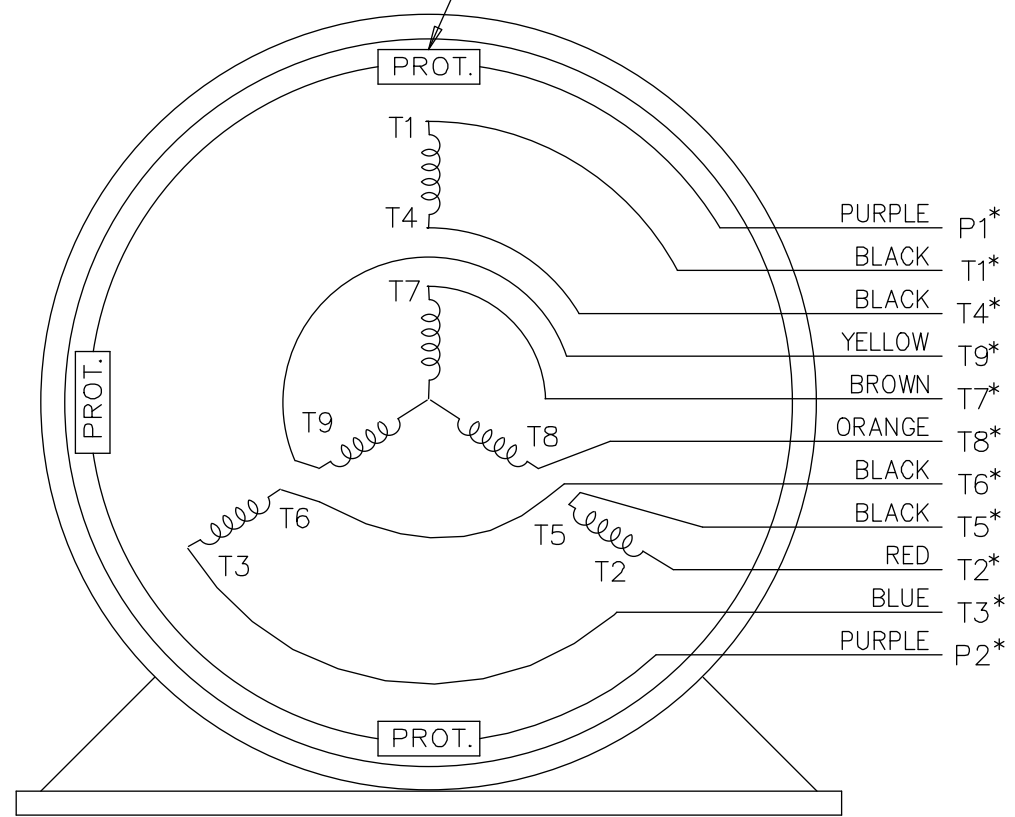


NOTE FOR FACTORY USE ONLY:  
 TO SURGE TEST FOR COMMON CONNECT:  
 HIGH VOLT: CONNECT P1 TO T1  
 THEN P2 TO L1  
 LOW VOLT: CONNECT P1 TO T1 & T7,  
 THEN P2 TO L1

LOW VOLTAGE



THREMO-PROTECTORS  
CONNECTED IN SERIES.



VIEW OF TERMINAL END

\* USE LEADS AS PER PLANT STANDARD IRRWSPECTIVE OF THEIR COLOUR.

NO.	REVISION	BY & DATE	CHK	ANG	TOLERANCES UNLESS SPECIFIED		FINISH	DRAWING NO.	PAGE	OF	REV.
					DEC.	INCHES					
05	ADDED * NOTE PER ECN # 26921	UD 01-30-2013	JD	DEC.	INCHES						
04	ADDED COLORS TO "T & P" LEADS CN 40494	MSG 08-08-2006	ML	.X	±.1						
03	RE-ISSUE	NJS 04-21-2004	JET	.XX	±.02						
02	REDRAWN	TAT 04-20-2004	ML	.XXX	±.005						
01	NEW DRAWING CN 34708	TJB 05-08-2002	ML	.XXXX	±.0005						
THIS DRAWING IN DESIGN AND DETAIL IS OUR PROPERTY AND MUST NOT BE USED EXCEPT IN CONNECTION WITH OUR WORK ALL RIGHTS OF DESIGN AND INVENTION ARE RESERVED THIS IS AN ELECTRONICALLY GENERATED DOCUMENT - DO NOT SCALE THIS PRINT							RFP	CAD FILE EE7308T_LE	SIZE A	DRAWING NO. EE7308T-LE	PAGE 05
							DIST LB-WP-LE				



ELECTRIC MOTORS  
GEARMOTORS  
AND DRIVES

TITLE CONNECTION DIAGRAM  
3 PHASE - DUAL VOLTAGE MOTOR

DRAWN	TJB	05-07-2002
CHK	ML	05-08-2002
APPD	TB	05-08-2002
SCALE	1=1	
REF		
FMF		
PREV		



P.O. BOX 8003  
WAUSAU, WI 54401-8003  
PH. 715-675-3311

DATA VOLTS: 460

CERTIFICATION DATA SHEET

CONN. DIAGRAM: A-EET7308T-LE  
OUTLINE: B-104197LE-631  
WINDING: ZT493

R6 3

CAT #: 117860.00

TYPICAL MOTOR PERFORMANCE DATA

HP	KW	SYNC RPM	FL RPM	FRAME	ENCLOSURE	TYPE	KVA CODE	DESIGN					
0.33	0.25	1800	1725	56C	EPNV	TTR	K	B					
PH	HZ	VOLTS	AMPS	START TYPE	DUTY	INSL	S.F.	AMB	ELEV.				
3	60/50	208-230/460#190/380	1.2-1.2/68.1/156	ACROSS THE LINE	CONT	B	1.15	40	3300				
	F.L. EFF	74.5	3/4 LD EFF	72.5	1/2 LD EFF	67.5	GTD EFF		ELECT. TYPE				
	F.L. PF	71.0	3/4 LD PF	64.0	1/2 LD PF	52.0	71.5		SO CAGE IND RUN				
	F.L. TORQUE	LR AMPS @ 460 V	L.R. TORQUE	3.0	LB-FT	300%	3.8	LB-FT	F.L. RISE (°C)				
	1.00	LB-FT	3.6						380%				
	35												
	PRESSURE @ 3	POWER	ROTOR WK²	MAX. LOAD WK²	SAFE STALL TIME	STARTS/HOUR	MOTOR WGT						
	60	DBA	69	DBA	0.04	LB-FT²	2	LB-FT²	15	SEC.	2	21	LB.

\*\*\* SUPPLEMENTAL INFORMATION \*\*\*

DE BRACKET TYPE	ODE BRACKET TYPE	MOUNT TYPE	MOTOR ORIENTATION	SEVERE DUTY	HAZARDOUS LOCATION	DRIIP COVER	SCREENS	PAINT
C-FACE	STANDARD	ROUND	HORIZONTAL	NO	DEF CL I GR C&D CL II GR	NO	NONE	IE-LEESON (ENAM)
BEARINGS DE	GREASE	SHAFT TYPE	SPECIAL DE	SPECIAL ODE	SHAFT MATERIAL	FRAME MATERIAL		
BALL 6203	POLYREX EM	STANDARD 56	NONE	NONE	1144 STRESSPROOF (C-223)	ROLLED STEEL		
THERMOSTATS TSTATS (N/C)	PROTECTORS	WDG RTD's	BRG RTD's	THERMISTORS	CONTROL	SPACE HEATERS		
	NOT	NONE	NONE	NONE	FALSE	NA		
R1 (ohms/ph)	R2 (ohms/ph)	X1 (ohms/ph)	X2 (ohms/ph)	Xm (ohms/ph)	VIBRATION (in/sec)	FLOAT ODE		
34.572	24.08	36.55	24.252	675.96	0.150			

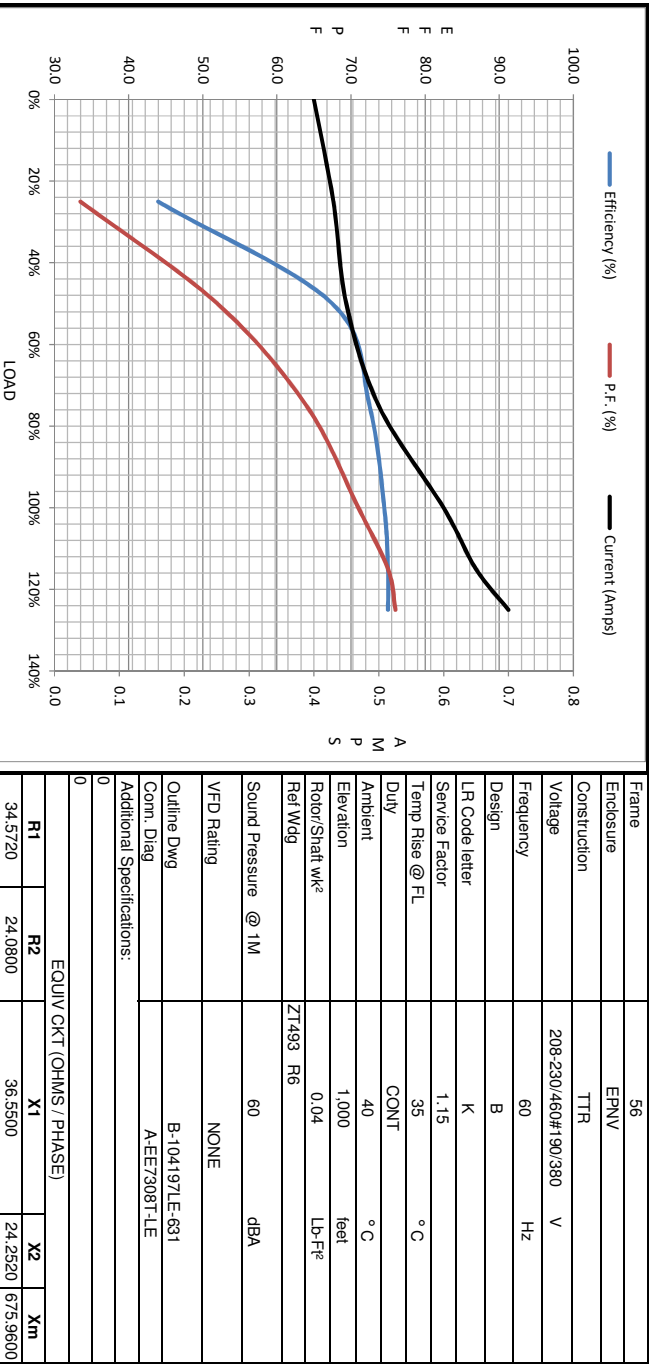
* NOT TESTED		INVERTER TORQUE: NONE	
		INV. HP SPEED RANGE: NONE	
		ENCODER: NONE	
		BRAKE: NONE	
		FT-LB: NONE	
		VOLTAGE: NONE	
		HZ: NONE	

DATE:	1/22/2018	UL: Y-(LEESON UL REC)
-------	-----------	-----------------------



Motor Load Data						
Load	0%	25%	50%	75%	100%	LR
Current (Amps)	0.40	0.43	0.45	0.50	0.60	3.6
Torque (ft-lb)	0.00	0.20	0.50	0.75	1.00	3.0
RPM	1800	1780	1750	1735	1725	0
Efficiency (%)		44.0	67.5	72.5	74.5	
P.F. (%)	21.0	33.5	52.0	64.0	71.0	74.5

Motor Speed Data						Information Block									
LR	Pull-Up	BD	Rated	Idle	HP	Sync. RPM	Frame	Enclosure	Construction	Voltage	Frequency	Design	LR Code letter	Service Factor	Temp Rise @ FL
0	320	1300	1725	1800	0.3	1800	56	EPNV	TTR	208-230/460#190/380	60	B	K	1.15	35
Current (Amps)	3.6	3.5	2.50	0.60											
Torque (ft-lb)	3.0	2.90	3.8	1.00											



HP	0.3
Sync. RPM	1800
Frame	56
Enclosure	EPNV
Construction	TTR
Voltage	208-230/460#190/380 V
Frequency	60 Hz
Design	B
LR Code letter	K
Service Factor	1.15
Temp Rise @ FL	35 °C
Duty	CONT
Ambient	40 °C
Elevation	1,000 feet
Rotor/Shaft wk <sup>2</sup>	0.04 LB-Ft <sup>2</sup>
Ref Wdg	ZT493 R6
Sound Pressure @ 1M	60 dBA
VFD Rating	NONE
Outline Dwg	B-104197LE-631
Conn. Diag	A-EE7308T-1E
Additional Specifications:	
0	
EQUIV CKT (OHMS / PHASE)	
R1	X1
34.5720	24.0800
R2	X2
24.0800	36.5500
X1	Xm
36.5500	24.2920
X2	
24.2920	67.59600

