

# PRODUCT INFORMATION PACKET



Model No: CZ6T17TK4D

Catalog No: 117907.00

..3/4HP..1725RPM.56HC.TENV.230/460V.3PH.60HZ.CONT.40C.1.15SF.RIGID C-FACE.CZ6T17TK4.....STAINLESS ENCAPSULATED W/SGRs.NONE.....

Encapsulated



Regal and Leeson are trademarks of Regal Beloit Corporation or one of its affiliated companies.

©2018 Regal Beloit Corporation, All Rights Reserved. MC017097E





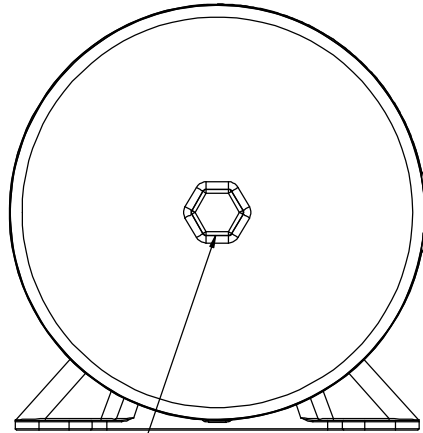
**Nameplate Specifications**

Output HP	<b>0.75 Hp</b>	Output KW	<b>0.56 kW</b>
Frequency	<b>60 Hz</b>	Voltage	<b>208-230/460 V</b>
Current	<b>2.4-2.3/1.2 A</b>	Speed	<b>1725 rpm</b>
Service Factor	<b>1.15</b>	Phase	<b>3</b>
Efficiency	<b>80 %</b>	Duty	<b>Continuous</b>
Insulation Class	<b>F</b>	Design Code	<b>B</b>
KVA Code	<b>L</b>	Frame	<b>56C</b>
Enclosure	<b>Totally Enclosed Non Ventilated</b>	Overload Protector	<b>No</b>
Ambient Temperature	<b>40 °C</b>	Drive End Bearing Size	<b>6205</b>
Opp Drive End Bearing Size	<b>6205</b>	UL	<b>Recognized</b>
CSA	<b>Y</b>	CE	<b>Y</b>
IP Code	<b>69</b>		

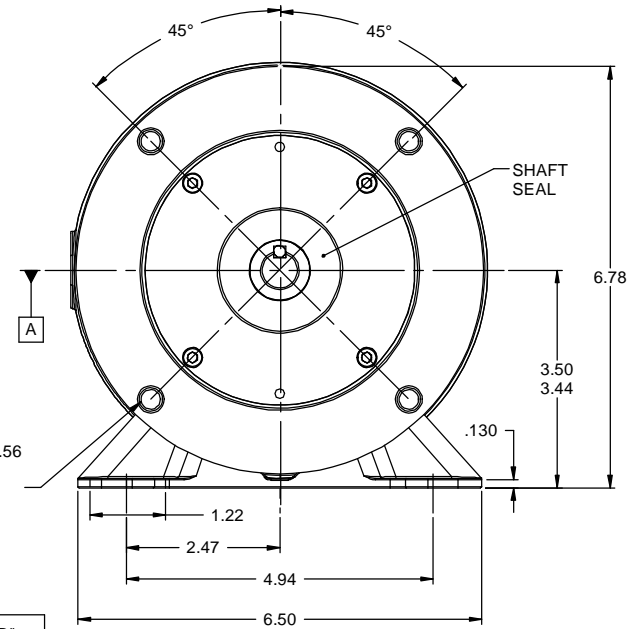
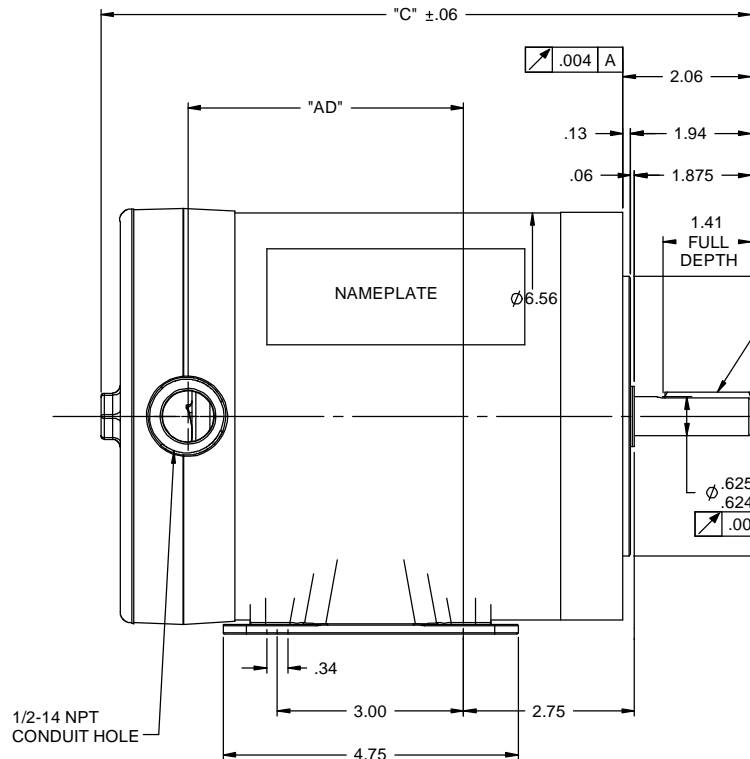
**Technical Specifications**

Electrical Type	<b>Squirrel Cage Induction Run</b>	Starting Method	<b>Across The Line</b>
Poles	<b>4</b>	Rotation	<b>Reversible</b>
Mounting	<b>Rigid base</b>	Motor Orientation	<b>HORIZONTAL</b>
Drive End Bearing	<b>BALL</b>	Opp Drive End Bearing	<b>BALL</b>
Frame Material	<b>Rolled Steel</b>	Shaft Type	<b>NEMA 56</b>
Overall Length	<b>11.47 in</b>	Frame Length	<b>6.25 in</b>
Shaft Diameter	<b>0.625 in</b>	Shaft Extension	<b>1.88 in</b>
Assembly/Box Mounting	<b>F1 ONLY</b>		
Outline Drawing	<b>028767-625</b>	Connection Diagram	<b>005010.52</b>

RBC PROPRIETARY AND CONFIDENTIAL INFORMATION  
 This document is the property of REGAL BELOIT CORPORATION ("RBC") including its subsidiaries and divisions and contains proprietary information of RBC. This document is loaned on the express condition that neither it nor the information contained therein shall be disclosed to others without the express written consent of RBC, and that the information shall be used by the recipient only as approved expressly by RBC. This document shall be returned to RBC upon its request. This document may be subject to certain restrictions under U.S. export control laws and regulations.



3/4" HEX DRIVER FOR COVER REMOVAL



(4) 3/8-16 UNC-2B X .56 DEEP ON A Ø5.875 B.C.

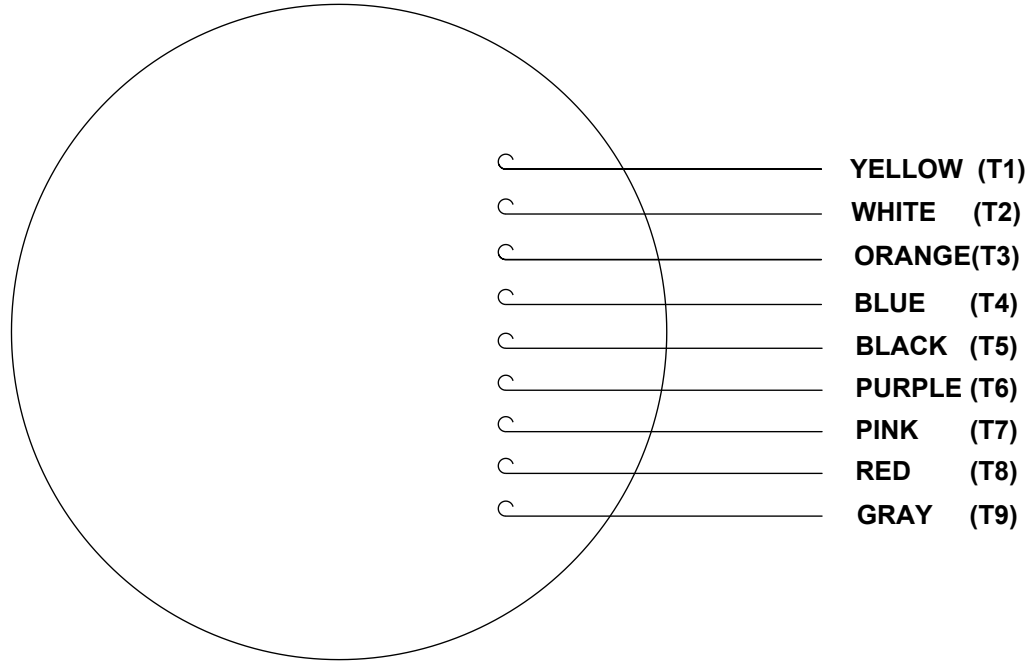
DASH NO	"C"	"AD"
525	10.47	4.44
550	10.72	4.69
575	10.97	4.94
600	11.22	5.19
625	11.47	5.44
650	11.72	5.69
675	11.97	5.94
700	12.22	6.19
725	12.47	6.44
750	12.72	6.69
775	12.97	6.94

TOLERANCES UNLESS SPECIFIED		DRAWN LST 9/9/09	
DEC	INCHES	CHK	
X	±.1	APPR	
XX	±.03	SCALE 1:2	
XXX	±.005	REF	
XXXX	±.0005	FMF	
NO	REVISION	BY & DATE	FINISH
			PREV
THIRD ANGLE PROJECTION		NETWORK FILE NAME	SIZE B
			DRAWING NO 028767
			PAGE OF

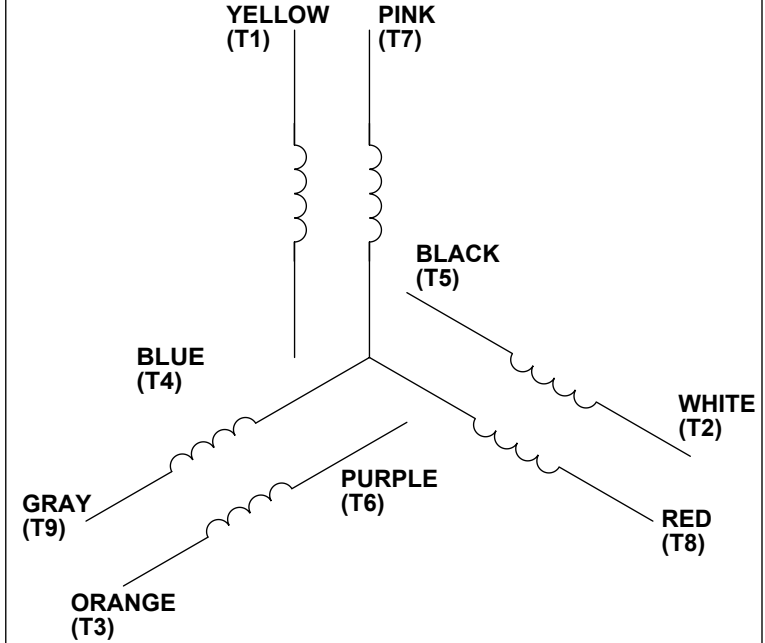


TITLE OUTLINE 56C FRAME  
 TENV RIGID "C"

VIEW FROM OUTSIDE OF MOTOR AT SWITCH END.



## LINE LEADS



VOLTAGE	L1	L2	L3	JOIN & INSULATE
HIGH	T1	T2	T3	(T4, T7) (T5, T8) (T6, T9)
LOW	T1, T7	T2, T8	T3, T9	T4, T5, T6

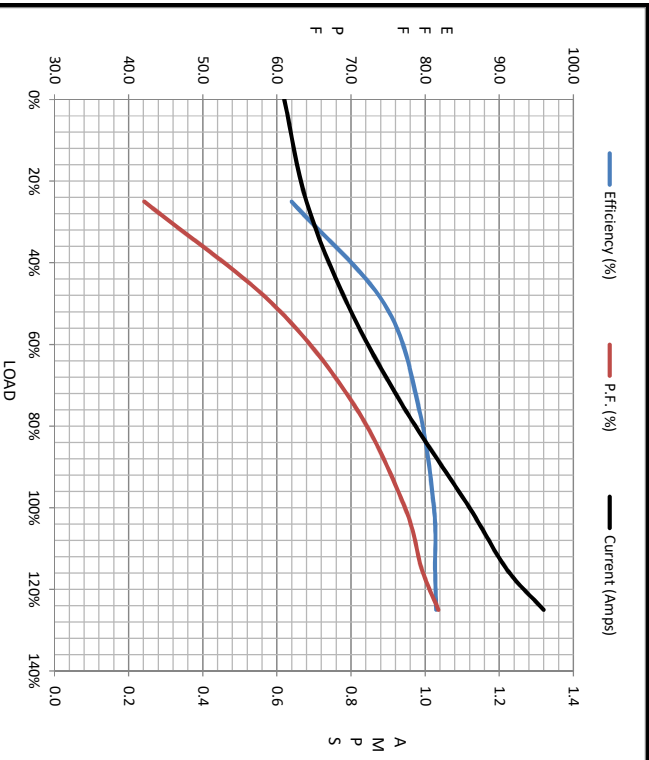
RBC PROPRIETARY AND CONFIDENTIAL INFORMATION  
This document is the property of REGAL BELOIT CORPORATION ("RBC") including its subsidiaries and divisions and contains proprietary information of RBC. This document is loaned on the express condition that neither it nor the information contained therein shall be disclosed to others without the express written consent of RBC, and that the information shall be used by the recipient only as approved expressly by RBC. This document shall be returned to RBC upon its request. This document may be subject to certain restrictions under U.S. export control laws and regulations.

DRAWING REVISION <b>C</b>	REVISION BY <b>PVR</b>	DATE <b>04/23/14</b>	TOLERANCES UNLESS OTHERWISE SPECIFIED:		DRAWN BY <b>LST</b>	Regal Beloit America, Inc.
ECO <b>ECO-0049985</b>	APPROVED BY <b>JD</b>	DATE <b>04/23/14</b>	DEC. $\pm 0.1$ [±2.5]	INCH $\pm 0.01$ [±0.25]	DATE <b>4/3/14</b>	
ECO DESCRIPTION <b>UPDATED PER ECO-0049985</b>			ANGLE $\pm 0.5^\circ$	XXX $\pm 0.005$ [±0.127]	APPROVED BY	DESCRIPTION <b>LEAD ASSY EXT. WIRING DIA. 3 PH. W/O PROT.</b>
<small>COPYRIGHT REGAL BELOIT AMERICA, INC. ALL RIGHTS RESERVED. PROPRIETARY AND CONFIDENTIAL INFORMATION - THIS DOCUMENT IS THE PROPERTY OF REGAL BELOIT AMERICA, INC. ("OWNER") AND CONTAINS OWNER'S PROPRIETARY INFORMATION. ANY PERSON, CORPORATION OR OTHER FIRM RECEIVING IT IS DEEMED, BY RECEIVING IT, TO AGREE THAT IT, AND/OR ANY PART OF IT, SHALL NOT BE DISCLOSED TO ANY PERSON, CORPORATION OR OTHER ENTITY, DUPLICATED, AND/OR USED, EXCEPT AS EXPRESSLY APPROVED IN WRITING IN ADVANCE BY OWNER. THIS DOCUMENT SHALL BE RETURNED TO OWNER UPON REQUEST. IT MAY BE SUBJECT TO CERTAIN RESTRICTIONS UNDER APPLICABLE EXPORT CONTROL LAWS AND REGULATIONS.</small>			<small>REMOVE BURRS &amp; BREAK SHARP EDGES: .003/.015 [.076/.381] CORNER FILLETS: .02 [.51] MACHINED SURFACES: <math>\frac{125}{\text{INCH}} \sqrt{\frac{3.2}{\text{mm}}}</math></small>		DATE	MATERIAL
			mm SHOWN IN [BRACKETS]		PROCESS/FINISH	THIRD ANGLE PROJECTION



Motor Load Data									
Load	0%	25%	50%	75%	100%	115%	125%	LR	
Current (Amps)	0.62	0.68	0.79	0.94	1.12	1.22	1.32	9.1	
Torque (ft-lb)	0.00	1.43	2.85	4.29	5.77	10.434	7.26	1,772	
RPM	1800	1788	1777	1765	1753	1,748	1,740	0	
Efficiency (%)		62.0	74.5	79.1	81.2	81.4	81.5	81.5	
P.F. (%)	17.0	42.1	59.4	70.5	77.3	79.6	81.8	0.0	

Motor Speed Data						Information Block																											
Speed (RPM)	LR	Pull-Up	BD	Rated	Idle	HP	Sync. RPM	Frame	Enclosure	Construction	Voltage	Frequency	Design	LR Code letter	Service Factor	Temp Rise @ FL	Duty	Ambient	Elevation	Rotor/Shaft wk <sup>2</sup>	Ref Wdg	Sound Pressure @ 1M	VFD Rating	Outline Dwg	Conn. Diag	Additional Specifications:	EQUIV CKT (OHMS / PHASE)	R1	R2	X1	X2	Xm	
0		129	1314	1753	1800	0.8	1800	140	TENV	NA	208-230/460#190/380	60	B	L	1.15	82	CONT	40	1,000	0.11	T634252 NR	999	NONE	028767-625	005010.52		0.0000	0.0000	0.0000	0.0000	0.0000		
Current (Amps)	9.1	9.1	5.5	1.12	0.62																												
Torque (ft-lb)	1,772	1,671	2,384	577	0.00																												



Efficiency (%)	P.F. (%)	Current (Amps)
0.62	0.17	0.62
0.68	0.42	0.68
0.79	0.59	0.79
0.94	0.70	0.94
1.12	0.81	1.12
1.22	0.81	1.22
1.32	0.81	1.32
1.43	0.81	1.43
2.85	0.81	2.85
4.29	0.81	4.29
5.77	0.81	5.77
10.434	0.81	10.434
7.26	0.81	7.26
1,772	0.81	1,772
0	0.81	0
1,748	0.81	1,748
1,740	0.81	1,740
81.5	0.81	81.5
81.5	0.81	81.5
81.5	0.81	81.5

