

# PRODUCT INFORMATION PACKET



Model No: 215TBDW17041AA

Catalog No: 140830.00

..7 1/2HP..1725RPM.215.DPAO.V.1PH.60HZ.CONT.80C..RIGID.215TBDW17041AA.....NOT.....

Tobacco Barn



Regal and Leeson are trademarks of Regal Beloit Corporation or one of its affiliated companies.

©2018 Regal Beloit Corporation, All Rights Reserved. MC017097E



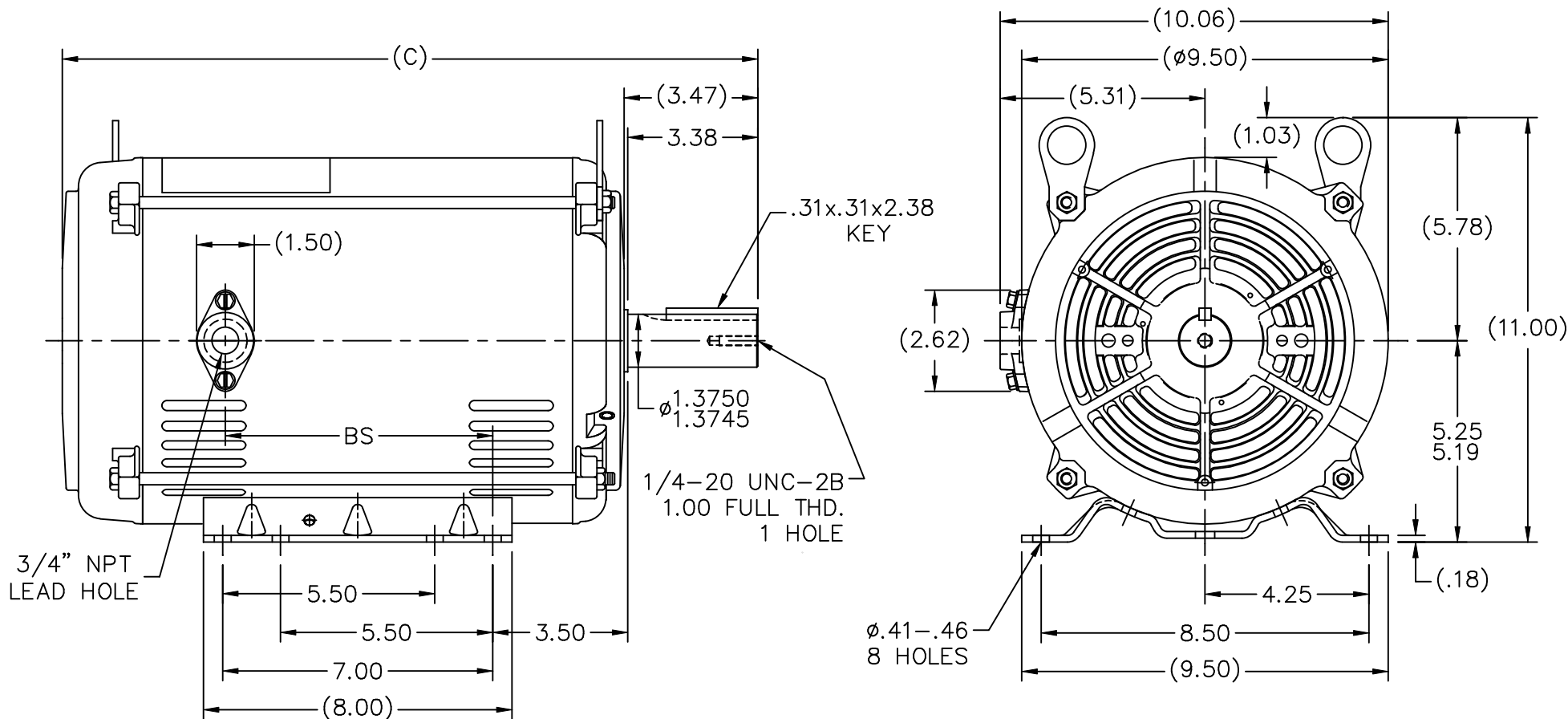


### Nameplate Specifications

Output HP	<b>7.50 Hp</b>	Output KW	<b>5.6 kW</b>
Frequency	<b>60 Hz</b>	Voltage	<b>230 V</b>
Current	<b>34.5 A</b>	Speed	<b>1733 rpm</b>
Service Factor	<b>1.15</b>	Phase	<b>1</b>
Efficiency	<b>84 %</b>	Duty	<b>Continuous</b>
Insulation Class	<b>H</b>	Design Code	<b>L</b>
KVA Code	<b>G</b>	Frame	<b>215TVZ</b>
Enclosure	<b>Drip Proof Air Over</b>	Overload Protector	<b>No</b>
Ambient Temperature	<b>80 °C</b>	Drive End Bearing Size	<b>309</b>
Opp Drive End Bearing Size	<b>206</b>	UL	<b>Recognized</b>
CSA	<b>Y</b>	CE	<b>N</b>
IP Code	<b>22</b>		

### Technical Specifications

Electrical Type	<b>Capacitor Start Capacitor Run</b>	Starting Method	<b>Across The Line</b>
Poles	<b>4</b>	Rotation	<b>Selective Counterclockwise</b>
Mounting	<b>Rigid base</b>	Motor Orientation	<b>SHAFT UP</b>
Drive End Bearing	<b>BALL</b>	Opp Drive End Bearing	<b>BALL</b>
Frame Material	<b>Rolled Steel</b>	Shaft Type	<b>Single Special Extension</b>
Overall Length	<b>18.04 in</b>	Frame Length	<b>11.15 in</b>
Shaft Diameter	<b>1.375 in</b>	Shaft Extension	<b>3.38 in</b>
Assembly/Box Mounting	<b>W8</b>		
Outline Drawing	<b>A-SS89672LE-1115</b>	Connection Diagram	<b>A-EE9048LV-LE</b>

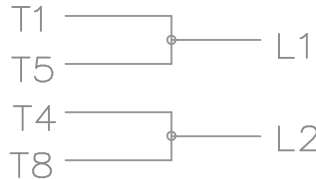


1115	213/215T	18.04	8.18
1240	215T	19.29	8.18
DASH	FRAME	C	BS

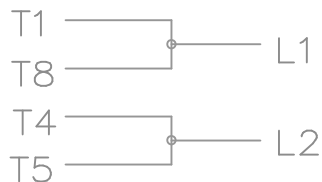
NOTES:  
1. NAMEPLATE TO BE READ FROM LEAD EXIT SIDE OF MOTOR.

		TOLERANCES UNLESS SPECIFIED		LEESON	ELECTRIC MOTORS GEARMOTORS AND DRIVES	DRAWN AK 05/07/2009					
		DEC.	INCHES			CHK	SVL	05/07/2009			
		.X	±.1	TITLE OUTLINE - SINGLE PHASE 210T FR. - BB - SS - DRIP PROOF		APPD	SVL 05/07/2009				
		.XX	±.03			SCALE	1=4				
		.XXX	±.005			REF	SS87033				
		.XXXX	±.0005			FMF	MU92311				
NO.	REVISION	BY & DATE	CHK	ANG	±7'30"	FINISH	PREV				
THIS DRAWING IN DESIGN AND DETAIL IS OUR PROPERTY AND MUST NOT BE USED EXCEPT IN CONNECTION WITH OUR WORK ALL RIGHTS OF DESIGN AND INVENTION ARE RESERVED THIS IS AN ELECTRONICALLY GENERATED DOCUMENT - DO NOT SCALE THIS PRINT				RFP	CAD FILE	ss89672le	SIZE	DRAWING NO.	PAGE	OF	REV.
				DIST			A	SS89672LE			

C.W. ROTATION

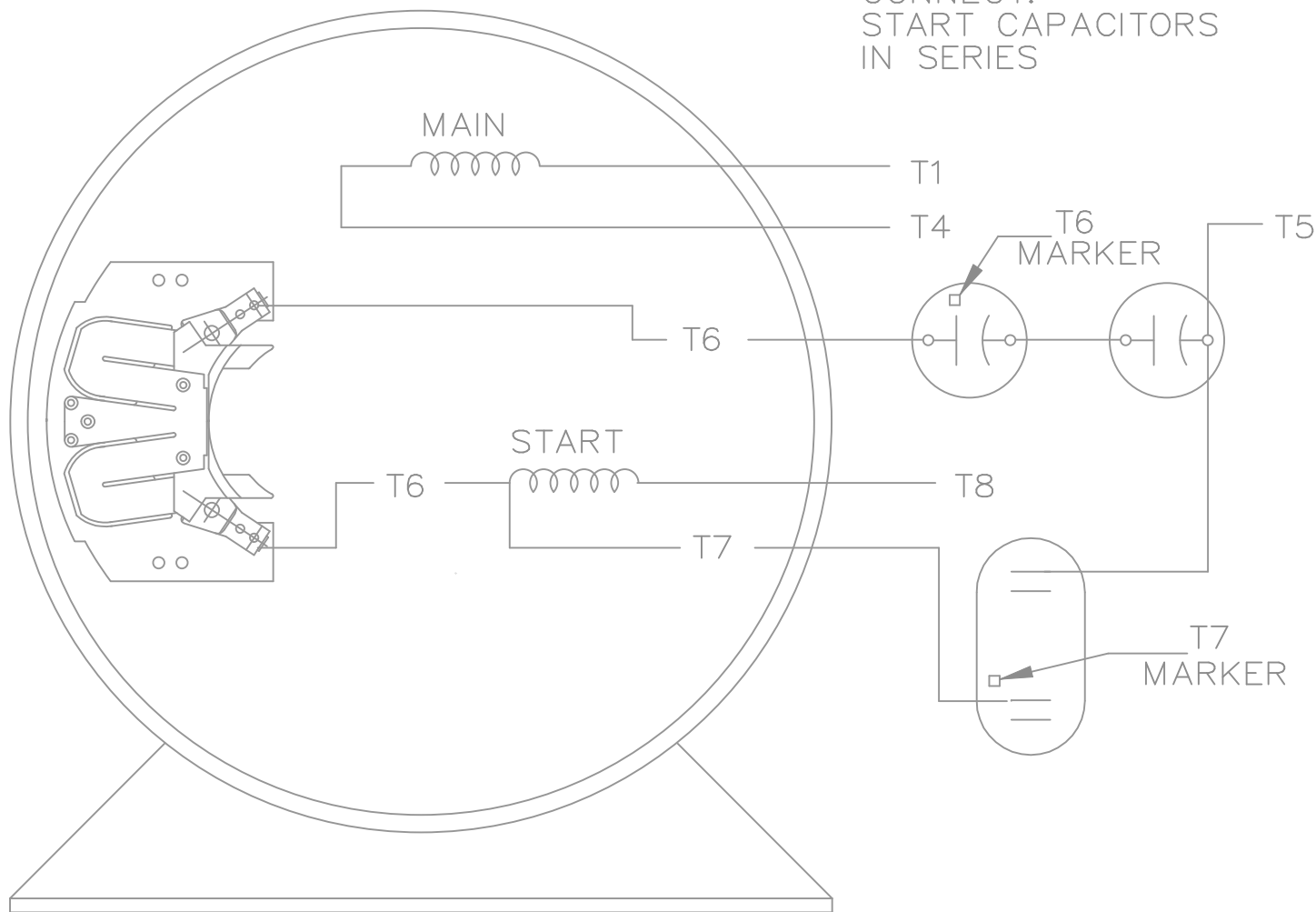


C.C.W. ROTATION




SINGLE VOLTAGE  
CAPACITOR START  
CAPACITOR RUN  
REVERSIBLE

CONNECT:  
START CAPACITORS  
IN SERIES



VIEW OF TERMINAL END

			TOLERANCES UNLESS SPECIFIED		 ELECTRIC MOTORS GEARMOTORS AND DRIVES	DRAWN RJM 07-25-2002	
			DEC.	INCHES		CHK	
			.X	±.1		APPD	
			.XX	±.02		SCALE 1=1	
			.XXX	±.005		REF	
1	NEW DRAWING - DES/DEV	RJM	.XXXX	±.0005	MAT'L.	FMF	
NO.	REVISION	BY & DATE	CHK	ANG	±7'30"	FINISH	PREV
THIS DRAWING IN DESIGN AND DETAIL IS OUR PROPERTY AND MUST NOT BE USED EXCEPT IN CONNECTION WITH OUR WORK ALL RIGHTS OF DESIGN AND INVENTION ARE RESERVED THIS IS AN ELECTRONICALLY GENERATED DOCUMENT - DO NOT SCALE THIS PRINT			RFP	CAD FILE EE9048LV-LE		SIZE	DRAWING NO. PAGE OF REV.
			DIST	LB		A	EE9048LV-LE 1



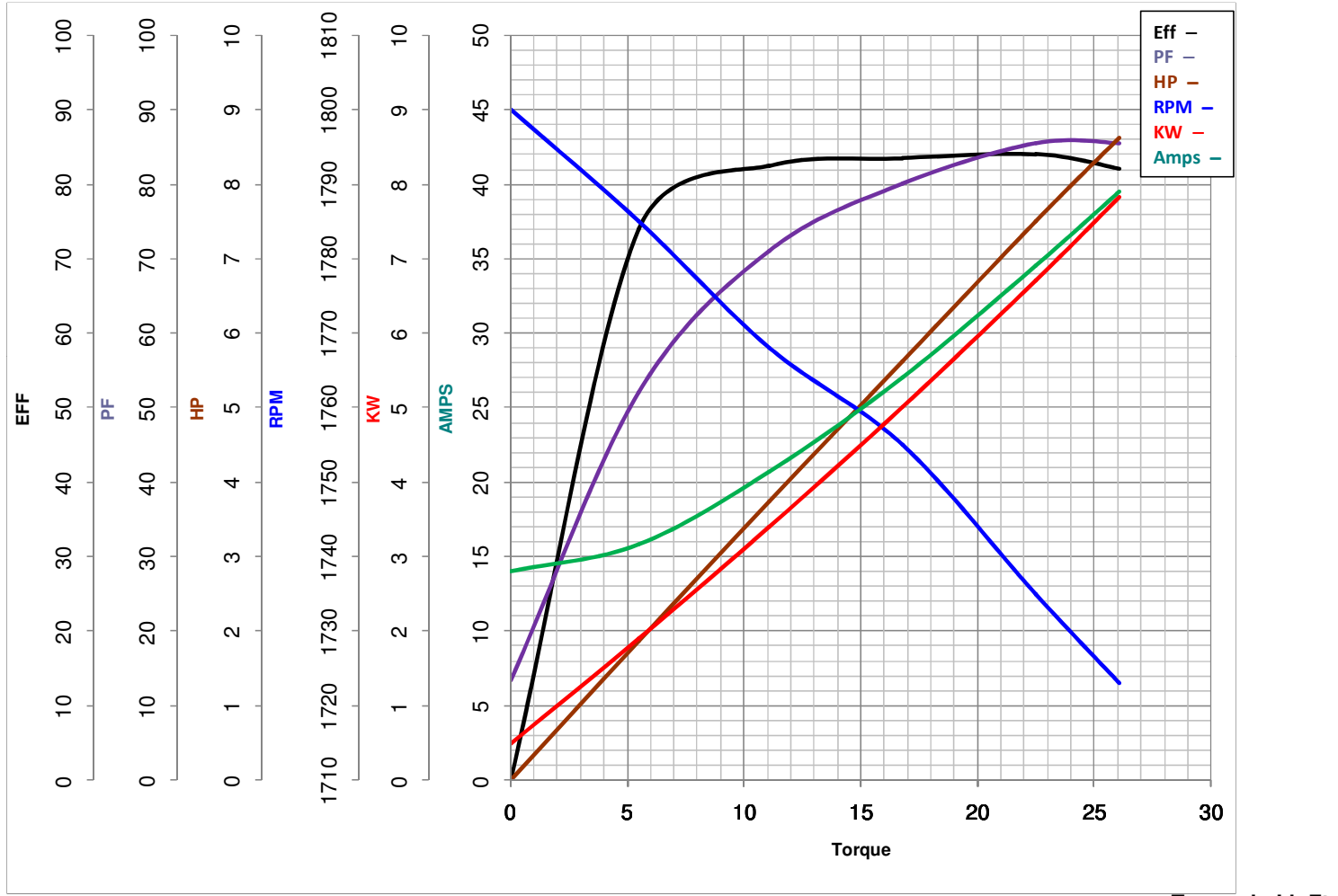
**LEESON ELECTRIC CORPORATION**  
 TYPICAL PERFORMANCE CURVE for AC MOTOR

Model No 140830.00

Catalog No 140830.00

Curve at 230 Volts      HP 7.50      PHASE 1  
60 HZ  
7.5 HP      VOLTS 230

HZ 60      RPM 1733



FL TORQUE	<u>22.5</u>	Lb.Ft	FL AMPS	<u>34.5</u>	
BD TORQUE	<u>51.5</u>	Lb.Ft	PU TORQUE	<u>38.3</u>	Lb.Ft
LR TORQUE	<u>45</u>	Lb.Ft	LR AMPS	<u>200</u>	
WINDING	BK104117-2		Date	<u>3/21/2018</u>	