

8 7 6 5 4 3 2 1

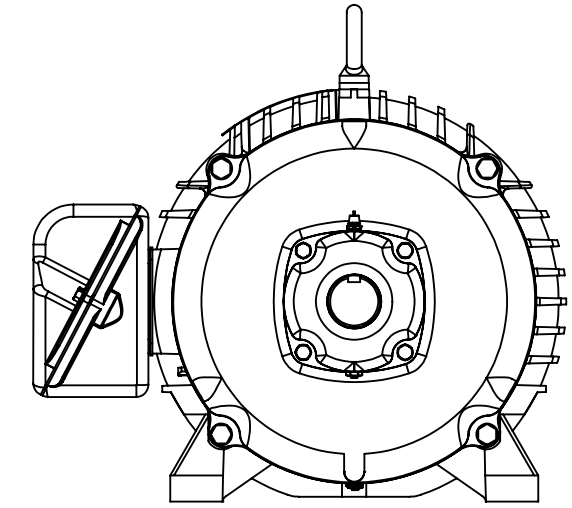
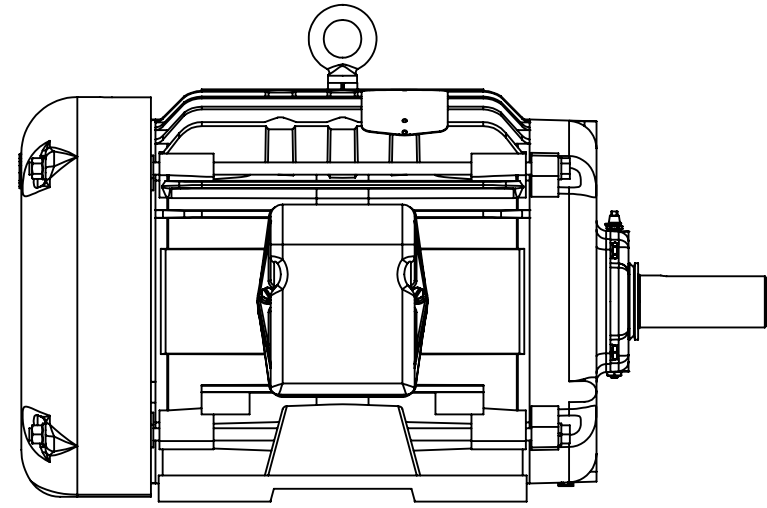
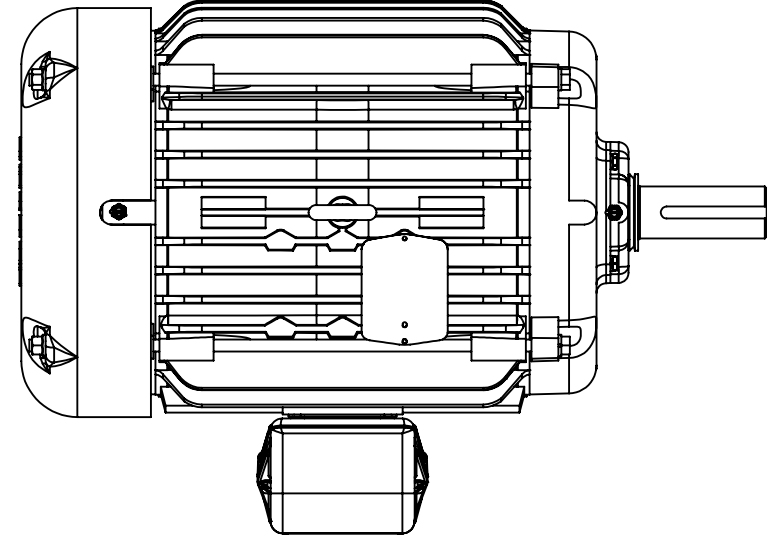
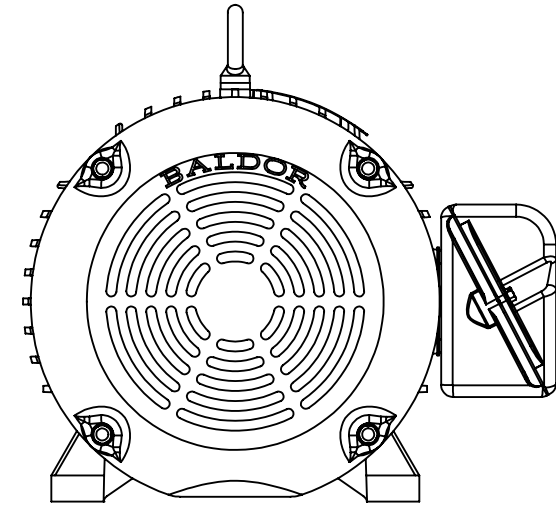
09LYP011

D

C

B

A



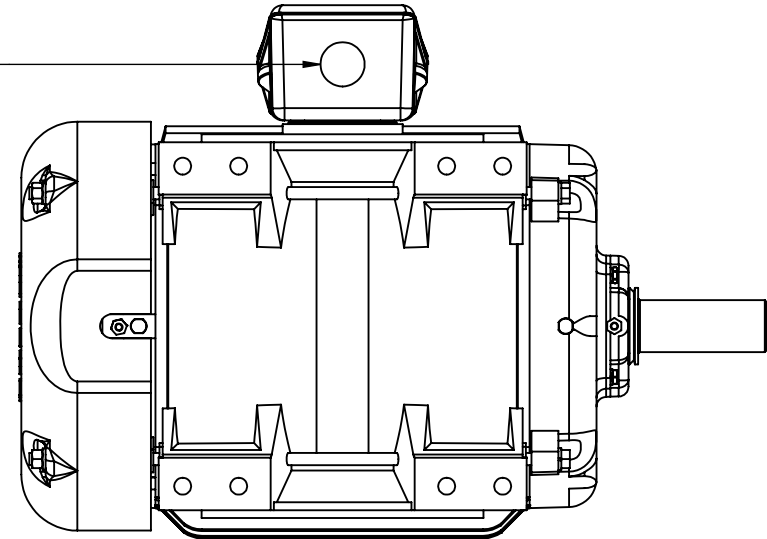
D

C

B

A

Ø 1.38



CUSTOMER IS RESPONSIBLE FOR DETERMINING THAT THE PRODUCT WILL PERFORM SUITABLY IN THE INTENDED APPLICATION

REV. DESC: LOADED TO SOLIDWORKS, WITH PARAMETERS			
REV: P	VERSION: 09	REVISED: 11:09:24 05/18/2018	TDR: 000001066134
MODEL NO. 09LYP011			REF: -
BY: USARSMII			B

BALDOR - RELIANCE®

HORZ TEFC 254-6T SUPER-E

09LYP011

8 7 6 5 4 3 2 1